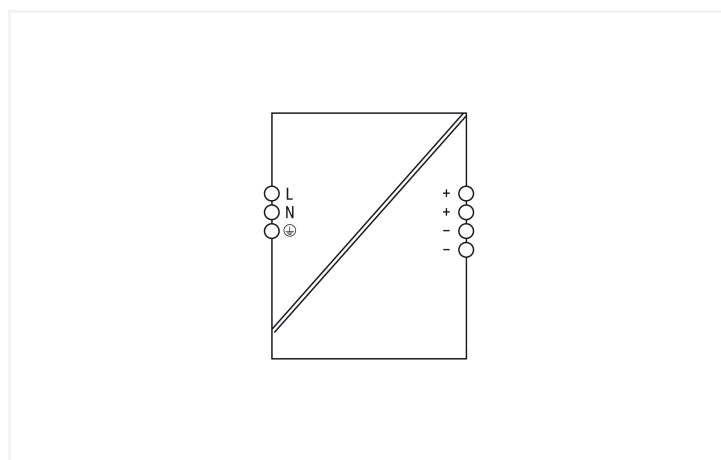


Data Sheet | Item Number: 2587-2146

Switched-mode power supply; Base; 1-phase; 24 VDC output voltage; 10 A output current; DC-OK LED

<https://www.wago.com/2587-2146>



Similar to illustration

Features:

- Visual status indicator
- Suitable for parallel and series operation
- Self-cooling via natural convection in horizontal mounting position
- Connection technology with push-in termination
- Electrically isolated output voltage (SELV) per EN 62368-1/UL 61010-1

Technical data

Input	
Phases	1
Nominal input voltage $U_{i, \text{nom}}$	1 x 100 ... 240 VAC
Input voltage range	1 x 90 ... 264 VAC (Derating -1 %/V for voltage < 100 VAC)
Nominal mains frequency range	50 Hz / 60 Hz
Input current I_i	≤ 3.5 A
Inrush current	≤ 15 A (at 230 VAC / 25 °C)
Power factor correction (PFC)	Active
Mains failure hold-up time	≥ 22 ms (230 VAC)

Output	
Nominal output voltage $U_{o, \text{nom}}$	24 VDC (SELV)
Output voltage range	23.5 ... 28 VDC (adjustable)
Default Setting	24 VDC
Nominal output current $I_{o, \text{nom}}$	10 A (24 VDC)
Nominal output power	240 W
Deviation	≤ 1 %
Residual ripple	≤ 100 mV (peak-to-peak)
Overload behavior	Shutdown and automatic restart in the event of a short circuit

Signaling and Communication

Signaling	Optical status indication (DC OK)
-----------	-----------------------------------

Efficiency/Power Losses

Power loss P_1	≤ 5 W (230 VAC; no load); ≤ 24.6 W (230 VAC; nominal load)
Efficiency (typ.)	91 %

Safety and protection

Isolation voltage (pri.-sec., AC)	3510 V
Isolation voltage (pri.-PE, AC)	2210 V
Protection class	I
Protection type	IP20; per EN 60529
Overtoltage category	III (≤ 2000 m); II (> 2000 m)
Pollution degree	2
Short-circuit-protected	Yes
Open-circuit-proof	Yes
Parallel operation	Yes
Series operation	Yes
MTBF	$> 1,000,000$ h (at 25 °C; per IEC 61709; SN 29500)

Connection Data

Connection 1

Connection type	Input/output
Connection technology	Push-in CAGE CLAMP®
WAGO connector	WAGO 2624 Series
Solid conductor	0.2 ... 6 mm ² / 24 ... 10 AWG
Fine-stranded conductor	0.2 ... 6 mm ² / 24 ... 10 AWG
Fine-stranded conductor; with insulated ferrule	0.25 ... 2.5 mm ²
Fine-stranded conductor; with uninsulated ferrule	0.25 ... 2.5 mm ²
Strip length	10 ... 12 mm / 0.39 ... 0.47 inches

Physical data

Width	52 mm / 2.05 inches
Height	125 mm / 4.92 inches
Depth from upper-edge of DIN-rail	117 mm / 4.61 inches

Mechanical data

Mounting type	DIN-35 rail
---------------	-------------

Material data

Fire load	0 MJ
Weight	752 g

Environmental requirements

Ambient temperature (operation)	-30 ... +70 °C (Device starts at -40 °C (type-tested))
Ambient temperature (storage)	-40 ... +85 °C
Relative humidity	5 ... 96 % (no condensation permissible)
Derating	-4.8 W/°C (> 45 °C and < 200 V); -4.8 W/°C (> 50 °C and ≥ 200 V)
Climatic category	3K3 (per EN 60721)
Operating altitude (max.)	5000 m

Standards and Specifications

Conformity marking	CE
Standards/specifications	EN 62368-1 EN 55032 EN 55035 EN IEC 61000-3-2 EN 61000-3-3 EN IEC 61000-6-4 EN IEC 61000-6-2 UL 61010-1 UL 61010-2-201 SEMI F47 EN 61558-2-16

Commercial data

PU (SPU)	1 pcs
Packaging type	Box
Country of origin	CN
GTIN	4066966626490
Customs tariff number	85044083900

Product Classification

UNSPSC	39121004
ETIM 9.0	EC002540
ETIM 10.0	EC002540
ECCN	NO US CLASSIFICATION

Environmental Product Compliance

RoHS Compliance Status	Compliant, No Exemption
------------------------	-------------------------

Approvals / Certificates

General approvals



Approval	Standard	Certificate Name
UL Underwriters Laboratories Inc.	UL 61010-2-201	E255817

Declarations of conformity and manufacturer's declarations

Approval	Standard	Certificate Name
EU-Declaration of Confor- mity WAGO GmbH & Co. KG	-	-
MFD for SEMI F47 WAGO GmbH & Co. KG	-	-
UK-Declaration of Confor- mity WAGO GmbH & Co. KG	-	-

Downloads

Environmental Product Compliance

Compliance Search

Environmental Product Compliance 2587-2146



Documentation

Bid Text

2587-2146	14.04.2025	docx 45.15 KB	
2587-2146	14.04.2025	x81 7.13 KB	

Instruction Leaflet

Power Supply BASE	V 4.0.0 28.08.2025	pdf 734.73 KB	
-------------------	-----------------------	------------------	--

CAD/CAE-Data

CAD data

2D/3D Models
2587-2146



1 Compatible Products

1.1 Optional Accessories

1.1.1 General accessories

1.1.1.1 Electronic circuit breaker



Item No.: 787-3664

Electronic circuit breaker; 4-channel; 24 VDC input voltage; adjustable 1 ... 10 A; Signal contact



Item No.: 787-3668

Electronic circuit breaker; 8-channel; 24 VDC input voltage; adjustable 1 ... 10 A; Signal contact

1.1.2 Tool

1.1.2.1 Operating tool



Item No.: 210-719

Operating tool; Blade: 2.5 x 0.4 mm; with a partially insulated shaft



Item No.: 210-720

Operating tool; Blade: 3.5 x 0.5 mm; with a partially insulated shaft; multicoloured



Item No.: 210-721

Operating tool; Blade: 5.5 x 0.8 mm; with a partially insulated shaft; multicoloured