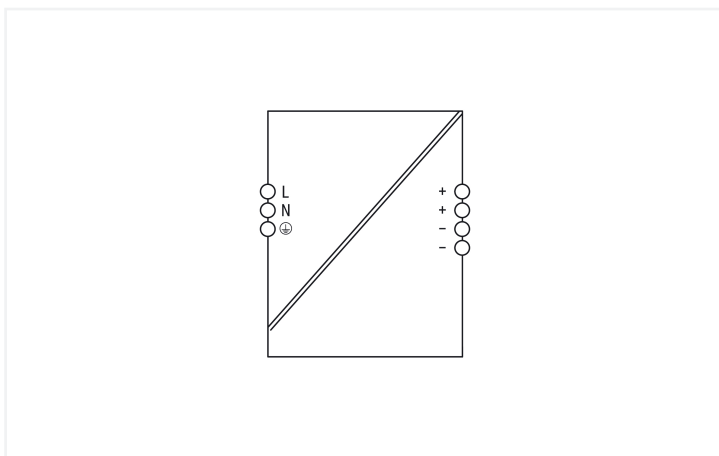


Data Sheet | Item Number: 2587-2144

Switched-mode power supply; Base; 1-phase; 24 VDC output voltage; 5 A output current; DC-OK LED

<https://www.wago.com/2587-2144>



Features:

- Visual status indicator
- Suitable for parallel and series operation
- Self-cooling via natural convection in horizontal mounting position
- Connection technology with push-in termination
- Electrically isolated output voltage (SELV) per EN 62368-1/UL 61010-1

Technical data

Input		Output	
Phases	1	Nominal output voltage $U_{o\text{nom}}$	24 VDC (SELV)
Nominal input voltage $U_{i\text{nom}}$	1 x 100 ... 240 VAC	Output voltage range	23.5 ... 28 VDC (adjustable)
Input voltage range	1 x 90 ... 264 VAC (Derating -1 %/V for voltage < 100 VAC)	Default Setting	24 VDC
Nominal mains frequency range	50 Hz / 60 Hz	Nominal output current $I_{o\text{nom}}$	5 A (24 VDC)
Input current I_i	≤ 4 A	Nominal output power	120 W
Inrush current	≤ 35 A (at 230 VAC / 25 °C)	Deviation	≤ 1 %
Power factor correction (PFC)	Passive	Residual ripple	≤ 100 mV (peak-to-peak)
Mains failure hold-up time	≥ 50 ms (230 VAC)	Overload behavior	Shutdown and automatic restart in the event of a short circuit

Signaling and Communication

Signaling	Optical status indication (DC OK)
-----------	-----------------------------------

Efficiency/Power Losses

Power loss P_i	≤ 5 W (standby); ≤ 16.8 W (Full load)
Efficiency (typ.)	88 %

Circuit Protection

Internal fuse	T 5 A / 250 V
---------------	---------------

Safety and protection

Isolation voltage (pri.-sec., AC)	3510 V
Isolation voltage (pri.-PE, AC)	2210 V
Protection class	I
Protection type	IP20; per EN 60529
Overvoltage category	III (≤ 2000 m); II (> 2000 m)
Pollution degree	2
Short-circuit-protected	Yes
Open-circuit-proof	Yes
Parallel operation	Yes
Series operation	Yes
MTBF	> 1,000,000 h (at 25 °C; per IEC 61709; SN 29500)

Connection Data

Connection 1	
Connection type	Input/output
Connection technology	Push-in CAGE CLAMP®
WAGO connector	WAGO 2624 Series
Solid conductor	0.2 ... 6 mm ² / 24 ... 10 AWG
Fine-stranded conductor	0.2 ... 6 mm ² / 24 ... 10 AWG
Fine-stranded conductor; with insulated ferrule	0.25 ... 2.5 mm ²
Fine-stranded conductor; with uninsulated ferrule	0.25 ... 2.5 mm ²
Strip length	10 ... 12 mm / 0.39 ... 0.47 inches

Physical data

Width	35 mm / 1.38 inches
Height	125 mm / 4.92 inches
Depth from upper-edge of DIN-rail	110 mm / 4.33 inches

Mechanical data

Mounting type	DIN-35 rail
---------------	-------------

Material data

Fire load	0 MJ
Weight	470 g

Environmental requirements

Ambient temperature (operation)	-30 ... +70 °C (Device starts at -40 °C (type-tested))
Ambient temperature (storage)	-40 ... +85 °C
Relative humidity	5 ... 96 % (no condensation permissible)
Derating	-2.4 W/°C (> 45 °C and < 200 V); -2.4 W/°C (> 50 °C and ≥ 200 V)
Climatic category	3K3 (per EN 60721)
Operating altitude (max.)	5000 m

Standards and Specifications

Conformity marking	CE
Standards/specifications	EN 62368-1 EN 55032 EN 55035 EN IEC 61000-3-2 EN 61000-3-3 EN IEC 61000-6-4 EN IEC 61000-6-2 UL 61010-1 UL 61010-2-201 SEMI F47 EN 61558-2-16

Commercial data

PU (SPU)	1 pcs
Packaging type	Box
Country of origin	CN
GTIN	4066966626483
Customs tariff number	85044083900

Product Classification

UNSPSC	39121004
ETIM 9.0	EC002540
ETIM 10.0	EC002540
ECCN	NO US CLASSIFICATION

Environmental Product Compliance

RoHS Compliance Status Compliant, No Exemption

Approvals / Certificates

General approvals



Approval	Standard	Certificate Name
UL Underwriters Laboratories Inc.	UL 61010-2-201	E255817

Declarations of conformity and manufacturer's declarations

Approval	Standard	Certificate Name
EU-Declaration of Confor- mity WAGO GmbH & Co. KG	-	-
MFD for SEMI F47 WAGO GmbH & Co. KG	-	-
UK-Declaration of Confor- mity WAGO GmbH & Co. KG	-	-

Downloads

Environmental Product Compliance

Compliance Search	
Environmental Product Compliance 2587-2144	↓

Documentation

Bid Text			
2587-2144	14.04.2025	docx 45.37 KB	↓
2587-2144	14.04.2025	x81 7.20 KB	↓

Instruction Leaflet			
Power supply BASE	V 4.0.0 28.08.2025	pdf 724.37 KB	↓

CAD/CAE-Data

CAD data	
2D/3D Models 2587-2144	↓

1 Compatible Products

1.1 Optional Accessories

1.1.1 General accessories

1.1.1.1 Electronic circuit breaker



Item No.: 787-3664

Electronic circuit breaker; 4-channel; 24 VDC input voltage; adjustable 1 ... 10 A; Signal contact

Item No.: 787-3668

Electronic circuit breaker; 8-channel; 24 VDC input voltage; adjustable 1 ... 10 A; Signal contact

1.1.2 Tool

1.1.2.1 Operating tool



Item No.: 210-719

Operating tool; Blade: 2.5 x 0.4 mm; with a partially insulated shaft

Item No.: 210-720

Operating tool; Blade: 3.5 x 0.5 mm; with a partially insulated shaft; multicoloured

Item No.: 210-721

Operating tool; Blade: 5.5 x 0.8 mm; with a partially insulated shaft; multicoloured