

## Conix Tilt Downlight

This addition to the Conix range adds tilt function to the features, including a 3CCT color temperature adjustment and increased luminous efficacy of 120lm/w. It retains the Conix product-family's characteristics with elegant looks no visible screws and seamless ceiling integration. The lamp body is crafted from die-cast and thermally conductive plastic, ensures excellent heat dissipation. Utilizing SMD chips along with lens optics results in great controlled light output and bespoke lighting for tastefully designed interiors.



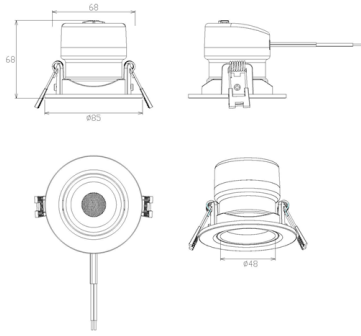
### COLOUR SELECT

- IC-4 - Can be covered with insulation material directly
- 30° tilt - Accent lighting or create "scallop lighting" on your walls
- CCT Adjust - 3000K/4000K/5700K for your chosen ambience  
70mm and 90mm cutout sizes available

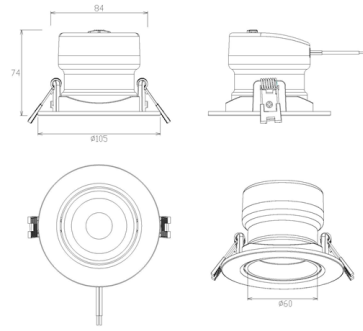
80	IP50	IK03	6SDCM	-20 to 40	Phase	54,000hrs (L70/B10) @ 40°C	3 Years	Symmetric	IC-4
CRI	Ingress Protection Rating	Impact Rating	MacAdam Steps	Operating Temperature	Dimming	Lifetime	Warranty	Beam Distribution	IC Rated

CODE	SYSTEM POWER	EXIT LUMEN	EFFICACY	DIMENSIONS	LUMINAIRE COLOUR	WEIGHT	LINE CURRENT
CNXTLT5WCCTD70B	5W	580lm	116lm/W	L85 x W85 x H68 mm	Black	0.17kg	0.02A
		570lm					
		570lm					
		510lm					
CNXTLT5WCCTD70W	5W	606lm	121lm/W	L85 x W85 x H68 mm	White	0.17kg	0.02A
		606lm					
		603lm					
		540lm					
CNXTLT7WCCTD90B	7W	869lm	124lm/W	L105 x W105 x H74 mm	Black	0.21kg	0.03A
		860lm					
		850lm					
		760lm					
CNXTLT7WCCTD90W	7W	892lm	127lm/W	L105 x W105 x H74 mm	White	0.21kg	0.03A
		890lm					
		880lm					
		790lm					

Line Drawings



CNXTLT5WCCTD70W, CNXTLT5WCCTD70B



CNXTLT7WCCTD90W, CNXTLT7WCCTD90B

Product Images



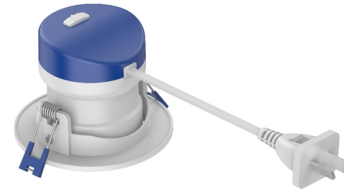
CNXTLT7WCCTD90B, CNXTLT5WCCTD70B



CNXTLT5WCCTD70B, CNXTLT7WCCTD90B



CNXTLT5WCCTD70W, CNXTLT7WCCTD90W



CNXTLT7WCCTD90W, CNXTLT5WCCTD70W