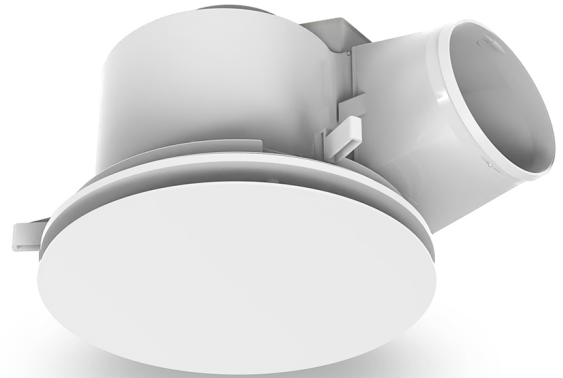


Ventura

High velocity DC exhaust fan

- DC motor for high airflow with low power use
- Low noise design for a peaceful bathroom
- High airflow performance to clear steam and odours
- Modern matt white fascia with slim profile
- Removable fascia for easy cleaning
- Includes flex and plug, draft stopper, and duct adaptor
- Optional run-on timer accessory (order code 14851)
- 3-year return to base warranty from Atom Air



ORDERING INFORMATION

Order code	13526
Description	295mm 25W Ducted high velocity DC exhaust fan w/round white fascia
Item Code	VENTURA/295/WH/RD

MECHANICAL

IP Rating	IPx4
IC Rating	Do not cover
Fitting Colour	White
Product Finish	Matt
Installation Type	Recessed

ELECTRICAL

Input Frequency	50 Hz
Input voltage	230Vac

In Australia the Input voltage is defined as 230Vac -6%/+10%. This effectively means that the voltage range of these products are 216Vac - 253Vac or 240V +6%

AIR MOVEMENT

Outlet	150 mm
Noise level	42 dB
Motor Wattage	25 W
Motor Type	Ball bearing
Fan Type	Centrifugal
Air extraction	550 m ³ /hr

COMPLIANCE

Standards	AS/NZS 60335.1 AS/NZS 60335.2.80 AS/NZS CISPR 14 AS/NZS 4268
------------------	-----------------------------------------------------------------------

WARRANTY

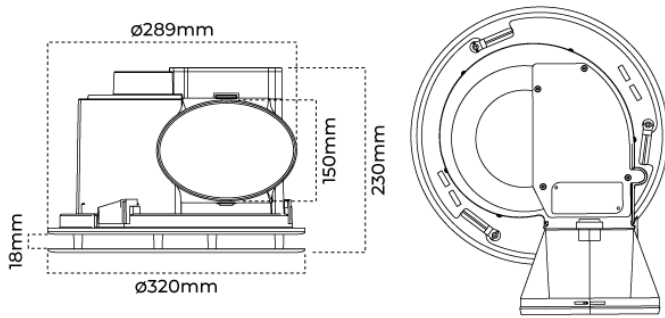
Domestic Use Warranty	3 RTB (Total 3 Years)
------------------------------	-----------------------

DIMENSIONS

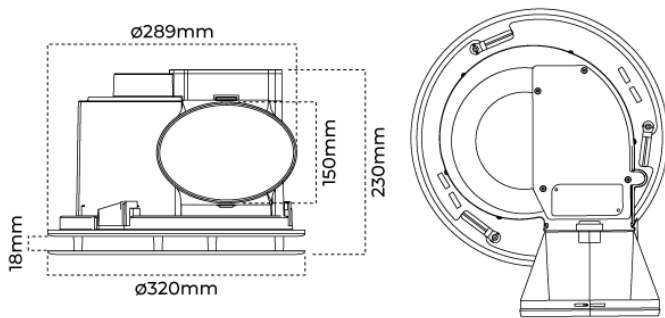
Product Height	230 mm
Product Length	320 mm
Product Width	320 mm
Cutout	295 mm

LINE DRAWINGS

VENTURA/295/WH/RD



VENTURA/295/LT/WH/RD



ACCESSORIES

Order code	14853
Description	150mm x 6m Aluminium Exhaust Duct
Item Code	DUCT/150/6M
Order code	13536
Description	150mm Exterior exhaust fan wall vent square
Item Code	VENT/150/EXT/WH/SQ