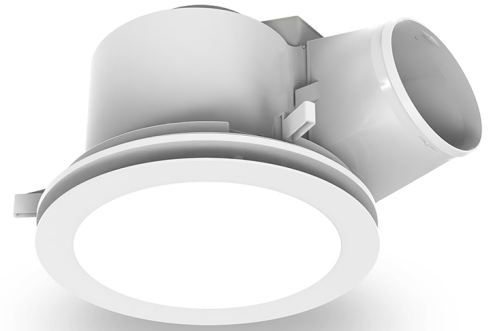


## Ventura

High velocity DC exhaust fan

- DC motor for high airflow with low power use
- Low noise design for a peaceful bathroom
- High airflow performance to clear steam and odours
- Modern matt white fascia with slim profile
- Removable fascia for easy cleaning
- Includes flex and plug, draft stopper, and duct adaptor
- Optional run-on timer accessory (order code 14851)
- 3-year return to base warranty from Atom Air
- Bright 12W tri-CCT LED panel
- Full face, side-lit design for even light spread
- Moisture-sealed to prevent steam ingress
- Rear tri-CCT switch: 3000K / 4000K / 5000K



### ORDERING INFORMATION

<b>Order code</b>	13525
<b>Description</b>	240mm 20W Ducted high velocity DC exhaust fan with round white fascia w/Light - Tri-CCT
<b>Item Code</b>	VENTURA/240/LT/WH/RD

### MECHANICAL

<b>IP Rating</b>	IPx4
<b>IC Rating</b>	Do not cover
<b>Fitting Colour</b>	White
<b>Product Finish</b>	Matt
<b>Installation Type</b>	Recessed

### ELECTRICAL

<b>Input Frequency</b>	50 Hz
<b>Input voltage</b>	230Vac
In Australia the Input voltage is defined as 230Vac -6%/+10%. This effectively means that the voltage range of these products are 216Vac - 253Vac or 240V +6%	

### LAMP

<b>Colour Rendering Index (CRI)</b>	>80
<b>CCT Configuration</b>	TRI-CCT

### COLOUR TEMPERATURE

Cool White (4000 K)	1700 lm
<b>12 Watts</b>	
Warm White (3000 K)	1600 lm
DayLight (5000 K)	1650 lm

### AIR MOVEMENT

<b>Outlet</b>	125 mm
<b>Noise level</b>	36 dB
<b>Motor Wattage</b>	20 W
<b>Motor Type</b>	Ball bearing
<b>Fan Type</b>	Centrifugal
<b>Air extraction</b>	420 m3/hr

### DRIVER

<b>Dimmable</b>	No
-----------------	----

### COMPLIANCE

<b>Standards</b>	AS/NZS 60335.1 AS/NZS 60335.2.80 AS/NZS 60598.1 AS/NZS 60598.2.2 AS CISPR 15 AS/NZS 4268
------------------	---

## WARRANTY

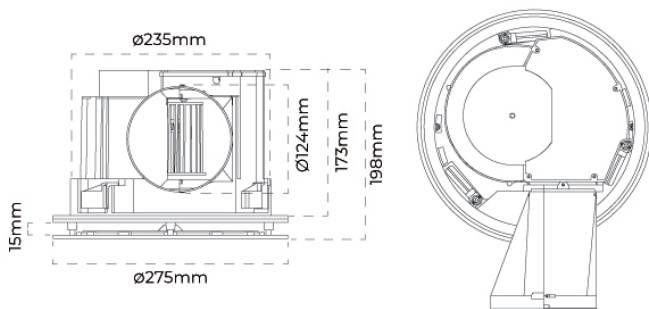
<b>Domestic Use Warranty</b>	3 RTB (Total 3 Years)
------------------------------	-----------------------

## DIMENSIONS

<b>Product Height</b>	198 mm
<b>Product Length</b>	275 mm
<b>Product Width</b>	275 mm
<b>Cutout</b>	240 mm

## LINE DRAWINGS

### VENTURA/240/LT/WH/RD



## ACCESSORIES

<b>Order code</b>	14854
<b>Description</b>	125mm x 6m Aluminium Exhaust Duct

<b>Item Code</b>	DUCT/125/6M
------------------	-------------

<b>Order code</b>	13535
<b>Description</b>	125mm Exterior exhaust fan wall vent square

<b>Item Code</b>	VENT/125/EXT/WH/SQ
------------------	--------------------