

**60cm freestanding dishwasher, stainless steel, with 14 place settings, 6 wash programs including Fast 30' and SensorWash, FastDry system, half load option, adjustable upper basket and 46dB operation**



## Product Details

### FEATURES

---

14 place settings

Wash programs - 6

**FastDry**  
FastDry ensures hot steam is removed from the dishwasher, to ensure spotless dishes in no time.

**SensorWash**

---

Fast wash programs

Height adjustable upper basket

Time Save program

Half load option

---

Hygiene option

Modular cutlery basket

Water safety system

Wash progress indicator

---

Quiet operation

Delay Start - 3, 6 & 9 hours

---

### BENEFITS

---

#### Fast drying time

Say goodbye to damp dishes with our FastDry system, designed to swiftly whisk away humid air for sparkling dry results every time. Our system dehumidifies hot steam before expelling it from the dishwasher, ensuring minimal humidity remains. With FastDry, enjoy spotless streak free dishes in no time.

#### Adjusting the right cycle for you

Sensing the level of grime on your dishes, our super smart sensor adjusts the temperature on top of the wash cycle length to ensure the best results. As well as saving water.

---

#### Make room for larger items

Those extra-large items can now fit with ease in the bottom basket with our height adjustable upper basket. Just simply lift the basket to click in place to fit the most awkward item underneath.

#### Faster wash, when you need it

When it comes to doing the dishes you can choose the program that suits you, whether you have a few dishes, half a load or a full load you can choose our Fast 30, Time Saver or Half Load program.

---

#### Anti-flood for kitchen protection

Sometimes things are out of your control, our aqua control function is designed to step in when you need it most. The anti-flood device automatically cuts off the water to avoid flooding, ensuring your kitchen is looked after.

---

## Specifications

### PRODUCT PROFILE

---

Domestic warranty details (yrs)	2
---------------------------------	---

---

Type of Dishwashers	freestanding
---------------------	--------------

---

Place settings	14
----------------	----

---

Drying system	turbo dry
---------------	-----------

---

Number of spray arms	2
----------------------	---

---

Top shower	No
------------	----

---

### DIMENSIONS

---

Total height (mm)	850
-------------------	-----

---

Total width (mm)	598
------------------	-----

---

### SPECIFICATION

---

Water Efficiency Star Rating	5
------------------------------	---

---

WELS Registration Number	D02961
--------------------------	--------

---

Water consumption (litres)	11.5
----------------------------	------

---

Energy Efficiency Star Rating	3.5
-------------------------------	-----

---

Energy consumption cold water (kWhr/yr)	275
---	-----

---

Noise level dBA	46
-----------------	----

---

Water supply	cold or hot (maximum 60°C)
--------------	----------------------------

---

Basket colour	grey
---------------	------

---

Service cord length	180
---------------------	-----

---

### WASH PROGRAMS

---

Number of Programs	6
--------------------	---

---

## DIMENSIONS

---

Total depth (mm)	598
------------------	-----

---

Height adjustment (mm)	20
------------------------	----

---

## CONTROL PANEL

---

Control panel type	Push button electronic
--------------------	------------------------

---

Control panel finish	black
----------------------	-------

---

Knob or button finish	black
-----------------------	-------

---

Display indicators	wash program,rinse aid,on/off ,program selected,lock,tablet function,delay start,half load ,End
--------------------	---

---

## EXTERIOR

---

Door finish	stainless steel
-------------	-----------------

---

Side colour	grey
-------------	------

---

Plinth colour (kickboard)	stainless steel
---------------------------	-----------------

---

## WASH PROGRAMS

---

Programs	fast 30min,pre-wash,Eco 50°C,Time Save 50 minutes,SensorWash Heavy (60 - 70°C),Hygiene 70°C
----------	---

---

Wash option	Tablet,Half Load
-------------	------------------

---

## FEATURES

---

Other Features	delay start,Soil Level Sensor,child lock on control panel,Self Clean
----------------	--

---

Water safety system	overflow protection,aqua control
---------------------	----------------------------------

---

Filter system	3 stage
---------------	---------

---

Dispenser	detergent,rinse aid
-----------	---------------------

---

Number of spray levels	2
------------------------	---

---

## UPPER BASKET

---

Upper basket features	adjustable top basket,Knifeshelf
-----------------------	----------------------------------

---

Foldable cup shelves	2
----------------------	---

---

## LOWER BASKET

---

Lower Basket Features	Modular Cutlery Basket
-----------------------	------------------------

---

Foldable Racks	4
----------------	---

---

## HOSES

---

Inlet hose length	170
-------------------	-----

---

Drain hose length	180
-------------------	-----

---

Inlet hose length (metres)	1.70
----------------------------	------

---

Drain hose length (metres)	1.80
----------------------------	------

---

## SHIPPING

---

Shipping Weight (Kg)	48
----------------------	----

---

Pack Dimensions Height (mm)	881
-----------------------------	-----

---

Pack Dimension Width (mm)	644
---------------------------	-----

---

Pack Dimension Depth (mm)	661
---------------------------	-----

---

## STUFFING QUANTITIES

---

20ft	48
------	----

---

40ft	102
------	-----

---

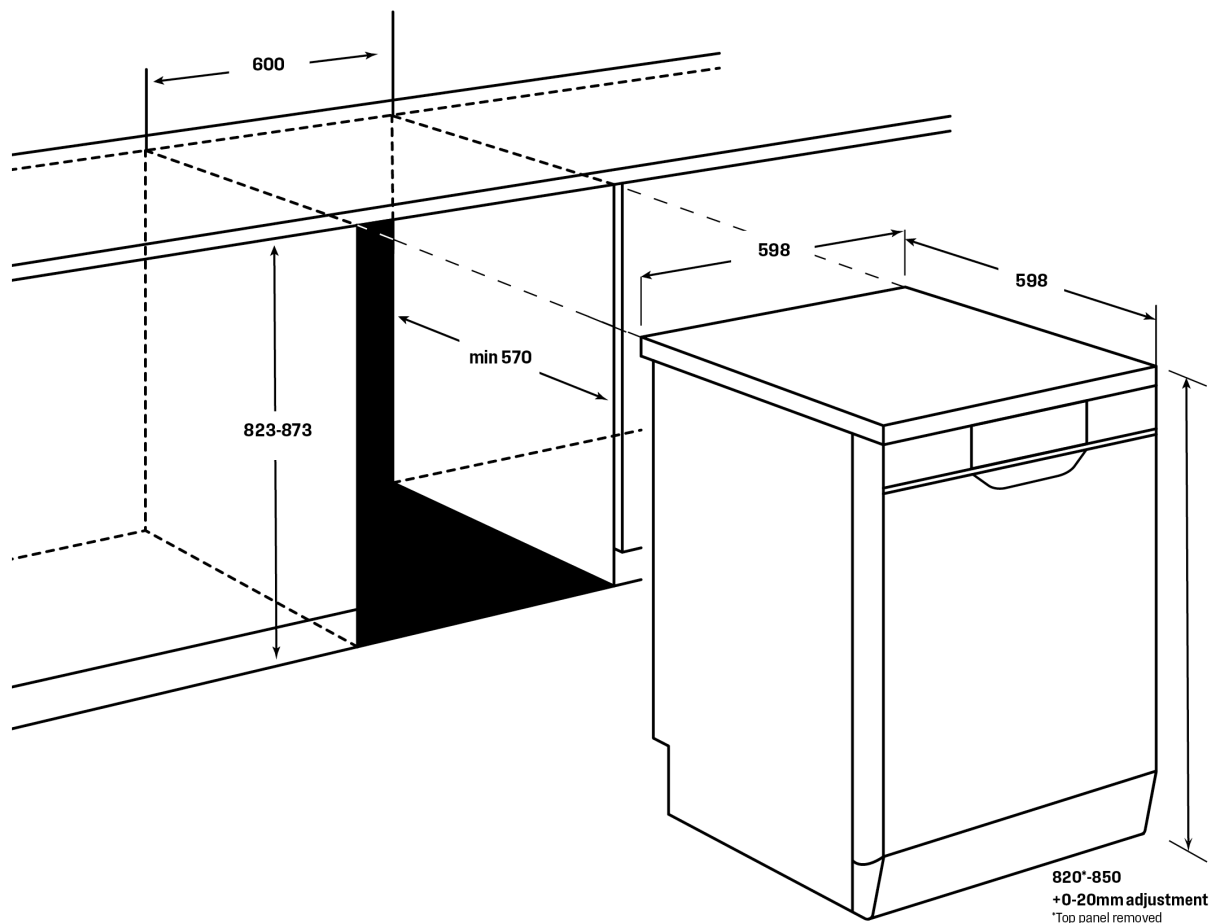
40ft HC	153
---------	-----

---

## Dimensions

### Freestanding Dishwasher

WSF6602WB / WSF6602XB  
WSF6604WB / WSF6604XB  
WSF6606XB / WSF6606KXB  
WSF6608XB / WSF6608KXB



**IMPORTANT**

These dimensions are a guide only. All measurements are in millimetres (mm).  
For complete installation instructions, refer to the manual provided with product.

# Terms and Conditions

## IMPORTANT

This is a guide of product dimensions only. For complete installation instructions, refer to the manual provided with product.

## PRODUCT INFORMATION

The descriptors and illustrations in this publication apply to the specific products and models described as at the date of issue. Under our policy of continuous product development, product specifications may change without notice. Prospective purchasers should therefore check with their retailer to ensure this publication correctly describes the products that are being offered for sale. All information supplied is to be used for general reference purposes only and is on the understanding that Electrolux Home Products Pty Ltd (Australia) and Electrolux (NZ) Ltd (New Zealand) will not be liable for any loss, liability or damage of whatever kind arising as a result of reliance on such information. Colours of products illustrated are as close as printing limitations allow. Electrolux will at all times comply with its obligations pursuant to law including Trade Practices (Australian Consumer Law) Act and Regulations.

## WARRANTY

This warranty only applies to Appliances purchased and used in Australia or New Zealand and used in normal domestic applications and is in addition to (and does not exclude, restrict, or modify in any way) any non-excludable statutory warranties in Australia or New Zealand. All warranties are subject to the conditions set out in the warranty card accompanying the product when purchased.

### ELECTROLUX HOME PRODUCTS AUSTRALIA

telephone: 1300 363 640

fax: 1800 350 067

email: [customercare@electrolux.com.au](mailto:customercare@electrolux.com.au)

web: [www.electrolux.com.au](http://www.electrolux.com.au)

### ELECTROLUX HOME PRODUCTS NEW ZEALAND

telephone: 09 573 2230

fax: 09 573 2221

email: [customercare@electrolux.co.nz](mailto:customercare@electrolux.co.nz)

web: [www.electrolux.co.nz](http://www.electrolux.co.nz)