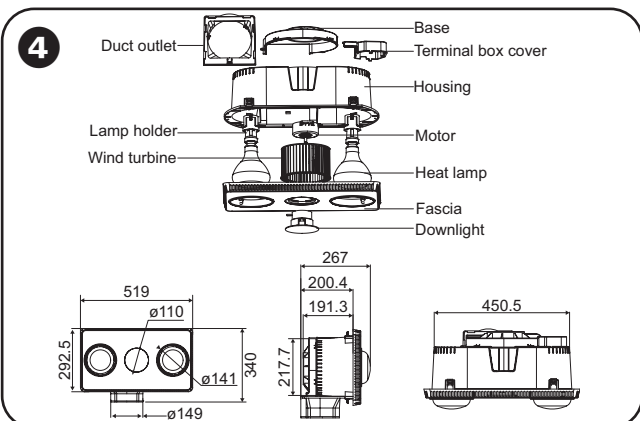
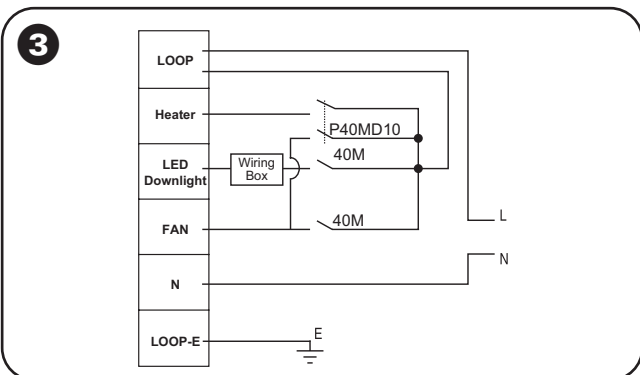
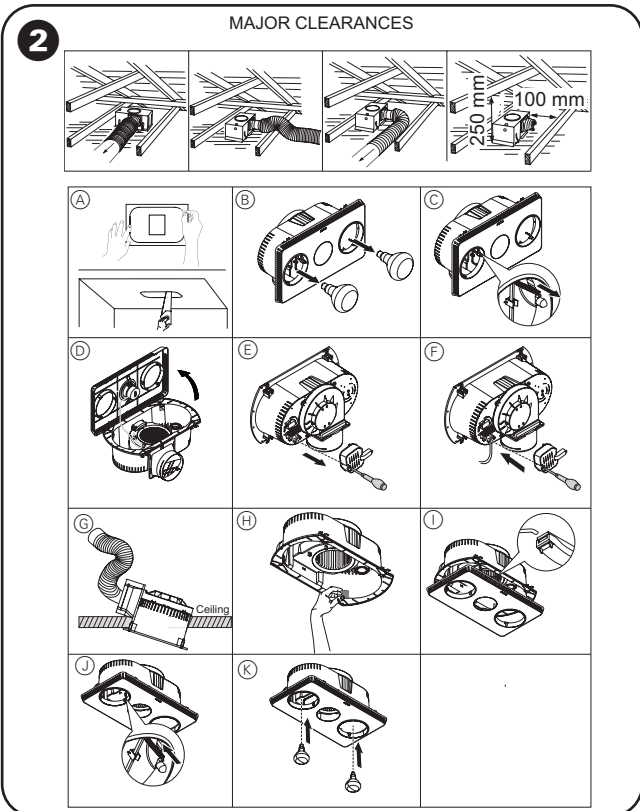
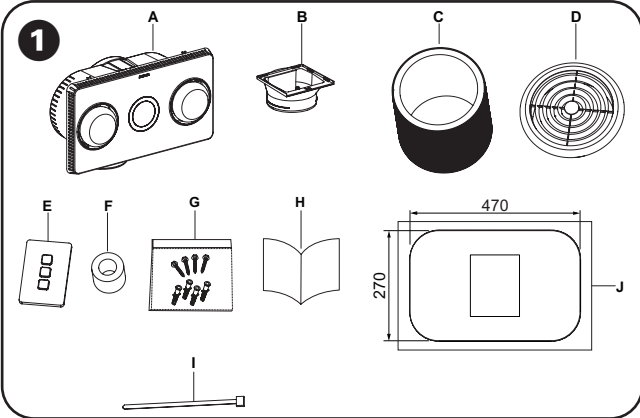


CPL7600ATP-WE



About this product

The Clipsal 3-in-1 with Ducting (hereinafter referred to as *product*) is designed for smaller bathrooms. Standard features include two 275 W radiant heat lamps with ceramic lamp holders, as well as a Clipsal TPD1C3R LED downlight. The product has a powerful centrifugal exhaust fan and is supplied with a labelled Iconic series wall switch for easy identification. The 40MD10 double pole switch mech is supplied to enable the product to be wired, so that when the heat lamps are turned on, the exhaust fan also runs simultaneously.

⚠ WARNING

RISK OF FIRE AND SERIOUS INJURY

- Do not install the product near curtains or other flammable materials.
- Supervise children to ensure they do not play with the appliance.
- Install the bathroom heater in a way that prevents switches and controls from being accessible to a person in the bath or shower.
- The appliance should not be operated by individuals (including children) with diminished physical, sensory, or mental abilities, or limited experience and expertise, unless they have received proper supervision or instruction.
- Do not mount any electrical accessories near the outlet of the ducting.
- Heater should not be installed directly beneath a socket-outlet.
- Do not mount any electrical accessories near the outlet of the ducting.
- Do not cover the appliance with insulating material or any similar material under any circumstances..
- Only install R125 275 W heat reflector globes in the heat cavities of the product.
- Only install this product in strict accordance with the wiring diagram in these instructions.
- The product must be installed at least 2.3 m above the floor and to be at least 0.6 m away from bath and shower.

Failure to follow these instructions can result in fire and serious injury.

⚠ WARNING

EQUIPMENT OPERATION HAZARDS

- This product must be installed and serviced by appropriately qualified and/or licensed professional in accordance with the wiring rules.
- Means for disconnection must be incorporated in the fixed wiring in according with the wiring rules.
- The wires must be fixed into the clips after replacing the downlight. Ensure the internal downlight cabling is fixed into the holding clips so that it is not damaged by the potential heat coming off the ceramic heat lamp holders and the heat lamps.
- Ensure that the switch is in the Off position and all the globes have cooled down before changing the centre light globe or heat reflector globes.

Failure to follow these instructions can result in serious injury and/or equipment damage.

⚠ WARNING

IMPORTANT CLEANING SAFEGUARDS

- Ensure that the product is switched off before cleaning.
- Once the heat reflector globes have cooled down and reached room temperature, remove them.
- Always use a soft, damp, non-abrasive cloth to clean the product.
- Regularly clean away dust, dirt and debris from inside the body, motor, blades and brackets.

Failure to follow these instructions can result in death, serious injury, or equipment damage.

NOTICE

USAGE HAZARD

- Do not leave heat reflector globes on for extended periods of time.
- The product should not be covered or installed in locations that restrict natural ventilation for cooling purposes.
- Ensure that the fascia is kept free of objects, dust build-up and other matter that may restrict air flow.

Failure to follow these instructions can result in equipment damage.

1 Packaging contents

- | | |
|-----------------------------|----------------------------------------------|
| A Main body | G Screw pack (4 screws, 4 wall plugs) |
| B Duct adapter | H Installation guide |
| C Aluminium air duct | I Cable tie |
| D Ventilation outlet | J Cut-out template |
| E Iconic switch | |
| F Sealing tape | |

2 Installation

NOTICE

INSTALLATION HAZARD

- This product is designed specifically for cavity-type ceilings.
- It is NOT recommended to install this product in flat-roof, raked or cathedral ceilings.
- The heat lamps are not designed to heat entire rooms, but rather apply instant, concentrated heat to persons standing directly below the product.
- It is recommended that the ceiling space is adequately ventilated to allow appropriate airflow through the product. Any restrictions on return air entering the room or exhausted air escaping from the ceiling space will impair effectiveness and may contribute to premature failure.
- A minimum of 250 mm clearance is required above the ceiling where the product is to be installed.
- A minimum of 100 mm clearance is required between the installation location and any other ducting in the ceiling space.
- Follow regulations concerning the discharge of air have been fulfilled.
- Joists, beams and rafters must not be cut or notched to install the product.

Failure to follow these instructions can result in equipment damage.

NOTICE

CORRECT INSTALLATION

- Failure to position the lamp surround correctly may cause the heat reflector globes to touch the housing and cause warping.
- The product's centre cavity is designed to accept only Clipsal TPDL1C3R LED downlight.
- Only install Clipsal TPDL1C3R LED downlight in the centre cavity. Do not install any other type of globe as this may cause overheating and subsequent warping of the body.
- The heat cavities have been designed to accept only R125 275 W heat reflector globes.
- Do not force or over-tighten globes.

Failure to follow these instructions can result in equipment damage.

- (1) Position the card in the area of the ceiling where you want to mount the product and draw around the edges with a pencil to mark the 470 mm *270 mm (R80) (Refer **(A)**).
NOTE: Ensure you are aware of rafters/beams in the ceiling cavity to avoid them interfering with the installation.
- (2) Use a saw to cut the section along the drawn lines.
- (3) Before installing the product into the hole, remove the heat lamps from the housing and disconnect the four springs (Refer **(B)** and **(C)**).
- (4) Remove the lamp surround and heat reflector globes to avoid damage from knocks and vibrations.
- (5) Remove the fascia from the housing (Refer **(D)**). When installing for the first time, connect the downlight power cord.
- (6) Remove the screw and terminal cover to access the terminal block (Refer **(E)**). Use 1.5 mm² or 2.5 mm² cable to do the wiring (Refer **(F)**). Screw the housing with terminal cover once wiring is done (Refer **(F)**).
- (7) Lay the ducting and attach the duct adapter to the end of the ducting nearest to the cut-out.
- (8) Position the housing at the cut-out and attach the duct to the side of the housing (Refer **(G)**).
- (9) Insert the product through the hole and ensure the 4 mounting clips support the product on the ceiling. Position the 4 mounting clips appropriately. (Refer **(H)**).
- (10) Rewire the downlight power cord, place the fascia into the housing, and then reconnect the four springs (Refer **(I)** and **(J)**).
- (11) Screw the two heat reflector globes through the lamp surround holes, tightening firmly to ensure a good electrical contact (Refer **(K)**).

Downlight Replacement

NOTE: The device is on the ceiling during the downlight replacement. The light source of this luminaire is not replaceable; when the light source reaches its end of life the whole luminaire shall be replaced.

- (1) Ensure power is disconnected. Then unscrew the heat lamps from the housing and disconnect the four springs (Refer **(B)** and **(C)**).
- (2) Remove the fascia from the housing (Refer **(D)**). Disconnect the downlight power cord and remove downlight from fascia.
- (3) Insert the replacement TPDL1C3R LED Downlight into the fascia, cut off the plug while ensuring that 0.4m of cable remains. Strip the cable and rewire it back into the Fan Light Heater unit. Clip the downlight cable into place to keep it away from the heat lamps. Attach the fascia back into place and reconnect the four springs onto the fascia (refer to B and C). Finally, screw the heat lamps back into place.

3 Wiring

⚠ ⚠ DANGER

HAZARD OF ELECTRIC SHOCK, EXPLOSION, OR ARC FLASH

This product must only be installed and serviced by an appropriately qualified and/or licensed electrical person:

- Isolate the electrical supply before doing any work on the product.
- Ensure that the product has been correctly installed to the appropriate safety standards, local wiring rules and regulations and then tested for safe operation before reconnecting the electrical supply.

Failure to follow these instructions will result in death or serious injury.

The product comes with the required wall plate and switches.

- (1) Select the desired location to mount the switch plate. Make sure to click the switches into the backing plate in the desired order.
- (2) Connect wiring to switch plate as shown in the diagram **(3)**.
- (3) On the fan light heater, remove the screws from the terminal cover on the product and put them aside. Wire according to the terminal markings beside the terminal strip. Remove a knockout in the terminal cover to prevent fouling of the incoming cable when the cover is fitted. Replace the cover and cover screws.

4 Product Dimension Drawings

5 Installation Clearances

The minimum clearance distance from the top of the luminaire to any normally flammable building element/any building insulation is 250 mm. The minimum clearance distance from the side of the luminaire to any normally flammable building element/any building insulation is 100 mm.

⚠ WARNING

RISK OF FIRE AND SERIOUS INJURY


- Risk of Overheating or fire if the clearance distances are compromised.

Failure to follow these instructions can result in death, serious injury, or equipment damage.

Spare Parts

- Electrical switches supplied with the product are usually available from any electrical wholesaler.
- Downlight : The center downlight can only be replaced with a Clipsal TPDL1C3R LED downlight.
- Heat Globes: The heat globes can only be replaced with R125 275 W heat reflector globe.

Technical data

Voltage:	230-240 V~, 50 Hz
Total power consumption:	590 W
Fan(only for exhausting):	33 W
LED light:	7 W
Heat lamps:	2 x 275 W
Fan Max. Air Movement	>300 m ³ /hr
Decibel Rating @3m:	<45 dBA
Storage/Transportation temperature:	-10 to +60°C
Operation/Storage/Transportation humidity:	10% to 95%, RH, no condensing
Overheated protection:	Yes
Warranty:	5 years
Weight:	3.5 kg
Downlight performance	
Power consumption:	7 W
CCT:	3000/4000/6000 K
Beam angle:	100°±10%
Lumens:	750 lm
CRI:	≥80
Chromaticity:	≤ SDCM 6
Compliance:	

Warranty information (Australia)

We warrant this product for 5 years—

We warrant the heat lamps for 1 year—

visit <https://www.schneider-electric.com.au/en/aboutus/legal/terms-and-conditions.jsp>

Our goods also come with guarantees that cannot be excluded under the Australian Consumer Law. You are entitled to a replacement or refund for a major failure and compensation for any other reasonably foreseeable loss or damage. You are also entitled to have the goods repaired or replaced if the goods fail to be of acceptable quality and the failure does not amount to a major failure.

Warranty information (New Zealand)

We warrant this product for 5 years—

visit <https://www.schneider-electric.co.nz/en/aboutus/legal/terms-and-conditions.jsp>

Schneider Electric (Australia) Pty Ltd

33-37 Port Wakefield Road,
Gepps Cross, SA 5094

Customer Care: 13 73 28

Email: customercare.au@se.com

www.clipsal.com

Schneider Electric (NZ) Ltd

Building 6, 60 Highbrook Drive, East Tamaki, 2013, New Zealand

Customer Care: 0800 741 303

Email: customercare.nz@se.com

www.pdl.co.nz

Schneider Electric reserves the right to change specifications, modify designs and discontinue items without incurring obligation and whilst every effort is made to ensure that descriptions, specifications and other information in this instruction is correct, no warranty is given in respect thereof and the company shall not be liable for any error therein.

© Schneider Electric 2024. This material is copyright under Australian, New Zealand and international laws. Except as permitted under the relevant law, no part of this work may be reproduced by any process without prior written permission of and acknowledgement to Schneider Electric.