

# PRODUCT DATA AND APPLICATION SHEET

**PRODUCT NAME**      **Off Load Changeover Switch Din Rail**

**PRODUCT CODE**

TESDCO1P40A – 40Amp – 1 Pole Off Load Changeover Din Rail  
TESDCO2P25A – 25Amp – 2 Pole Off Load Changeover Din Rail  
TESDCO2P63A – 63Amp – 2 Pole Off Load Changeover Din Rail  
TESDCO4P63A – 63Amp – 4 Pole Off Load Changeover Din Rail

**BOX QUANTITY**

TESDCO1P40A = 2, ALL OTHERS = 1

**OUTER QUANTITY**

20

**WARRANTY**

5 Years



## TECHNICAL DATA

Product	DCO1P40	DCO2P25A	DCO2P63A	DCO4P63
Standard	IEC: 60947-3			
Rated Voltage	230V	230V	400V	400V
Rated Current	40A	25A	63A	63A
Rated Frequency	50/60Hz			
Number of Poles	1	2	4	4
Protection Degree	IP20			
Mechanical Life	10000 Cycles			
Operating Temperature	-5°C...50°C		-20°C...50°C	-20°C...50°C
Terminal/Cable Size	10mm	10mm	25mm	25mm
Installation	Mounting on 35mm DIN rail			
Measurements (mm)	75 D x 85 H x 18 W	75 D x 85 H x 35 W	75 D x 85 H x 72 W	75 D x 85 H x 144 W

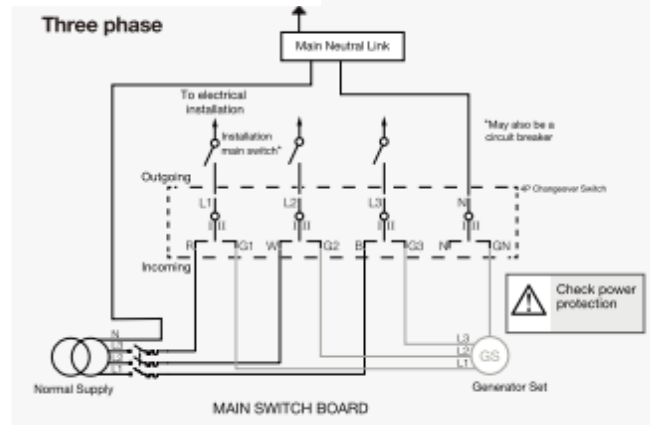
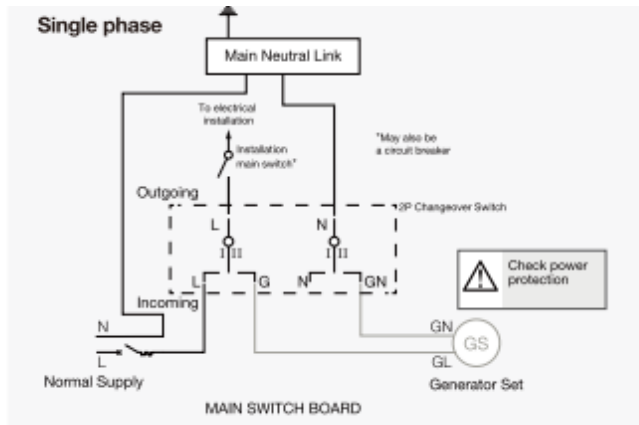


## Wiring Diagrams for the use of changeover switches (I-0-II) with stand-by generators OFF LOAD!!

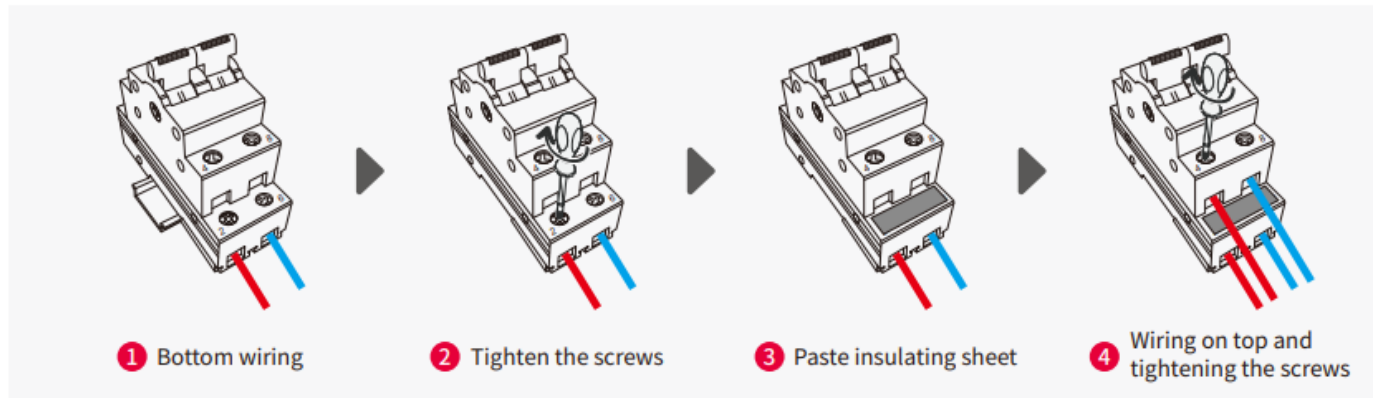
Stand-by generator or Alternative supply generator: typical location of manual changeover device with centre " off " position in the main switch board.

The incoming changeover must be protected with an appropriate MCB to protect against short circuit and disconnection.

**Please unload all circuits before any changeover switch use in any position!**



## Connection



## OverallDimensions

