

# HANECO OYSTER LED LIGHT INSTALLATION GUIDE

## PURO<sup>SLIM</sup>



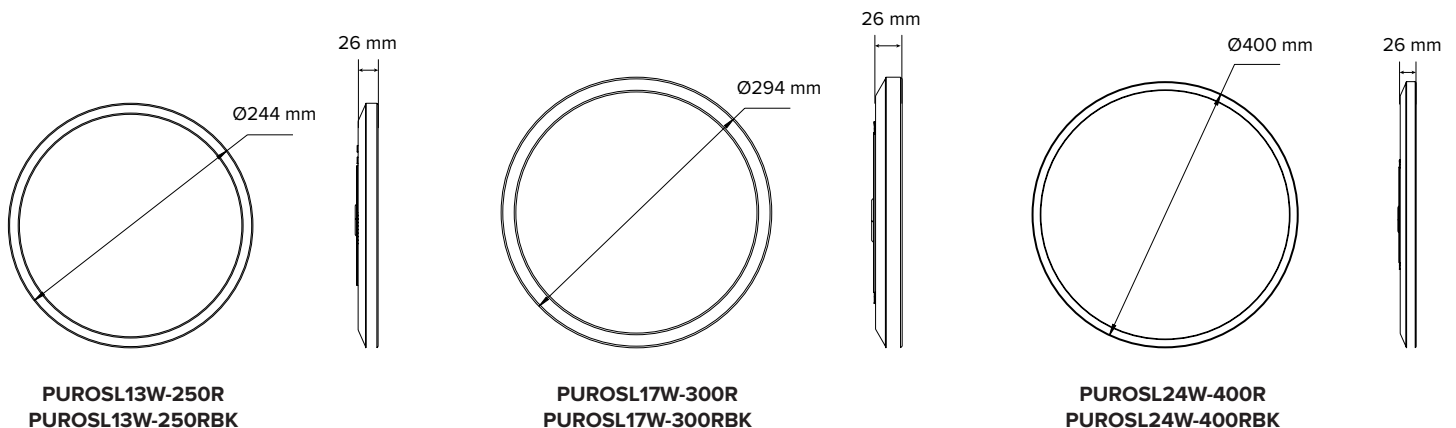
Please read these installation instructions carefully before installing or maintaining this equipment. The product is designed for installation and maintenance in accordance with relevant Australian standards (AS/NZS3000), by an authorised and licensed electrician. The installation instructions were correct at the time of print. To reflect changes in technology and Australian and New Zealand standards; Haneco reserves the right to amend the instructions without notice. Updated guidelines can be found on relevant brand web site.

**PRODUCT NAME:** PURO<sup>SLIM</sup> Oyster LED light

Issue Date: 13/09/2024

Product code	PUROSL13W-250R PUROSL13W-250RBK	PUROSL17W-300R PUROSL17W-300RBK	PUROSL24W-400R PUROSL24W-400RBK
Power	13 W	17 W	24 W
CCT	3000 / 4000 / 5700 K		
CRI	> 80		
Beam angle	110°		
IP rating	IP54		
Projected Lifespan	>85,000hrs @ Ta 45°C (L80)		
Flicker-free	Yes		
Driver	Integral		
Electrical Classification:	CLASS II		
Nominal voltage & Frequency	220-240Vac,50/60Hz		
Power factor	> 0.9		
Surge protection rating	Overload / Short Circuit		
Inrush current	5A @ 300uS		
Rated operating ambient temperature	-20 to 45°C		
Electrical connection	PA10 Terminals		
Installation type	Surface Mount		
Warranty	5 yrs		

### Line diagrams and dimensions



# HANECO OYSTER LED LIGHT INSTALLATION GUIDE

## PUROSLIM

### Installation

Fitting Code:	PUROSL13W-250R	PUROSL17W-300R	PUROSL24W-400R
	PUROSL13W-250RBK	PUROSL17W-300RBK	PUROSL24W-400RBK

To ensure correct function and safety, please read and follow all instructions carefully before using the product.

1. Turn off the power and remove the surface mount base.
2. Unhook the suspension wire and disconnect the terminal connector.
3. Set the colour temperature to the desired level.
4. Mark and drill holes in the ceiling. Insert the wall plugs into the holes, route the power cable through the waterproof grommet, and secure the mounting plate to the ceiling using M4 self-tapping screws.
5. Reattach the suspension wire to the base, and connect the power cables to the terminal as indicated.
6. Insert the terminal back into the base.
7. Secure the LED oyster light to the base by tightening the screws.
8. Restore power and verify that the light is functioning properly.

