

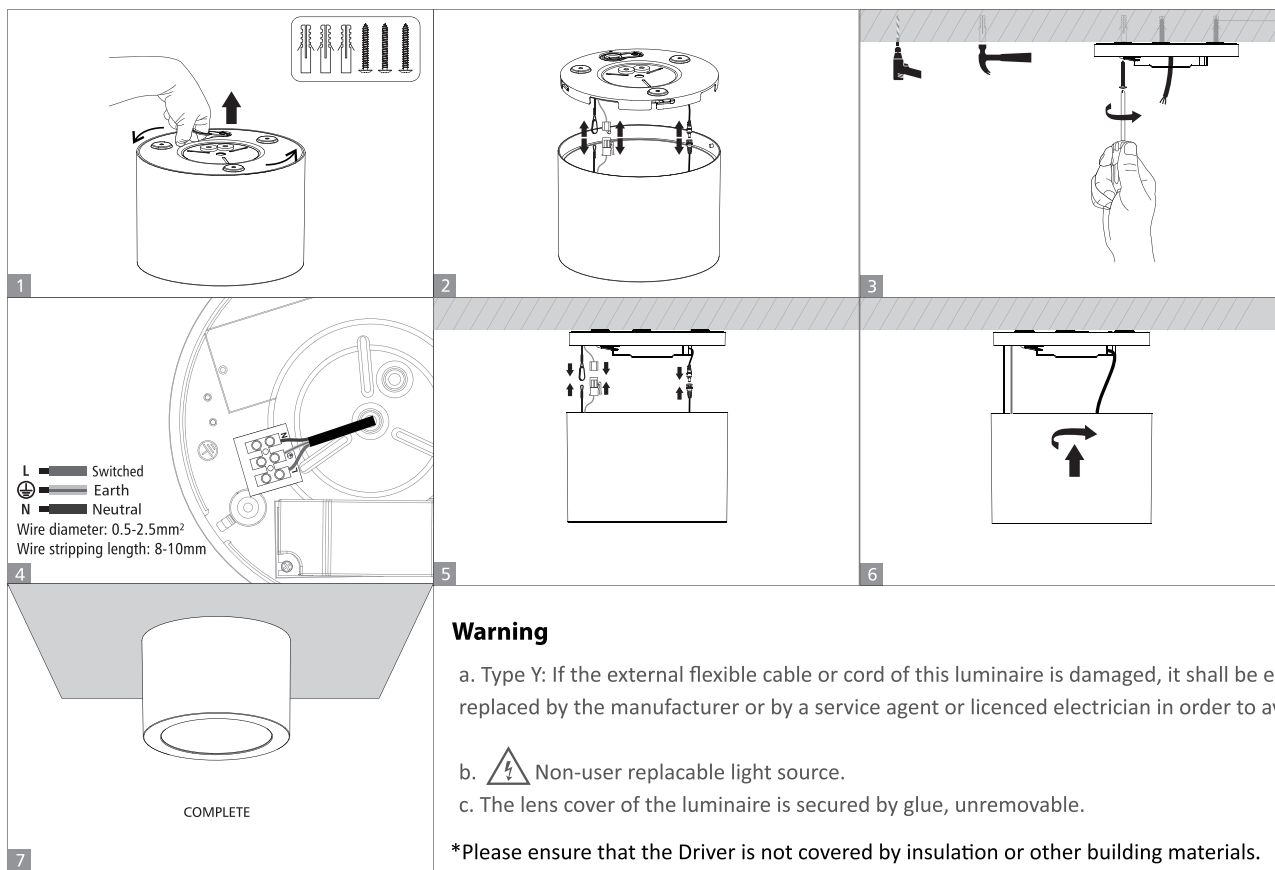
# Surface Mount Kit

## Safety Instructions

To ensure correct function and safety, please read and follow all instructions carefully before using the product.

1. Turn off power supply before installation or before doing any maintenance work.
2. Do not install any luminaire near the heat source.
3. Do not exceed the nominal supply voltage or amperage ratings.
4. All wiring and installation of the light fitting must adhere to local and national wiring rules.
5. Take care not to pull any electrical wires during unpacking as this may damage the connection.
6. Lay out all the components on a smooth surface and make sure there are no components missing before assembling.
7. To avoid injury or damage to the fitting, please ensure that power leads and screws are secure before connecting the power.
8. Please keep instructions for future reference.
9. Please refer to IP (Ingress Protection) rating of this luminaire when deciding the location of installation.

## Surface Mount Installation



### Warning

- a. Type Y: If the external flexible cable or cord of this luminaire is damaged, it shall be exclusively replaced by the manufacturer or by a service agent or licenced electrician in order to avoid hazard.
- b. Non-user replacable light source.
- c. The lens cover of the luminaire is secured by glue, unremovable.

\*Please ensure that the Driver is not covered by insulation or other building materials.

## Product Reference

Product Code	AST10W-115 AST10W-115-BK	AST15W-145 AST15W-145-BK	AST20W-170 AST20W-170-BK	AST25W-190 AST25W-190-BK	AST30W-235 AST30W-235-BK
Product Code (Accessories)	/	/	/	AST25W-SM-WH AST25W-SM-BK	AST30W-SM-WH AST30W-SM-BK