



C 0876A

165mm 2-Way Round Wireless Bluetooth Ceiling Speaker Pair

Operating Instructions



Features:

- Silk Dome Tweeter
- In-built 2 x 30W RMS amplifier
- Infra-red remote control adjustment
- Bluetooth Version 5.0
- Supports multi-room/zone installations
- In-app content, zone and output level control (Bluesonix)
- Additional Stereo RCA input (for aux amplifier input)

C 0876A 165mm 2 Way Round Wireless Ceiling Speaker Pair

Introduction:

This Bluetooth active ceiling speaker system offers instant audio streaming from your smartphone, tablet or laptop with stunning audio reproduction. Built to enjoy the best content from your favourite music streaming service, app or podcast player. Bluetooth 5.0 technology offers superb audio performance and range. Each speaker pair has an in-built high performance 2x30W RMS amplifier which provides plenty of volume for your kitchen, study, family room or dining area. The ideal way to add permanent wireless sound to any room in the house. A modern, low profile finish is provided by frameless magnetic fit grilles. The speakers also feature Additional Stereo RCA input (for aux amplifier input). The 'Bluesonix' app is available on iOS or Android. You can have up to 10 speaker sets spread across different rooms in your premises.

An important operation note for installations with multiple pairs.

The app and speakers allow for multiple pairs to be installed in the same premises, importantly however, you cannot have multiple pairs playing a single music source. If this is what you require for your installation we recommend Wi-Fi based speakers such as the Opus One C 0870, which allow the same music to play in multiple rooms at once. This Bluetooth model simply allows for the individual naming of speakers (ie: kitchen, study, dining etc) with customisable password codes.

Inside the Package

1x Active Speaker
1x Passive Speaker
1x Infra-Red Remote Control
2x Magnetic Speaker Grilles
1x 24V DC power supply
1x Hole cut out template
1x User Manual

Equipment you will need

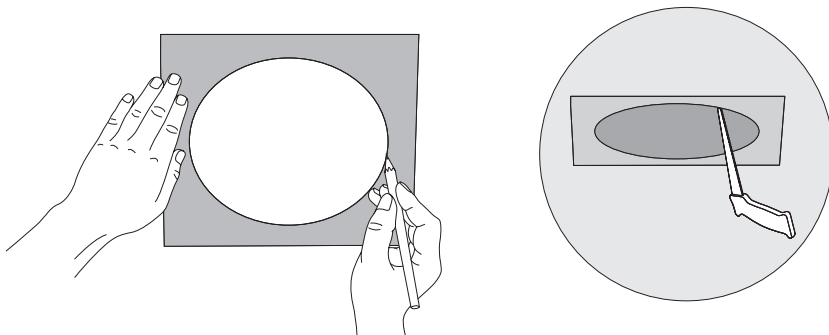
Besides the cut-out template that is included in the box, you must have a ladder and ideally the equipment listed below to guarantee a safe and efficient installation.

- Pencil
- Screwdriver
- Speaker cable
- Measuring tape
- Wire cutters
- Protective eyewear
- Stud finder
- Cutting saw
- Drill

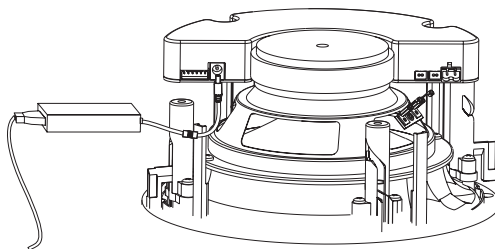
C 0876A 165mm 2 Way Round Wireless Ceiling Speaker Pair

Installation:

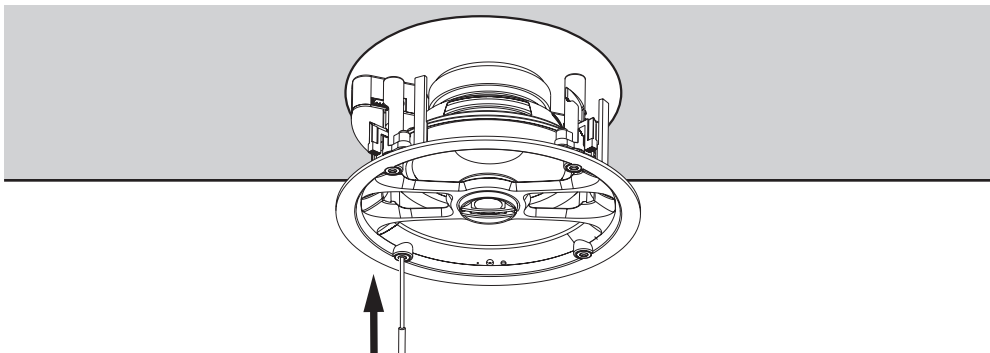
1. Trace the template in the speaker location, then simply cut along the line.



2. Connect the adapter to the power input.



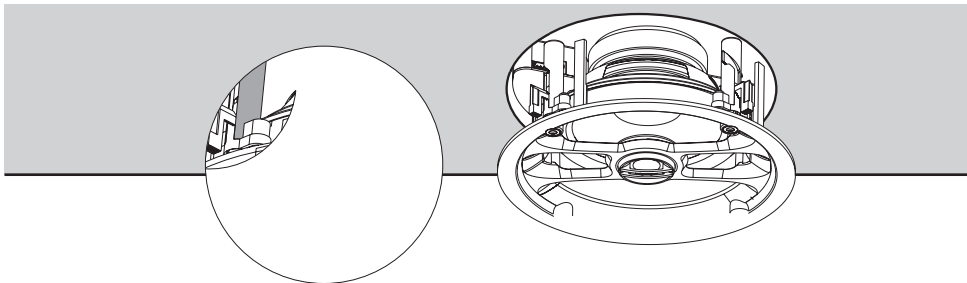
3. Insert the speaker into the hole and adjust the dog leg with the installation tool as shown.



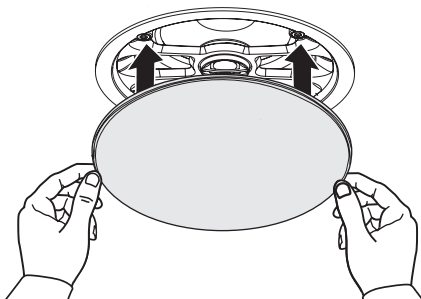
C 0876A 165mm 2 Way Round Wireless Ceiling Speaker Pair

Installation:

4. Lock the speaker by pressing the buttons located on the front face of the speaker and the dog leg will engage automatically.



5. Place the grill on speaker. The grille will magnetically attach to the rim of the speaker



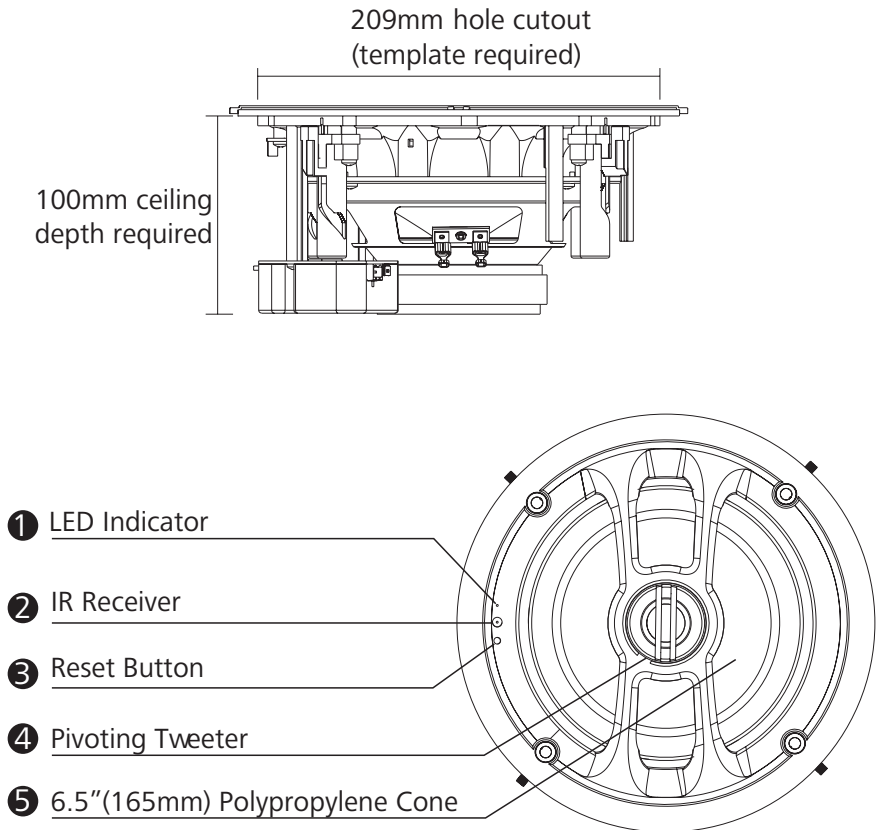
Note: You can paint the speaker grill before you attach it to the speaker (Paints and spray gun are not included.)

C 0876A 165mm 2 Way Round Wireless Ceiling Speaker Pair

Safety:

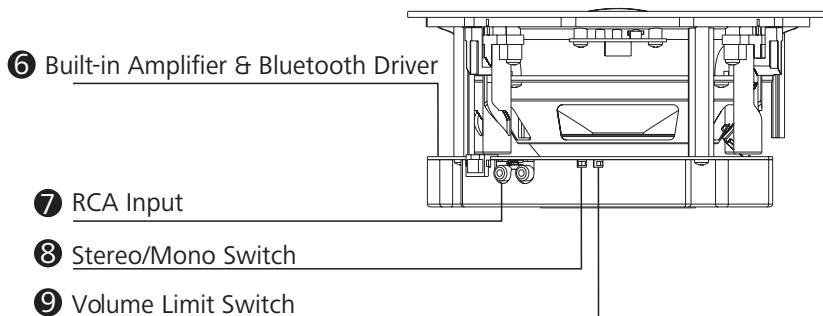
1. Please read the instructions carefully before installing and using the speakers. Keep the manual safe for future reference.
2. Prior to installing the speakers into any ceiling/wall, check the structure for weight bearing ability and avo bearing ability and avoid contact with any wiring or plumbing that might be behind the surface area. Installing on soft material or in area incapable of supporting the speakers' weight may cause personal injury or damage to the speaker.
3. Make sure the speaker is properly secured to the ceiling/wall. Please use the proper screws, bolts or anchors. Failure to do so may cause the speaker to become unsecured and cause potential damages/injuries.
4. Damage to the woofer and tweeter may occur if the speaker is dropped or hit, resulting in no sound or distorted sound.
5. Never overdrive your speakers to the point of distortion and always reduce volume prior to switching input sources (e.g FM to CD).
6. Use only approved and certified wiring in your installation, do not stretch or place the wire in contact with sharp objects.
7. Prior to removing cables ensure all power to your amplifier and other components is turned off.

Speaker Overview:



C 0876A 165mm 2 Way Round Wireless Ceiling Speaker Pair

Speaker Overview:



6 Built-in Amplifier & Bluetooth Driver

7 RCA Input

8 Stereo/Mono Switch

9 Volume Limit Switch

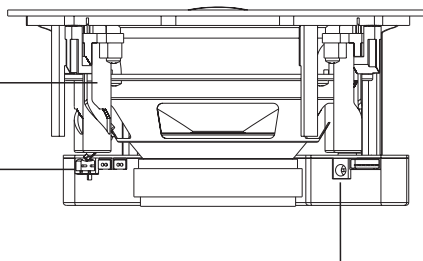
Limiter Enabled(50%): The volume will be limited(max. output: 15W@8Ω)

Limiter Disable(100%): The volume can be adjusted to the max. (max. output: 30W@8Ω)

10 Dog Leg with Quick Locking Mechanism

11 Speaker Output

12 Power Input DC 24V /2.5A



Connection:

Bluetooth Connection

Step 1: Power on the speaker and turn on the bluetooth on your device and connect to the “Opus One”

Step 2: Enter the Bluetooth pairing password “0876”

Step 3: Bluetooth is connected and the music can be play through the speaker

Note: If your device fails to connect, reboot the speaker and repeat the process. If problems still occur press the reset button on the remote control or the reset button located on the front face of the speaker. Then repeat steps 1 to 3.

RCA Connection - To connect to other devices, e.g a CD player

Step 1: If needed, we recommend to connect to a RCA cable to the speaker and device on Step 2 of installation.

Step 2: Bluetooth connection takes priority over the RCA connection so to connect, switch off bluetooth on device and wait 30-40 sec to activate the RCA connection mode every time you boot up the speaker.

Step 3: The speaker will switch to Bluetooth connection mode automatically if the device is reconnected via bluetooth to the speaker.

Step 4: Switch bluetooth to RCA connection by switching off the bluetooth on your device and wait 10 seconds for the RCA mode to be activated.

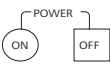






C 0876A 165mm 2 Way Round Wireless Ceiling Speaker Pair

Create a Stereo Pair

The C 0876A Bluetooth Ceiling Speaker is able to connect to and power an additional passive speaker via the speaker output. Turn the stereo/mono switch (No.8 on speaker overview) to the “stereo” mode when a passive speaker is attached. If not, please switch to the “mono” mode.

Note: We recommend users connect as additional passive speaker on Step 3 of installation.

Operating Guide:

	Press to power on/off the speaker. Please do not pull out the plug directly before turning off power to the speaker from the remote, or the customized volume and sound effect setting can not be saved
	Press to turn off the sound
 VOLUME	To change the speaker volume, press and hold either the plus or minus volume buttons on the remote. As you continue to hold down on either button, the volume will change faster. Release the button when you're close to the volume you want and just press plus/minus from there to get the exact volume. It will beep once if you adjust to the maximum volume.
 TREBLE	To change the speaker Treble, press the plus or minus treble buttons on the remote. It will beep once if you adjust to the maximum or minimum volume.
 BASS	To change the speaker Bass, press the plus or minus bass buttons on the remote. It will beep once if you adjust to the maximum or minimum volume.
 BALANCE	To change the speaker balance, press the left or right balance buttons on the remote.
 RESET	- To change the sound effect, press the RESET button and the sound effect will switch in sequence: (1) Classical, (2) Vocal Enhance, (3) Flat, (4) Bass Enhance, (5) Bass Weaken, (6) Treble Enhance, (7) Treble Weaken, (8) Popular, (9) Rock and (10) Jazz. - To Reset the speaker to default, press and hold the RESET button for 3 sec.

Note: The PREV, NEXT and RESET buttons can only work when the speaker is under the Bluetooth connection mode. The bluetooth device needs to support AVRCP V1.6 or above.

C 0876A 165mm 2 Way Round Wireless Ceiling Speaker Pair

LED Indicator Status

- Red solid: Speaker booting up
- Red slow flash: Speaker under standby mode, waiting for user operation
- Blue flash: Speaker under Bluetooth pairing mode
- Blue solid: Speaker is connected to the bluetooth device
- Purple solid: Speaker under RCA mode
- White flash: Speaker is resetting/software updating

Reset to default

- Press and hold the RESET button on the remote control. The LED indicator will flash white and the speaker is under the reset mode. The speaker will reboot automatically when finishing the reset. Please ensure your speaker is powered during the process.
- If you have lost the remote control, you can press and hold the reset button located on the front face of the speaker.

Note: All parameters will be reset to default values.

- The max volume of the speaker is VOL 32 and the default is VOL 26.
- The default sound effect is flat.
- The default treble and bass is 0.
- The default left and right channel setting is balance.

Specifications:

Speaker	Master	Slave
Woofers	6.5" Polypropylene Cone	6.5" Polypropylene Cone
Tweeter	0.75" Silk Dome	0.75" Silk Dome
Frequency Response ($\pm 3\text{dB}$)	70Hz-20kHz	70Hz-20kHz
Nominal Impedance	8 Ω	8 Ω
Amplifier Power	2 x 30W/8 Ω	-
Sensitivity	87dB	87dB
Bluetooth Version	5.0	-
Bluetooth Distance	30m*	-
Power Supply	24V DC/ 2.5A	-
Dimensions	$\varnothing 233 \times 105\text{mm}$	$\varnothing 233 \times 105\text{mm}$
Cut Out Size	$\varnothing 209$	$\varnothing 209$

***Range is dependant on location of speakers in relation to the streaming device. Walls, pillars and solid objects have the effect of limiting Bluetooth range**

C 0876A 165mm 2 Way Round Wireless Ceiling Speaker Pair

C 0876A 165mm 2 Way Round Wireless Ceiling Speaker Pair

Altronic Distributors warrants this product for one year from date of purchase from Altronics or its resellers to the consumer. If this item is part of an installation or another product, please contact the installer or supplier for your warranty.

During the warranty period, we undertake to repair or replace your product at no charge if found to be defective due to a manufacturing fault. The warranty excludes damage by misuse or incorrect installation (i.e. failure to install and operate device according to specifications in the supplied instruction manual), neglect, shipping accident, or no fault found, nor by use in a way or manner not intended by the supplier.

For repair or service please contact your **PLACE OF PURCHASE**.

If this item was purchased directly from Altronics please make a warranty claim by:

1. FOR MAIL ORDER CUSTOMERS (includes school and trade orders),

a) Calling your nearest store location and quoting your tax invoice number.

b) Upon contacting Altronics, we will issue an R.A. (Return Authorisation). As Altronics have a number of service agents throughout Australia, a copy of the R.A. will be emailed, faxed or mailed to you with full instructions of how and where to send the goods. The freight for shipping goods back to Altronics for all repairs is at the customers expense.

c) A copy of the R.A. form, (or at the very minimum, the R.A. number) must accompany the goods to effect the repair.

d) Altronics will pay the return freight to the customer where the warranty claim has been accepted.

e) Please quote the R.A. number in any correspondence to us.

2. FOR OVER THE COUNTER PURCHASES to make a warranty claim, please return the goods to us in any of our stores, with a copy of your proof of purchase (tax invoice).

a) Upon leaving the goods at one of our stores, an R.A. number will be issued to you.

b) Once repaired, you will be contacted, advising that the goods are ready to be collected from the store.

It is at Altronics discretion as to whether the goods will be repaired or replaced (whilst under warranty); and as to whether identical goods will be used to replace the item due to changes of models / products.

Note: Under no circumstances should you attempt to repair the device yourself or via a non-authorized Altronics service centre, as this will invalidate the warranty!

Our goods come with guarantees that cannot be excluded under the Australian Consumer Law. You are entitled to a replacement or refund for a major failure and for compensation for any other reasonably foreseeable loss or damage. You are also entitled to have the goods repaired or replaced if the goods fail to be of acceptable quality and the failure does not amount to a major failure.

Distributed by Altronic Distributors Pty. Ltd.
Phone: (08) 9428 2199
altronics.com.au

Revision 16/10/2020