

AT3030 TRI

Flat low-profile oyster - Tri-CCT - White

- Ultra-thin 27mm design; blends smoothly with modern decor.
- Tri-colour LEDs: 3000K, 4000K, 5700K; customise your colour temp.
- IP54 rated; ideal for bathrooms, kitchens, and laundries.
- Energy-efficient: Up to 120 lm/W for reduced electricity bills.
- Long-lasting: Over 54,000 hrs lifespan minimises replacements.
- Easy install with twist-and-go plate; saves time and effort.
- Dimmable functionality; adjust lighting to suit any occasion.
- Insect-resistant seal keeps the light clean and clear.
- Double insulated design



ORDERING INFORMATION

| | |
|--------------------|------------------------------------------------------------|
| Order code | 11429 |
| Description | 24W Flat low-profile oyster 400mm dia - Tri-CCT - White |
| Item Code | AT3030/24/TRI |

EFFICIENCIES

Total System Efficiency 120 lm/W

The performance of each component of a luminaire is demonstrated through its efficiencies, which together determine the total system efficiency of the product. The output of the LED chip is first multiplied by the optical and thermal efficiencies to calculate the Luminaire efficiency. However, this calculation does not consider the driver efficiency. To determine the overall efficiency of the system, the Luminaire efficiency must be multiplied by the driver efficiency, which accounts for all losses in the system.

MECHANICAL

| | |
|--------------------------|-----------------|
| Fitting Colour | White |
| Installation Type | Wall or Ceiling |
| IP Rating | IP54 |

ELECTRICAL

| | |
|---------------------------|--------------|
| Electrical Rating | Class II |
| Input Frequency | 50 Hz |
| Input voltage | 230 |
| Maximum Wattage | 24 W |
| Working Temp Range | -20 to 40 °C |

LAMP

| | |
|-------------------------------------|---------|
| CCT Configuration | TRI-CCT |
| Colour Rendering Index (CRI) | >80 |

LED LIFETIME

LED Lifetime >54,000 hrs

This is the Reported LED Lifetime in Hours based on TM-21. Atom does not list the projected or calculated LED lifetime, which is normally longer as TM-21 Addendum B explicitly states "The Calculated and Projected Lp(Dk) are not to be reported". This Lifetime refers to the life of a single LED however the system life is longer since the probability and binomial distribution of all LEDs in the system means that the average led is performing above the specification and compensates for the LEDs falling below.

COLOUR TEMPERATURE

| | |
|---------------------|---------|
| Warm White (3000 K) | 2780 lm |
| Cool White (4000 K) | 2890 lm |
| DayLight (5700 K) | 2830 lm |

DRIVER

| | |
|-----------------|-----|
| Dimmable | Yes |
|-----------------|-----|

COMPLIANCE

| | |
|------------------|------------------------------------------------------------------------------------------|
| Standards | AS/NZS 60598.1 AS/NZS 60598.2.1 AS/NZS 61347.1 AS/NZS 61347.2.13 AS CISPR 15 |
|------------------|------------------------------------------------------------------------------------------|

WARRANTY

| | |
|------------------------------|---------------------------------|
| Domestic Use Warranty | 3 RTB (Total 3 Years) |
| VIP Warranty | 2 Onsite, 3 RTB (Total 5 Years) |

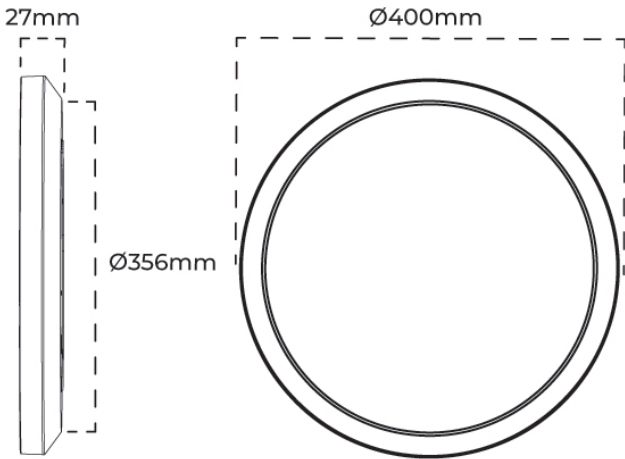
VIP warranty is available to registered users and is subjected to additional terms and conditions.

DIMENSIONS

| | |
|-----------------------|-------|
| Product Height | 27 mm |
|-----------------------|-------|

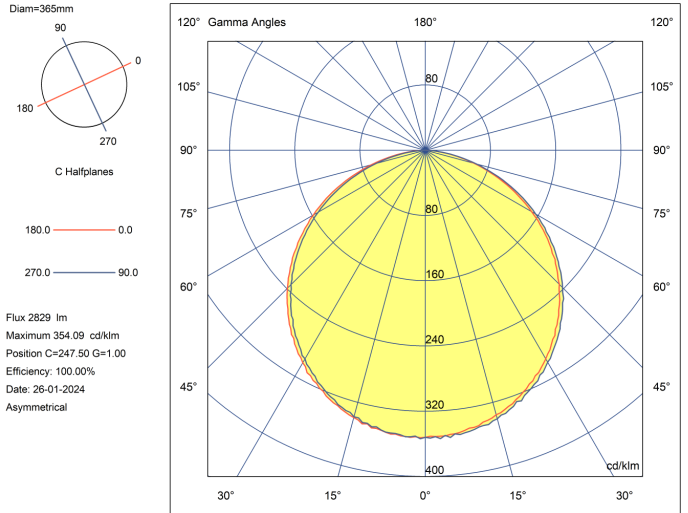
LINE DRAWINGS

AT3030/24/TRI

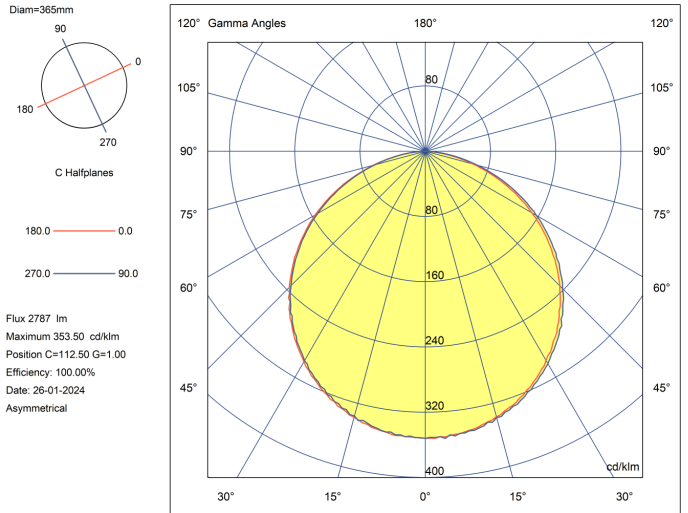


PHOTOMETRICS

AT3030/24/TRI/5700K



AT3030/24/TRI/3000K



AT3030/24/TRI/4000K

