

## AT5011

Samba Corrosion Resistant Polycarbonate Fixed LED

Wall Light

- Stylish, energy-efficient outdoor light with easy wall mounting installation
- Made with durable corrosion-resistant polycarbonate
- IP65 weatherproof rating provides protection against rain, wind, and other elements
- Impressive LED lifetime of >54,000 hrs for long lasting performance
- TRI-CCT gives flexibility to choose between 3000K, 4000K and 5000K colour temperatures
- Double insulated design



## ORDERING INFORMATION

<b>Order code</b>	11849
<b>Description</b>	SAMBA LED Fixed Wall light - Tri-CCT - White finish
<b>Driver Type</b>	Fixed output
<b>Item Code</b>	AT5011/WHT/TRI

## EFFICIENCIES

<b>Total System Efficiency</b>	103 lm/W
--------------------------------	----------

The performance of each component of a luminaire is demonstrated through its efficiencies, which together determine the total system efficiency of the product. The output of the LED chip is first multiplied by the optical and thermal efficiencies to calculate the Luminaire efficiency. However, this calculation does not consider the driver efficiency. To determine the overall efficiency of the system, the Luminaire efficiency must be multiplied by the driver efficiency, which accounts for all losses in the system.

## MECHANICAL

<b>Adjustability</b>	Fixed
<b>Body Material</b>	Polycarbonate
<b>Diffuser Material</b>	Polycarbonate
<b>Fitting Colour</b>	White
<b>Installation Type</b>	Wall mount
<b>IP Rating</b>	IP65

## ELECTRICAL

<b>Electrical Rating</b>	Class II
<b>Input Frequency</b>	50 Hz
<b>Input voltage</b>	230Vac
In Australia the Input voltage is defined as 230Vac -6%/+10%. This effectively means that the voltage range of these products are 216Vac - 253Vac or 240V +6%	
<b>Maximum Wattage</b>	5 W
<b>Working Temp Range</b>	-20 to 40 °C

## LAMP

<b>CCT Configuration</b>	TRI-CCT
<b>Colour Rendering Index (CRI)</b>	>80

## LED LIFETIME

<b>LED Lifetime</b>	>54000 hrs
This is the Reported LED Lifetime in Hours based on TM-21. Atom does not list the projected or calculated LED lifetime, which is normally longer as TM-21 Addendum B explicitly states "The Calculated and Projected Lp(Dk) are not to be reported". This Lifetime refers to the life of a single LED however the system life is longer since the probability and binomial distribution of all LEDs in the system means that the average led is performing above the specification and compensates for the LEDs falling below.	
<b>TM-21 Test Hours</b>	9000 hrs

## COLOUR TEMPERATURE

Warm White (3000 K)	480 lm
Cool White (4000 K)	515 lm
DayLight (5000 K)	505 lm

## DRIVER

<b>Dimmable</b>	No
<b>Driver Included</b>	Yes
<b>Integrated Driver</b>	Yes
<b>Driver Type</b>	Fixed output
<b>Wiring Type</b>	Re-wireable terminal block (2 pin)

## COMPLIANCE

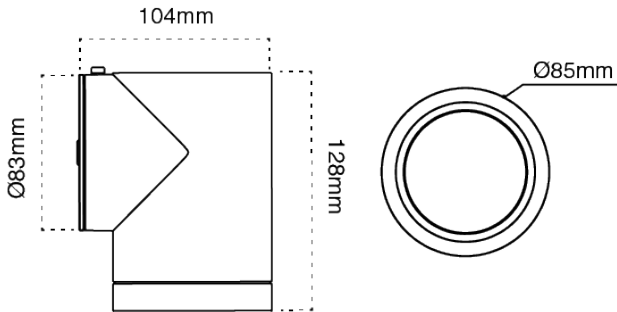
<b>Standards</b>	AS/NZS 60598.1 AS/NZS 60598.2.1 AS/NZS 61347.1 AS/NZS 61347.2.13 AS CISPR 15
------------------	--

## WARRANTY

<b>Domestic Use Warranty</b>	3 RTB (Total 3 Years)
------------------------------	-----------------------

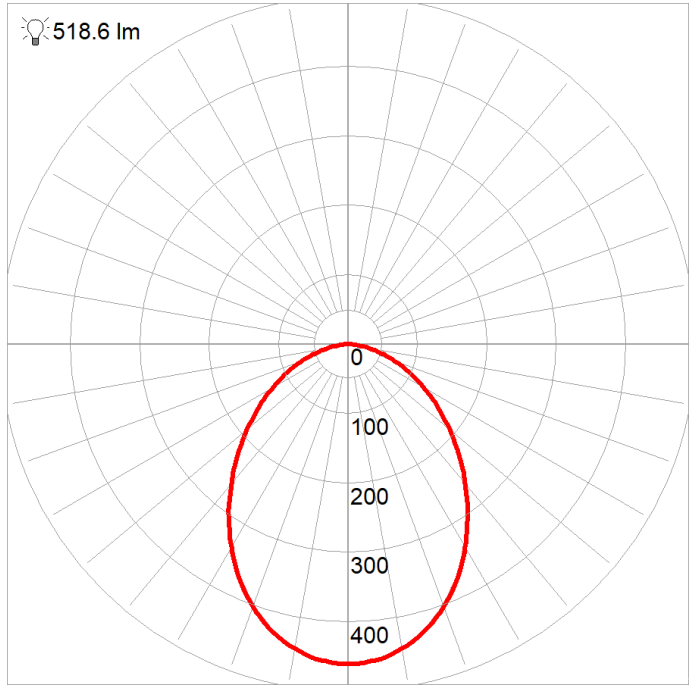
## LINE DRAWINGS

### AT5011/CHA/TRI



## PHOTOMETRICS

### AT5011/CHA/TRI/5700K



### AT5011/CHA/TRI/4000K