

AT9014 (24VDC)

4W LED Adjustable Downlight (24V)

- Ideal for undershelf and accent lighting
- 24V Low voltage operation (driver not supplied)
- 2m Input cable



ORDERING INFORMATION

Order code	12667
Description	4w 24 Volt DC CV Mini Adjustable LED Downlight -White - Cool White
Item Code	AT9014/ADJ/24V/WH/CW

EFFICIENCIES

Total System Efficiency 95 lm/W

The performance of each component of a luminaire is demonstrated through its efficiencies, which together determine the total system efficiency of the product. The output of the LED chip is first multiplied by the optical and thermal efficiencies to calculate the Luminaire efficiency. However, this calculation does not consider the driver efficiency. To determine the overall efficiency of the system, the Luminaire efficiency must be multiplied by the driver efficiency, which accounts for all losses in the system.

MECHANICAL

Adjustability	Adjustable
Body Material	Aluminium
Product Finish	Matt
Fitting Colour	White
IC Rating	IC
Installation Type	Recessed
IP Rating	IP20

ELECTRICAL

Electrical Rating	Class III
Input voltage	24V DC
Maximum Wattage	4 W
Switch Type	Inline
Working Temp Range	0 to 40 °C

LAMP

Macadam Steps (SDCM)	5-step MacAdam Ellipse
Beam Angle	32 °
CCT Configuration	Single
Colour Rendering Index (CRI)	>80
LED Type	COB
Maximum Bulb Wattage	4 W

LED LIFETIME

LED Lifetime 50000 hrs

This is the Reported LED Lifetime in Hours based on TM-21. Atom does not list the projected or calculated LED lifetime, which is normally longer as TM-21 Addendum B explicitly states "The Calculated and Projected Lp(Dk) are not to be reported". This Lifetime refers to the life of a single LED however the system life is longer since the probability and binomial distribution of all LEDs in the system means that the average led is performing above the specification and compensates for the LEDs falling below.

COLOUR TEMPERATURE

CCT	4000 K
CCT Colour	Cool White
Luminaire Lumens	380 lm

All photometric data has a tolerance of $\pm 10\%$. Luminaire lumens refers to the exit lumens or delivered lumens from the luminaire.

DRIVER

Driver Included	No
Integrated Driver	No
Flex & Plug or Lead Length	2000 mm
Wiring Type	Flying leads (2 wire)

COMPLIANCE

Standards	AS/NZS 60598.1 AS/NZS 60598.2.2 EN55015
-----------	---

WARRANTY

Domestic Use Warranty	3 RTB (Total 3 Years)
VIP Warranty	2 Onsite, 3 RTB (Total 5 Years)

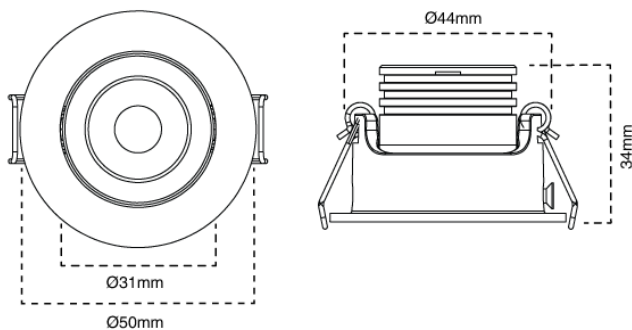
VIP warranty is available to registered users and is subjected to additional terms and conditions.

DIMENSIONS

Cutout	45 mm
Product Diameter	50 mm
Product Height	34 mm

LINE DRAWINGS

AT9014/ADJ/24V/WH



Recommended Drivers

Order code	Item Code	Description
16091	EV-DRIVER-24V-100W-ND	100W 24V Constant Voltage Driver IP67 with 1m Flex and plug
16089	EV-DRIVER-24V-40W-ND	40W 24V Constant Voltage Driver IP67 with 1m Flex and plug



15795 **ZC-DRIVER-20K-ND-24V** 20W MAX Fixed output Constant Voltage LED Driver 24V CV

15798 **ZC-DRIVER-60K-ND-24V** 60W MAX Fixed output Constant Voltage LED Driver 24V CV
