

PHOTOELECTRIC
SMOKE ALARM



10 Year
Lithium Battery



RF Wireless
Built-in



Remote Control
Ready



20 - 40 m²
Coverage



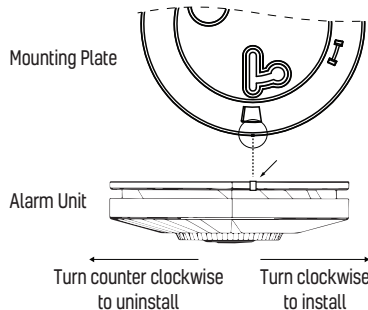
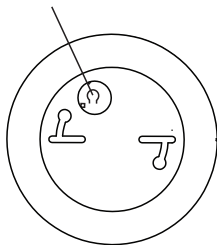
**MODEL:
R10RF**

Key Information

Device application	Early Detection of Smouldering Fires and Open Fires
Sensor type	Photoelectric Sensor
Colour	White (RAL 9003)
Quantity	1
Packaging type	Carton

Power Supply	DC Sealed Battery
Battery Type	3V Lithium Battery
Battery Life	10 YR
Operating Current	< 100mA at 3V
Standby Power	< 0.04mW
Detection Type	Smoke
Function	Hush Function Smoke Detection Local Alarm
Response Time	Approx. 8 SEC
Noise Level	85 dB at 3M Minimum
Time Delay Range	10 MIN: for Hush 10 HR: for Silence 72 HR: for Memory Function
Control Type	Button for Test / Hush Function
Radio Frequency	433.92 MHz
Number of Devices	Wireless Interconnected up to 40 Pieces
Operating Distance	30M Indoor Use Line of Sight 100M in Free Field
Local Signal	Sound: Alarm Sound: Signal Visual: 1 LED (Red) for Warning and Low Battery
Type of Installation	Indoor
Device Mounting	Surface
Fixing Type	Wall-mount Ceiling
Alarm Diameter	140 MM
Protrusion from Ceiling	39 MM
Ambient Air Temperature for Operation	0...45°C
Relative Humidity	5...95%
Product Certifications	CSIRO
Standards	AS 3786:2014+A1:2015+A2:2018

RF Pairing Buton



The information provided in this documentation contains general descriptions and/or technical characteristics of the performance of the products contained herein. This documentation is not intended as a substitute for and is not to be used for determining suitability of reliability of these products for specific user applications. It is the duty of any such user or integrator to perform the appropriate and complete risk analysis, evaluation and testing of the products with respect to the relevant specific application or use thereof. Neither Red Smoke Alarms PTY. LTD nor any of its affiliates or subsidiaries shall be responsible or liable for misuse of the information contained herein.

