

AT9011 (24VDC)

3W LED Dual CCT Downlight (24V)

- Ideal for undershelf and accent lighting
- 24V Low voltage operation (driver not supplied)
- 2m Input cable
- 100 lm/W efficacy
- 70 degree beam angle coverage
- LED Lifetime >50,000 hrs
- IP54 rating resistance against dust and water splashes
- Dual-Colour: 3000K (Warm White) & 4000K (Cool White)



ORDERING INFORMATION

Order code	12664
Description	3W 24 Volt DC Constant Voltage LED Shelf Light - White - Dual CCT
Item Code	AT9011/24DC/DUAL/WH

EFFICIENCIES

Total System Efficiency	100 lm/W
--------------------------------	----------

The performance of each component of a luminaire is demonstrated through its efficiencies, which together determine the total system efficiency of the product. The output of the LED chip is first multiplied by the optical and thermal efficiencies to calculate the Luminaire efficiency. However, this calculation does not consider the driver efficiency. To determine the overall efficiency of the system, the Luminaire efficiency must be multiplied by the driver efficiency, which accounts for all losses in the system.

MECHANICAL

Adjustability	Fixed
Body Material	Aluminium
Product Finish	Powder coated
Fitting Colour	White
Installation Type	Recessed
IP Rating	IP54 Front Face Only

ELECTRICAL

Electrical Rating	Class III
Input voltage	24Vdc
Maximum Wattage	3 W
Working Temp Range	0 to 40 °C

LAMP

Macadam Steps (SDCM)	5-step MacAdam Ellipse
Beam Angle	70 °
Colour Rendering Index (CRI)	>80

LED LIFETIME

LED Lifetime	>50000 hrs
---------------------	------------

This is the Reported LED Lifetime in Hours based on TM-21. Atom does not list the projected or calculated LED lifetime, which is normally longer as TM-21 Addendum B explicitly states "The Calculated and Projected Lp(Dk) are not to be reported". This Lifetime refers to the life of a single LED however the system life is longer since the probability and binomial distribution of all LEDs in the system means that the average led is performing above the specification and compensates for the LEDs falling below.

COLOUR TEMPERATURE

Warm White (3000K K)	300 lm
Cool White (4000K K)	300 lm

DRIVER

Dimmable	Yes
Driver Included	No
Flex & Plug or Lead Length	2000 mm

COMPLIANCE

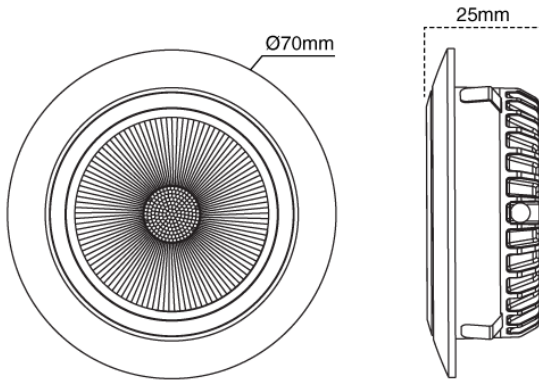
Standards	AS/NZS 60598.1 AS/NZS 60598.2.2 EN55015
-----------	---

DIMENSIONS

Cutout	58 mm
Product Diameter	70 mm
Product Height	25 mm

LINE DRAWINGS

AT9011/24DC/DUAL



Recommended Drivers

Order code	Item Code	Description
11370	AT9643/60	60W 24V Constant Voltage Driver IP20 with Flex and Plug
16091	EV-DRIVER-24V-100W-ND	100W 24V Constant Voltage Driver IP67 with 1m Flex and plug
16092	EV-DRIVER-24V-150W-ND	150W 24V Constant Voltage Driver IP67 with 1m Flex and plug
16093	EV-DRIVER-24V-200W-ND	200W 24V Constant Voltage Driver IP67 with 1m Flex and plug
16089	EV-DRIVER-24V-40W-ND	40W 24V Constant Voltage Driver IP67 with 1m Flex and plug