

ROBUS®

COMMERCIAL

SPEEDBEAM PLUS CCT3 SELECTABLE MULTIWATTAGE LED BATTEN



RLMW



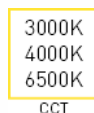
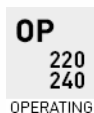
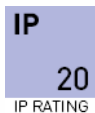
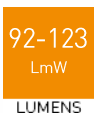
RHA2WEMSTA-PSU

PRODUCT INFORMATION DOCUMENT CONSTRUCTION

- Pressed steel powder coated housing
- Polycarbonate diffuser and end caps
- Prewired with 1m flex and plug
- Quick connectors allowing adding emergency pack (RHA2WEMSTA-PSU) and microwave sensor (RLMW) accessories

FEATURES

- Unique design of each size allowing selection between 4 different lumen outputs to suit installation area requirements
- Light colour temperature selectable between 3000K, 4000K and 6500K
- Easy to open screw-less end caps providing quick and simple installation
- Two-part construction making wiring and installation much easier and faster
- Base suitable for 20mm conduit entry and BESA box mounting



	RSBX06CCT3-01	RSBX12CCT3-01
Comparable to:	1x/2x18W T8	1x/2x36W T8
Total Power (W):	11.6/16.0/18.6/22.4	15.1/21.7/27.4/32.8
Total Light Output (lm):	1500/2040/2330/2740	2090/2970/3650/4250
Efficacy (lm/cctW):	129/128/126/122	138/137/133/129
Lux at 1m (lux):	410/570/650/760	560/800/980/1140
Emergency Lux at 1m (lux):	NA	NA
CCT (K):	3000/4000/6500	3000/4000/6500
CRI:	80	80
IP:	20	20
Operation Temperature (°C)	-20 ≤ Ta ≤ +40	-20 ≤ Ta ≤ +40
Inrush Current:	8A/200us	11A/120us
RG Value:	0	0
L70B50 or the variant:	>60000	>60000
Dimensions LxWxH	630x66x66	1230x66x66
Weight (kg):	0.78	1.52

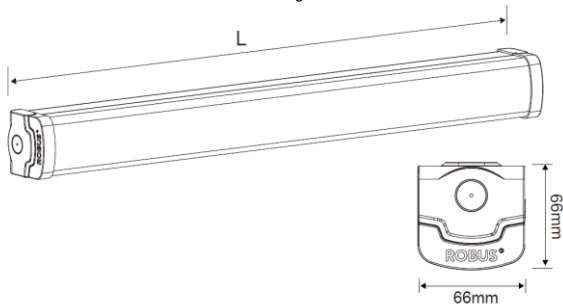
Product is certified to all the relevant standards.

Please contact our technical department for market specific compliances.

ACCESSORIES:

RHA2WEMSTA-PSU
RLMW

2hr Plug-in Emergency Pack
Plug-in Microwave Sensor



	Wattages	Length	Weight	CCT
RSBX06CCT3	12/16/18/22W	630mm	0.78kg	3000K/4000K/6500K
RSBX12CCT3	16/22/28/32W	1230mm	1.52kg	3000K/4000K/6500K

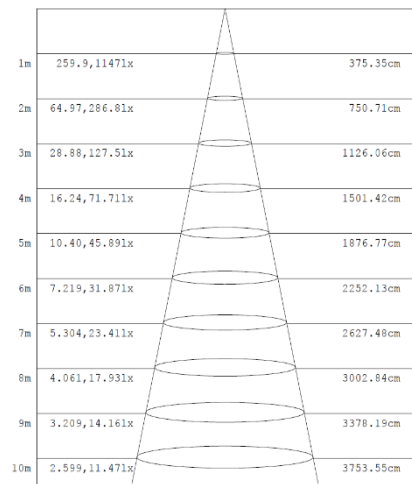


Diagram for RSBX12CCT3-01 in 32W 4000K. Other diagrams available on request

PLEASE NOTE: INFORMATION IN THIS DOCUMENT MAY BE SUBJECT TO CHANGE WITHOUT PRIOR NOTICE

IRE: TEL: +353 1 709 9000
UK: TEL: 0800 973 220
AUS: TEL: +61 7 3890 5444
NZ: TEL: +64 03 668 5285

WEB: WWW.ROBUS.COM
WEB: WWW.ROBUS.COM
WEB: WWW.ROBUS.COM.AU
WEB: WWW.ROBUSLED.CO.NZ

LED GROUP EUROPE · AUSTRALIA · NEW ZEALAND · ASIA · MIDDLE EAST · AFRICA