



 COOLON

CP24

85W LED Flood Light

A mid-sized powerful flood light designed for mobile plant

The CP24 LED Light offers the most robust and heavy-duty lighting solution for tough mining machinery. It delivers high power light in the most demanding environments.

Designed for use in:

- Bulldozers
- Drag Lines
- Excavators
- Trucks
- Processing Plants
- ROM Pads
- Stacker / Reclaimers
- Low voltage mobile towers

 DESIGNED &
MANUFACTURED
IN AUSTRALIA



Raw power for the harshest environments

The CP24 is a 85W LED Flood light designed for the harshest environments and provides unrivaled reliability and performance, critical for demanding applications.



Built to last

Unlike conventional LED floodlights, the CP24 was designed to withstand constant abuse.

- Resistant to Vibration
- Impact and Shock Proof
- Chemical Resistant
- High Pressure Washable
- Unaffected by Severe Temperature Variations



COOL SURFACE TEMPERATURE

Coolon's Industrial LED fittings have a much lower surface temperature than traditional HID equivalents which prevents dirt from baking onto the luminaire. This allows for easier cleaning and will prolong the lifespan of the luminaire.



INSTANT ON/OFF

LEDs do not require warm up. Instant on to 100% output translates to no downtime, improved safety and the ability to utilize sensor switching to significantly save energy.



NO FLICKERING

LED luminaires run on constant low voltage DC power and do not produce any visible stroboscopic effects, thus reducing the strain on eyes and significantly improving safety in areas where moving machinery is present.

IP66

HIGH IP RATING - IP66

Coolon's Industrial LEDs are designed specifically to withstand the harsh conditions in mining environments. The robust design allows our LED products to be used in many different applications and are high pressure washable.



UNRESTRICTED BURNING POSITION

Coolon's LED luminaires can be positioned and oriented in any desired way without affecting the lifespan of the product. This gives greater flexibility when it comes to aiming angles and orientation.



EXTRA LOW VOLTAGE OPERATION

Our products operate on extra low voltage DC power. It is substantially safer to work with than conventional mains powered light sources.

3
YEARS

3 YEARS FACTORY WARRANTY

Coolon Luminaires are covered by a solid comprehensible manufacturer's warranty that covers a range of possible defects and performance parameters throughout the duration of the warranty period.

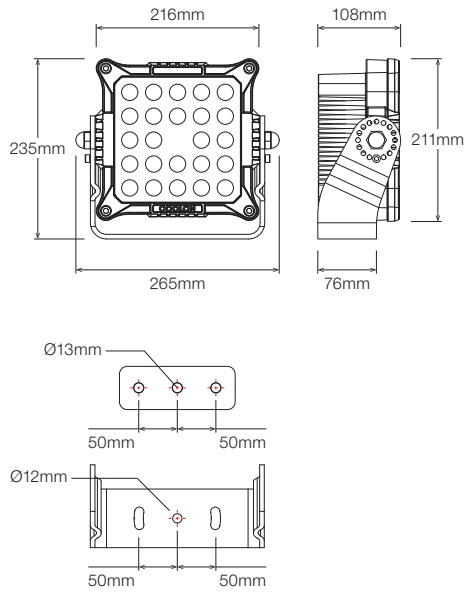


PROUDLY MADE IN AUSTRALIA

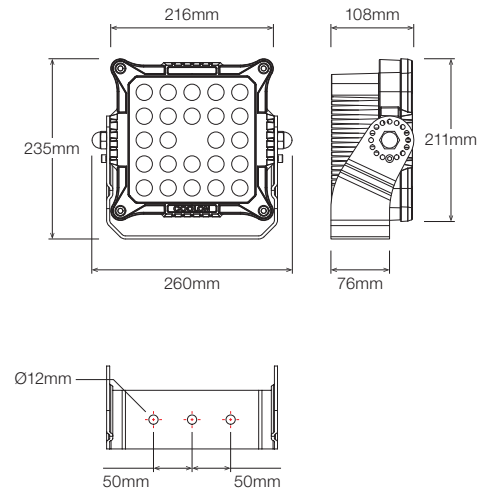
Engineered to perfection, using only the highest quality components and highly skilled labour, each luminaire is assembled and thoroughly tested to ensure that it exceeds the highest standards.

DIMENSIONS

CP24 Luminaire with Mobile Plant Bracket

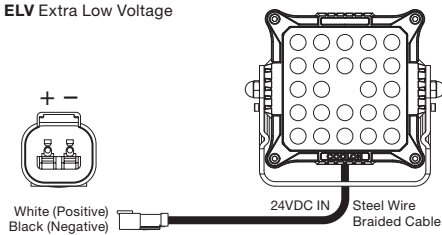


CP24 Luminaire with Fixed Plant Bracket



CONFIGURATION

ELV Extra Low Voltage



TECHNICAL SPECIFICATIONS

| | |
|---|--|
| Product | CP24 LED Flood Light |
| Model | CP24 |
| Optical Characteristics | |
| Luminous Flux (Photometered) | 7,456 – 11,410 lm |
| CCT | CWT |
| CRI | >70 |
| Electrical Characteristics (Luminaire) | |
| Power Consumption | 85W |
| Nominal Voltage | 24VDC |
| Voltage Range | 21 – 34VDC |
| Cable Type | UL2517, 16 AWG x 2C Braid PVC, UV Resistant with Deutsch DT04-2P Connector |
| Cable Diameter | 7.5mm |
| Cable Length | 200mm |

| | |
|-------------------------------|--|
| Environmental | |
| IP Rating | IP66 |
| Impact Rating | IK08 |
| Salt Spray Tested | Yes |
| Operating Temp. Range | -20 to +50°C |
| Thermal Management Type | Active/Continuous |
| Expected Lifespan | 50,000 Hours to 70% Brightness |
| Material Composition (Body) | LM6 Aluminium Alloy (<0.1% copper content) |
| Material Composition (Optics) | PC |
| Material Composition (Cover) | Tempered Glass |
| Mounting Bracket Type | MPB (Standard) FPB |
| Angle Adjustment | 11.25° Steps |
| Weight/Packaging | |
| Luminaire Weight | 4kg 4kg |
| Bracket Weight | 2kg 1.1kg |
| Packaging Dimensions | 280 x 280 x 140mm |
| Packaging Weight | 6.4kg 5.5kg |

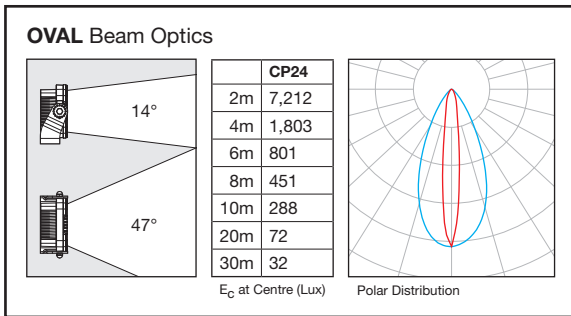
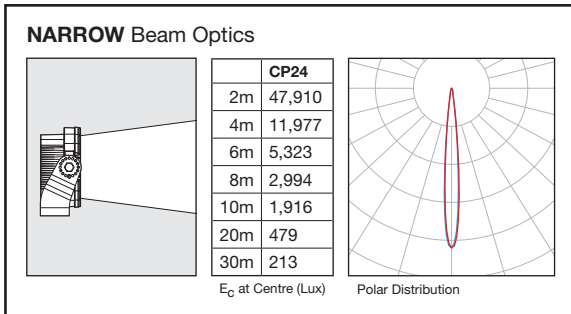
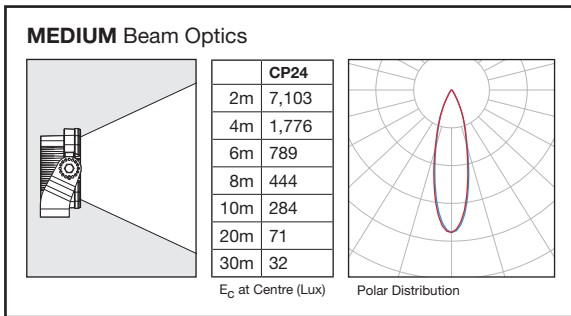
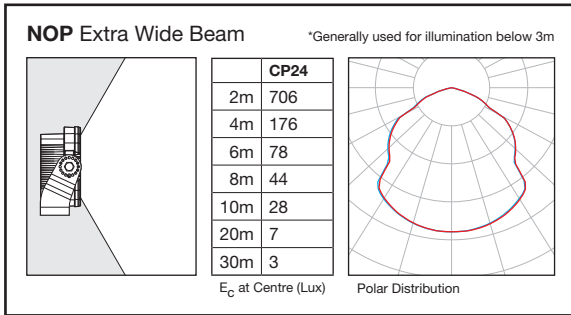
Warranty

| | |
|----------|--|
| Warranty | 3 years warranty as standard 5 years extended warranty optional |
|----------|--|

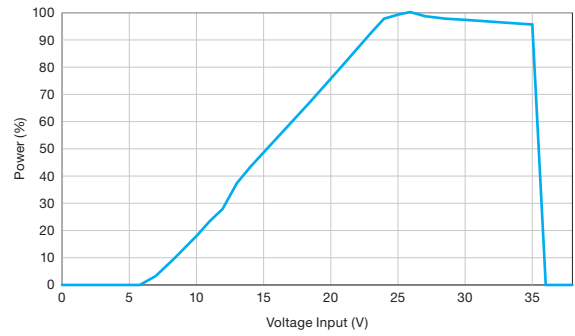
¹ Optical and electrical characteristics are measured using Cool White LEDs (CWT)

² Reading taken while test unit operating in steady state. Ambient temperature during testing is typically 25°C. Individual unit behaviour may differ due to electronic component tolerance and ambient conditions. Product parameters and application suitability shall be checked by the user prior to commissioning.

ILLUMINANCE AT DISTANCE



SUPPLY VOLTAGE VS POWER



ORDERING EXAMPLE

CP24 - MEDIUM - MPB¹ - ELV

PRODUCT

OPTICS

MOUNTING

SUPPLY OPTION

| PRODUCT | OPTICS | MOUNTING | SUPPLY OPTION |
|---------|----------------------------|--------------------------|-----------------------|
| CP24 | NOP Extra Wide Beam Optics | MPB Mobile Plant Bracket | ELV Extra Low Voltage |
| | MEDIUM Medium Beam Optics | FPB Fixed Plant Bracket | |
| | NARROW Narrow Beam Optics | | |
| | OVAL Oval Beam Optics | | |

¹ If MOUNTING is not specified, Mobile Plant Bracket (MPB) will be supplied.