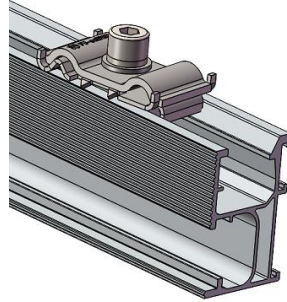


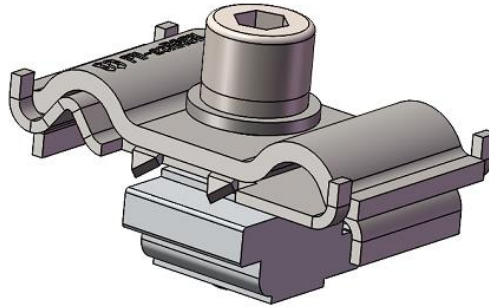
Grounding Lug

Assembly



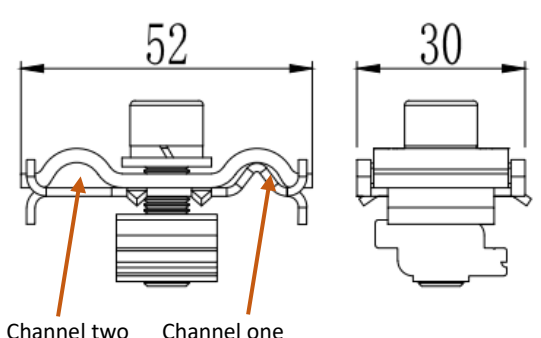
Fix into the top channel of Rail

Component



The Austin – Commercial Grounding Lug with SUS316
Part No.: EZ-GL-AT (bar code: 12-023-00082)

Technical Specification

Application	Fixing earthing cable in PV-ezRack mounting system	
Fixing method	Fixing into ECO/T50/T110 Rail with Z module	
Earthing Cable Size	Channel One: 4, 6, 10 and 16mm ² Channel Two: 25,35, 50mm ²	
Dimensions	W30mm*L52mm	
Weight	0.073 kg	
Packaging	8 pcs per bag, 120 units per pack, 2 packs (240 units) per carton Carton weight: 17 Kg	
Material	Lug: SUS316; Bolt/Washer: SUS316 Z module: AL6005-T5	