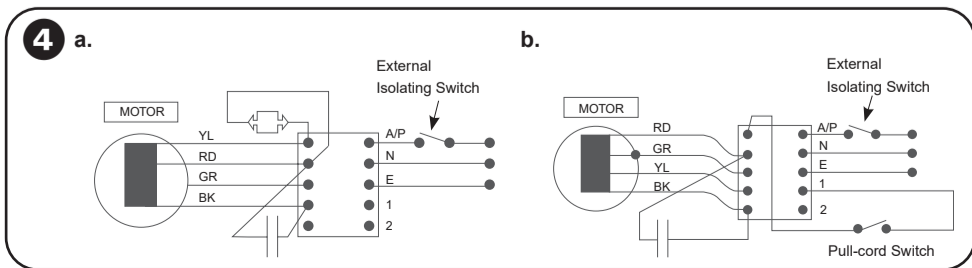
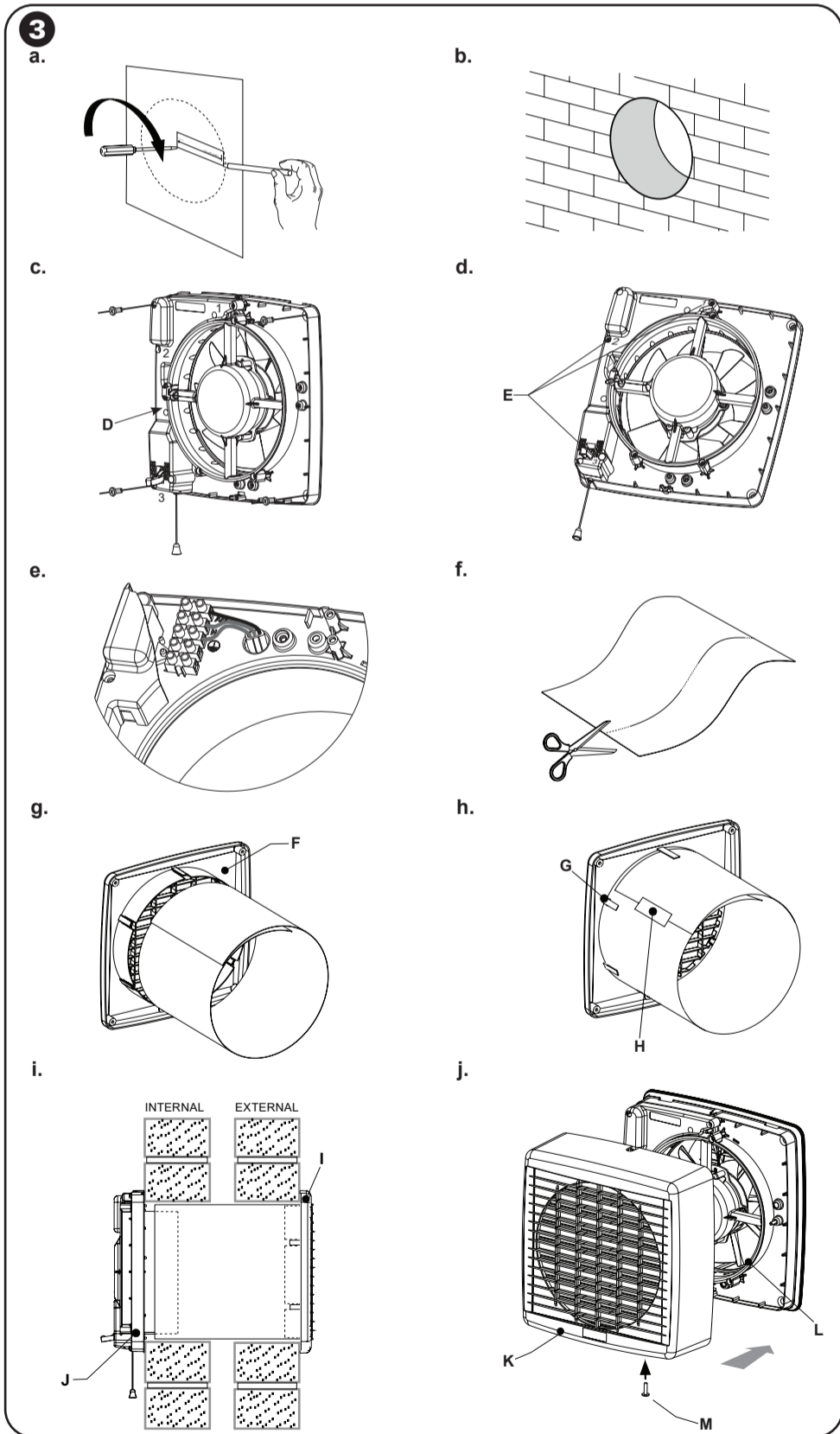
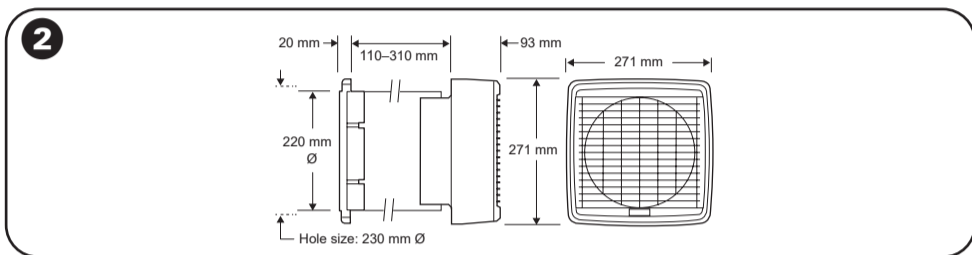
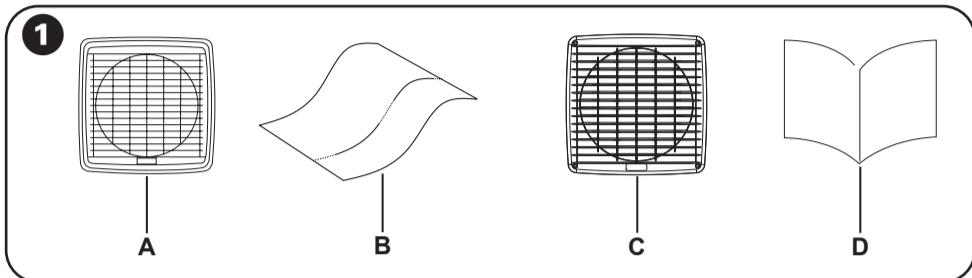


7106AN
7108AN



About this product

The Wall Exhaust Fan (hereinafter referred to as fan) offers high-performance air extraction. The stylish, low profile grille can be removed easily for cleaning. The fan has automatic shutters, which silently operate to efficiently exhaust the air.

Features

- High airflow.
- Shutters close to prevent insects and back draught from entering.

Applications

Residential: Bathrooms, toilets, laundries, sheds.
Commercial: Bathrooms, toilets, dining rooms, sheds, warehouses.

1 Package contents

- A Wall exhaust fan (7106AN/7108AN)
- B PVC sheet
- C Grille
- D Installation guide

2 Dimensional drawings

Follow the dimensions for a good fit of the fan into the wall.

Note: A hole cut-out template is provided on the box flap to mark the mounting hole for the fan.

3 Mounting the fan

⚠ DANGER

HAZARD OF ELECTRIC SHOCK, EXPLOSION, OR ARC FLASH

- The fan must be installed and serviced by qualified electrical personnel only and in accordance with local regulations.
- Turn off from supply mains before you perform any maintenance activity.
- Do not operate the fan without the cover fitted.
- Do not use the fan if the shutters do not open one minute after turning it ON.
- If the supply cord is damaged, it must be returned to customer service agent for the replacement.
- The fan may adversely affect the safe operation of appliances burning gas or other fuels (including those in other rooms) due to the backflow of combustion gases. These gases can potentially result in carbon monoxide poisoning. After the installation of a fan such as a partition fan or a duct fan, the operation of flued gas appliances should be tested by a competent person to ensure that the backflow of combustion gases does not occur.

Failure to follow these instructions will result in death or serious injury.

⚠ CAUTION

EQUIPMENT DAMAGE

- The fan is intended for installation through external walls only.
- The fan is intended to be mounted at least 2.1 m above the floor.
- Ensure that children do not play with the appliance.
- The appliance is not intended for use by children or infirm persons without supervision.

Failure to follow these instructions can result in injury or equipment damage.

- (1) Check that the proposed location of the fan will not foul on joists, existing wiring, or other internal wall features (wall thickness between 110 mm and 310 mm).
- (2) Use the cutout template supplied to mark the mounting hole for the fan (Fig. a). Anchor the template with a nail or similar object in the center point and insert a pencil through the template at the point indicated adjacent to it to complete the circle.
- (3) Cut a circular hole in the wall 230 mm in diameter for the fan (Fig. b).
- (4) Screw the fan assembly to the wall via four corner mounting points on the fan assembly (Fig. c).

D Fan assembly
NOTE: Use appropriate fasteners for wall type (fasteners not supplied).

- (5) Remove the terminal cover by undoing the screws marked 1, 2, and 3, and retain the terminal cover to the chassis (Fig. d).
- (6) Break tab on fan assembly and feed supply cable (3 core flex, 1.5 mm² min. conductor size, 7 mm max. outer cable insulation diameter) to terminal block (Fig. e). Strip wires of supply cable (strip length 10 mm) and connect to terminals on terminal block marked A/P (Active), N (Neutral), and Ⓧ (Earth).
- (7) Fit the terminal cover and fasten it with screws marked 1, 2, and 3.

NOTE: Before fitting the terminal cover, ensure that the lever that protrudes through the cover is in the OFF position (lowest position) and that the fan is OFF for at least five minutes for the auto shutter version.

- (8) Cut the PVC sheet supplied to suit the depth of the wall (Fig. f).
- (9) Coil the cut PVC sheet around the wall grille outlet spigot and slide it into the retaining clips (Fig. g).
- (10) Attach sticky tape to the overlapping point on the PVC sheet to help secure the PVC sheet in position (Fig. h).
- (11) Slide the wall grille outlet/PVC sheet assembly into the 230 mm diameter hole from the external wall, ensuring that the PVC sheet overlaps the duct on the fan assembly by a minimum of 20 mm (Fig. i).
- (12) Fasten the wall grille outlet to the external wall via the four corner mounting points on the wall grille outlet.

NOTE: Use appropriate fasteners for wall type (fasteners not supplied).

- (13) Place the cover assembly onto the fan assembly so that the clips on top of the cover assembly clip into place (Fig. j).
- K** Cover assembly
- L** Fan assembly
- (14) Tighten the retaining screw at the bottom of the fan assembly to help prevent the removal of the cover assembly (Fig. j).
- M** Retaining screw
- (15) Test the fan to ensure correct operation prior to use.

NOTE: The fan operates correctly when the shutters open and it draws air to the outside of the building. If the shutters do not open when the fan is turned ON, check if the cover assembly is fitted correctly. If the fan is not drawing air to the outside of the building when turned ON, check if the fan has been wired correctly.

4 Electrical connections

Perform wiring connections as per the wiring diagram.

- 7106AN - Auto switched fan model**
- 7108AN - Pull-cord switched fan model**

Note: Shutter Operation

Do not turn on auto-switched models without fitting the front cover. Thermal actuators are fitted to auto-switched fans, which require approximately three minutes to fully open and sixty seconds to fully close the shutters. Pull cord models are operated either by the built in pull cord and/or separate switch (thermal actuator). It is also important to note the delay on opening and closing of shutters if using a separate switch to operate the fan.

Maintenance

To clean the fan, it must be turned OFF and isolated at the isolation switch. Wipe the fan with a damp cloth and if required remove the cover assembly to allow easy cleaning of the shutters.

Technical data

Model No.	7106AN	7108AN
Airflow		470 m ³ /hr
Sound level (at 3 m)		53 dBA
Motor type	Ball bearing	
Shutter operation	Auto	Pull-cord
Number of speeds	1	
Rated voltage	230–240 Vac / 50 Hz	
Power rating	25 W	20 W
Full load current	0.11 A	0.08 A

Warranty information (Australia)

We warrant this product for 3 years—visit <https://www.se.com/au/en/about-us/legal/terms-and-conditions.jsp> for details.

Our goods also come with guarantees that cannot be excluded under the Australian Consumer Law. You are entitled to a replacement or refund for a major failure and compensation for any other reasonably foreseeable loss or damage. You are also entitled to have the goods repaired or replaced if the goods fail to be of acceptable quality and the failure does not amount to a major failure.

Warranty information (New Zealand)

We warrant this product for 3 years—visit <https://www.se.com/nz/en/about-us/legal/terms-and-conditions.jsp> for details.

Schneider Electric (Australia) Pty Ltd

Customer Care: 13 73 28
33-37 Port Wakefield Road, Gepps Cross SA 5094
Email: customer care.au@se.com
www.se.com

Schneider Electric (NZ) Ltd

Customer Care: 0800 652 999
Building 6, 60 Highbrook Drive, East Tamaki, 2013, New Zealand
Email: customer care.nz@se.com
www.se.com

Schneider Electric reserves the right to change specifications, modify designs and discontinue items without incurring obligation and whilst every effort is made to ensure that descriptions, specifications and other information in this instruction is correct, no warranty is given in respect thereof and the company shall not be liable for any error therein.

© Schneider Electric 2023

This material is copyright under Australian, New Zealand and international laws. Except as permitted under the relevant law, no part of this work may be reproduced by any process without prior written permission of and acknowledgement to Schneider Electric.