

CEF40N-WE  
CEF40KIT



**About this product**

The Ceiling Exhaust Fan (hereinafter referred to as fan) has a flexible design that allows it to be mounted in a variety of applications. The fan can be ducted or left open depending on the local building requirements. The fan is equipped with a plug and lead for easy installation.

**Features**

- Suitable for ducting.
- Round body for easy installation into the ceiling.
- Slimline profile for modern interiors.
- High-performance ball bearing motor and centrifugal fan.

**Applications**

**Residential:** Bathrooms, toilets, laundries.  
**Commercial:** Bathrooms, toilets.

**1 Package contents**

- A** Ceiling exhaust fan (CEF40N-WE)
- B** Grille
- C** Template
- D** Installation instructions

**NOTE:** The CEF40N-WE model includes only the exhaust fan and grille. If you wish to vent air directly to the outside of the room, a ducting kit accessory (CEF40KIT) must be purchased separately.

**2 Ducting kit accessory (CEF40KIT)**

- E** 3 m x Flexible ducting fitted with a clip-on adapter
- F** 1 x Wall outlet flange
- G** 1 x Clip-in outlet louvre
- H** 4 x Clip-in outlet gravity shutters
- I** 2 m x Roll of duct tape
- J** 1 x Cable tie

**3 Dimensional drawings**

Follow the dimensions for a good fit of the fan into the ceiling.

**4 Choose suitable location to install**

**⚠ ⚠ DANGER**

**HAZARD OF ELECTRIC SHOCK, EXPLOSION, OR ARC FLASH**

- The fan must be installed and serviced by qualified electrical personnel only and in accordance with local regulations.
- Turn off from supply mains before you perform any maintenance activity.
- Do not use it to exhaust hazardous or explosive vapors.
- Do not operate the fan without the grille or damaged wiring.
- If the supply cord is damaged, it must be returned to customer service agent for the replacement.
- The fan may adversely affect the safe operation of appliances burning gas or other fuels (including those in other rooms) due to the backflow of combustion gases. These gases can potentially result in carbon monoxide poisoning. After the installation of a fan such as a partition fan or a duct fan, the operation of flued gas appliances should be tested by a competent person to ensure that the backflow of combustion gases does not occur.

**Failure to follow these instructions will result in death or serious injury.**

**⚠ CAUTION**

**EQUIPMENT DAMAGE**

- Ensure that children do not play with the appliance.
- The appliance is not intended for use by children or infirm persons without supervision.
- The appliance is intended for ceiling mounting only.
- Do not suspend the fan from the power cord or flexible ducting.

**Failure to follow these instructions can result in injury or equipment damage.**

- (1) Locate the position of the fan on the ceiling. It is safer to mark the position from above the ceiling hole where the obstructions are clearly visible, rather than from inside the room.
- (2) Locate the position of the surface socket. If the surface socket is already installed, the fan should be located no further away than 300 mm.
- (3) Use the supplied template to mark the mounting hole for the fan. Anchor the template with a nail or similar object and insert a pencil through the template at the point indicated adjacent to it to complete the circle.

**NOTE:** Make sure there are no electrical cables in the way before you start cutting.

**5 Identifying clearances and obstructions**

- (1) Identify appropriate location for ducting and outlet.
  - A** Ensure fan and swing-out clips are clear of obstructions.
  - B** Ensure the duct will sit on top of obstructions.
  - C** Ensure the grille will not be obstructed.
  - D** Ensure the cavity (above ceiling material) is greater than 225 mm.
  - E** Ensure there is a 30 mm clearance around the hole cutout.
- (2) The outlet can exit via the side wall or under the eaves.

**6 Marking the ducting outlet hole location**

- (1) Identify where the outlet should be placed and ensure there is sufficient clearance and no obstructions.
- (2) Use the supplied template to mark the hole location. Use the circular portion of the template for easy-to-cut materials such as timber (or plasterboard) and the rectangular portion of the template for brick walls.

The outlet has been designed to fit within two courses of standard 76 mm high bricks with 10 mm mortar. To assist the installation of the outlet on brick walls there is also a brickwork chassis available as a separate accessory (not included in the ducting kit accessories).

**7 Connecting ducting to outlet frame**

- (1) Run the flexible ducting from the fan location to the outlet and connect the ducting to the outlet frame using the supplied cable tie, pull the ducting until it stops, then use the supplied duct tape to seal the joint.
  - a.** Attach using supplied cable tie
  - b.** Pull ducting over the barbs until it stops
  - c.** Seal the joint with supplied duct tape
- (2) Fit the outlet frame to the wall/eaves and then clip in either the gravity shutters or the fixed grille.
  - d.** Mounting to a side wall
  - e.** Mounting under eaves

**8 Mounting and electrical connections**

- (1) Clip the flexible ducting (with its pre-assembled duct adaptor) to the fan.
- (2) Connect the 2-pin plug to the power outlet.
- (3) Insert the fan assembly into the mounting hole.
- (4) Use the three levers to swing out the mounting clips.
- (5) Use a screwdriver (or battery driver with a low torque setting) to tighten the screws (within the swing-out clips) and clamp the fan against the ceiling material.

**9 Attach the grille**

Clip the grille onto the fan and ensure all clips are fully engaged. Rotate the grille to ensure alignment with the side walls.

**Maintenance**

**Grille:** The inlet grille can be simply removed from the fan and washed using warm water. It is not recommended for cleaning in dishwashers.

**Fan:** Use a damp cloth (using water only) to wipe down the fan and surrounding housing. Do not use cleaning agents or solvents when cleaning the fan.

**Troubleshooting**

Every fan is tested for correct operation before leaving the factory. However, if you are having problems with your fan, try the following:

**1. Fan is not operating**

- If the fan is activated by a switch, ensure the switch is turned on.
- If the fan is activated by a sensor, ensure the sensor is operating correctly.
- If the fan is activated by a timer, ensure the timer is operating correctly.
- Check that mains power is being provided to the fan.

**NOTE:** Turn off the power supply before you perform any maintenance activity.

- Remove the grille and ensure the fan blade is free from obstructions.

**2. Fan is noisy**

- Some noise is normal, exhaust fans move large amounts of air quickly and this naturally results in noise, however, some additional noises can be introduced.
- Check that the fan is free from obstructions.
- Check the fan is screwed/clamped to the ceiling firmly as a loose fan can vibrate or rattle.
- Ensure the inlet grille is clipped on properly (a small gap of about 2 mm between the grille and the ceiling is normal).

**3. Fan doesn't move enough air**

An exhaust fan removes air from a room and requires that air to be replaced. This occurs at the gap below the door or around the windows. However, if there is insufficient "replacement air" available then the fan is forced to work harder, and the air movement is reduced.

- Run the fan with the door open and slowly close the door. If the noise of the fan changes and sounds like it's laboring, you may have insufficient "replacement air". To correct this, you can increase the gap at the bottom of the door or install a door grille.
- If the fan is ducted, ensure the duct adapter is clipped onto the fan correctly allowing the backdraft shutter to open fully.
- If the fan is ducted, check there are no obstructions to the outlet grille.
- The inclusion of insect screens within the outlet can result in lower air-movement performance. Regular cleaning of the insect screen may be required to remove duct buildup that will block the outlet.
- Failure to remove blockages to the airflow may void the warranty.

**4. The lever that operates the swing-out clips does not sit flush against the wall of the fan**

- There must be 30 mm of clearance around the mounting hole to ensure the swing-out clips do not hit obstructions.

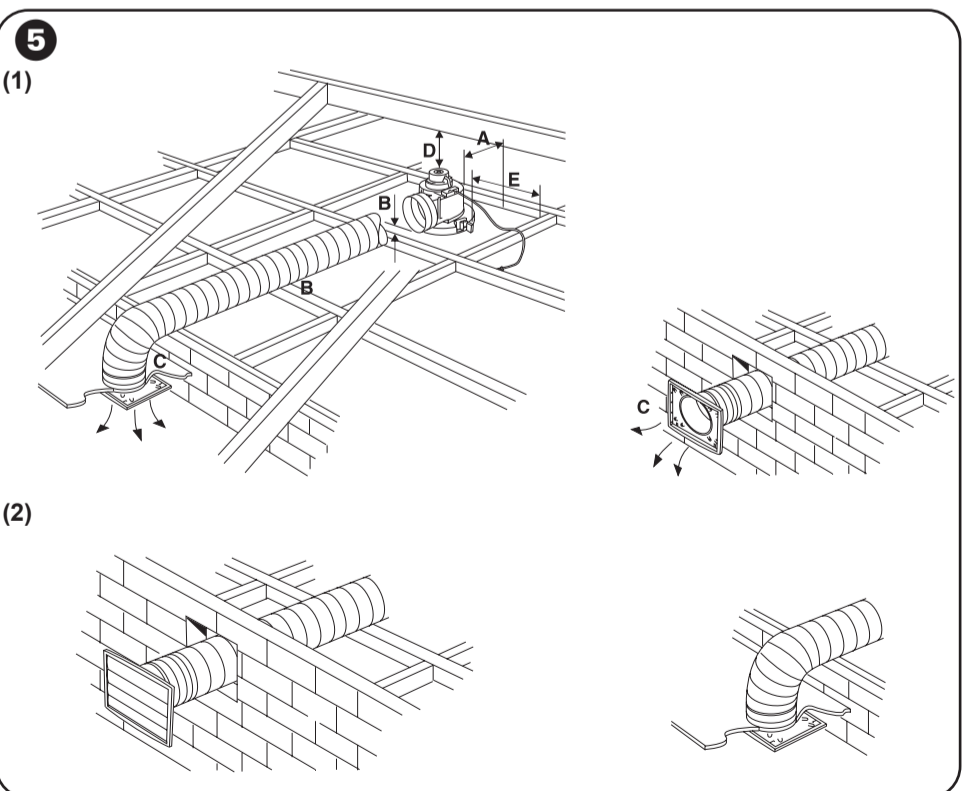
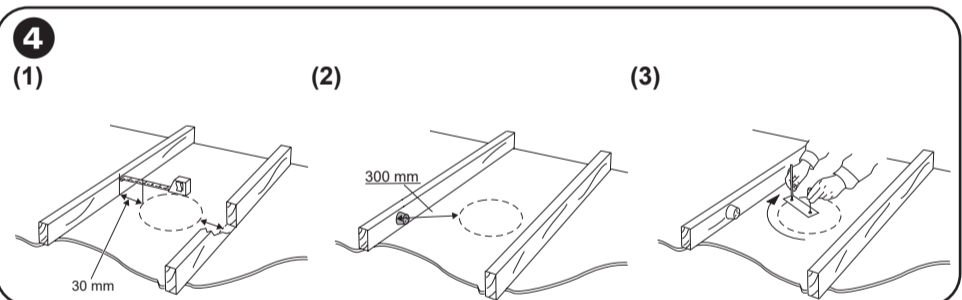
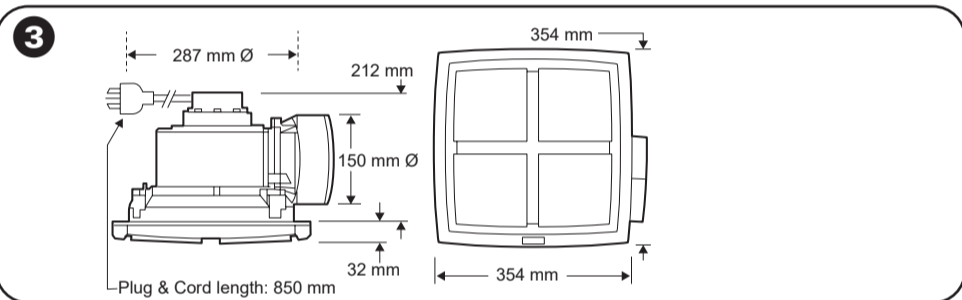
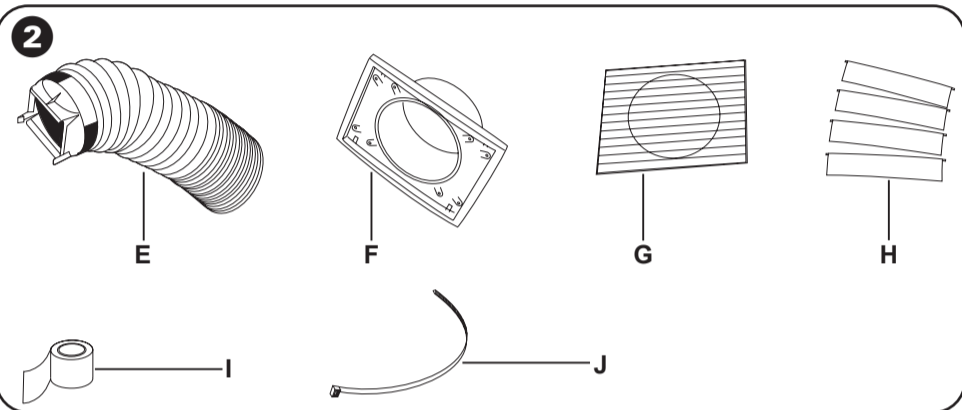
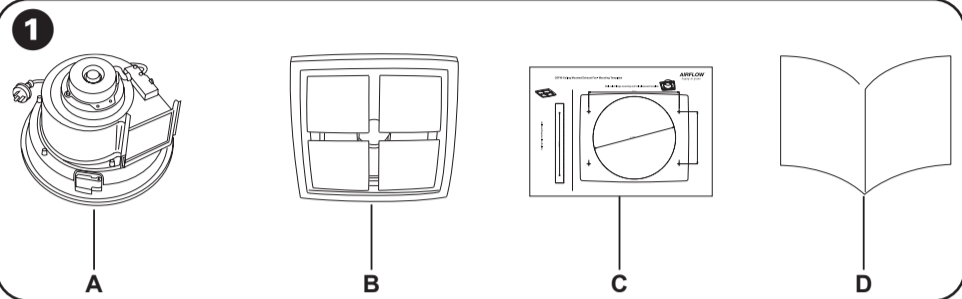
**Technical data**

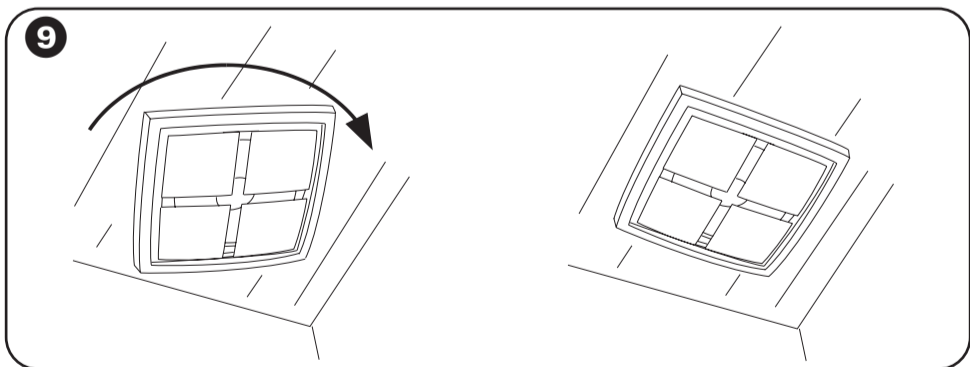
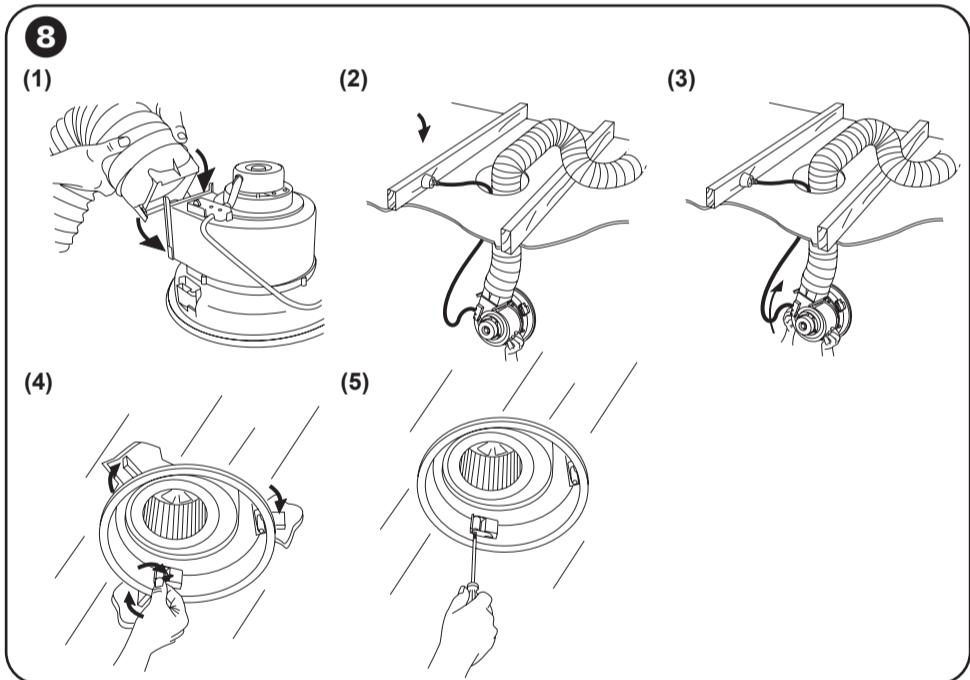
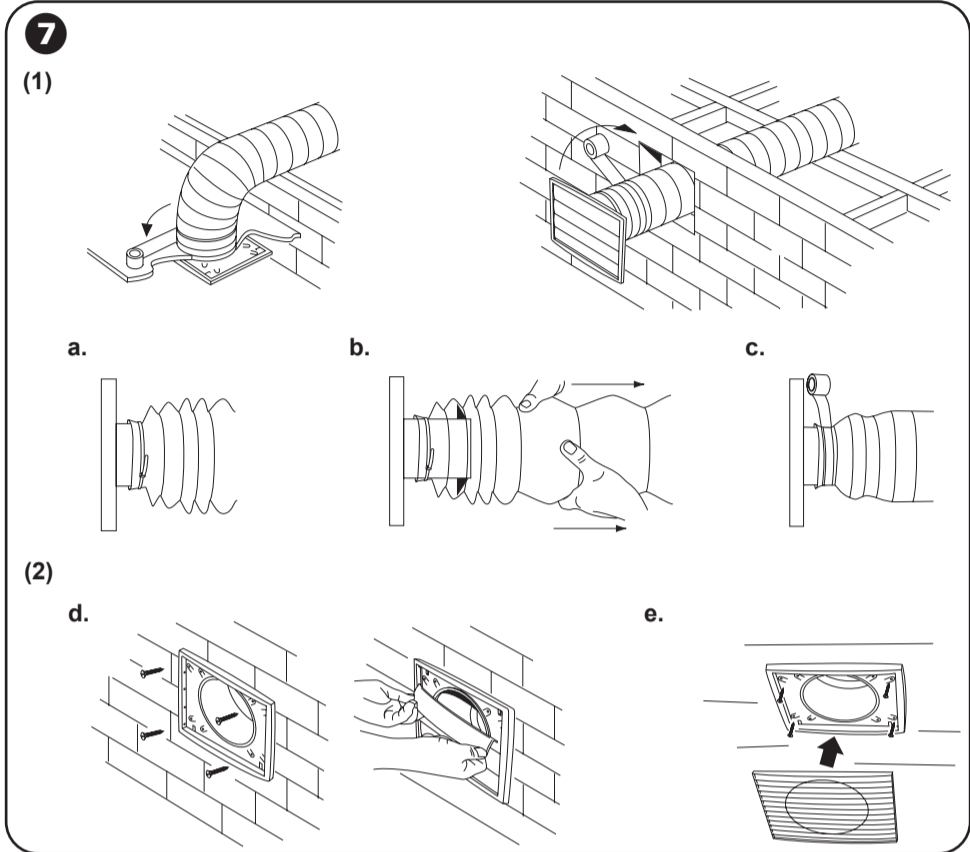
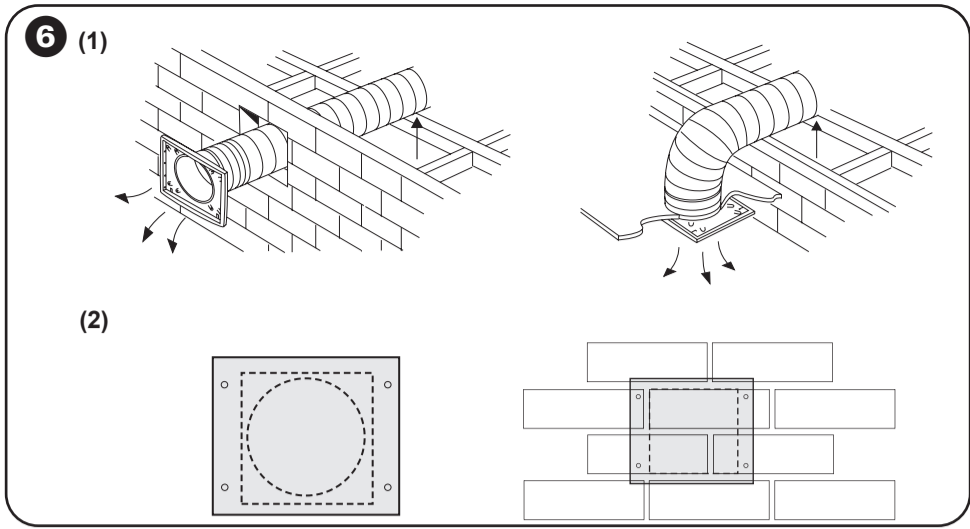
Airflow	No ducting	With 3 m ducting and 90° bend
	290 m³/hr	265 m³/hr
Sound level (at 3 m)	50 dBA	
Plug and cord length	3-pin plug with 850 mm cord length	
Mounting	Ceiling	
Fan type	Centrifugal	
Ductable	Yes	
Rated voltage	230–240 Vac / 50 Hz	
Power rating	35 W	
Full load current	0.15 A	

**Warranty information (Australia)**

We warrant this product for 3 years—visit <https://www.schneider-electric.com.au/en/about-us/legal/terms-and-conditions.jsp> for details.

Our goods also come with guarantees that cannot be excluded under the Australian Consumer Law. You are entitled to a replacement or refund for a major failure and compensation for any other reasonably foreseeable loss or damage. You are also entitled to have the goods repaired or replaced if the goods fail to be of acceptable quality and the failure does not amount to a major failure.





**Warranty information (Australia)**

We warrant this product for 3 years—visit <https://www.se.com/au/en/about-us/legal/terms-and-conditions.jsp> for details.

Our goods also come with guarantees that cannot be excluded under the Australian Consumer Law. You are entitled to a replacement or refund for a major failure and compensation for any other reasonably foreseeable loss or damage. You are also entitled to have the goods repaired or replaced if the goods fail to be of acceptable quality and the failure does not amount to a major failure.

**Warranty information (New Zealand)**

We warrant this product for 3 years—visit <https://www.se.com/nz/en/about-us/legal/terms-and-conditions.jsp> for details.

**Schneider Electric (Australia) Pty Ltd**

Customer Care: 13 73 28  
33-37 Port Wakefield Road, Gepps Cross SA 5094  
Email: [customer care.au@se.com](mailto:customer care.au@se.com)  
[www.se.com](http://www.se.com)

**Schneider Electric (NZ) Ltd**

Customer Care: 0800 652 999  
Building 6, 60 Highbrook Drive, East Tamaki, 2013, New Zealand  
Email: [customer care.nz@se.com](mailto:customer care.nz@se.com)  
[www.se.com](http://www.se.com)

Schneider Electric reserves the right to change specifications, modify designs and discontinue items without incurring obligation and whilst every effort is made to ensure that descriptions, specifications and other information in this instruction is correct, no warranty is given in respect thereof and the company shall not be liable for any error therein.

© Schneider Electric 2023

This material is copyright under Australian, New Zealand and international laws. Except as permitted under the relevant law, no part of this work may be reproduced by any process without prior written permission of and acknowledgement to Schneider Electric.