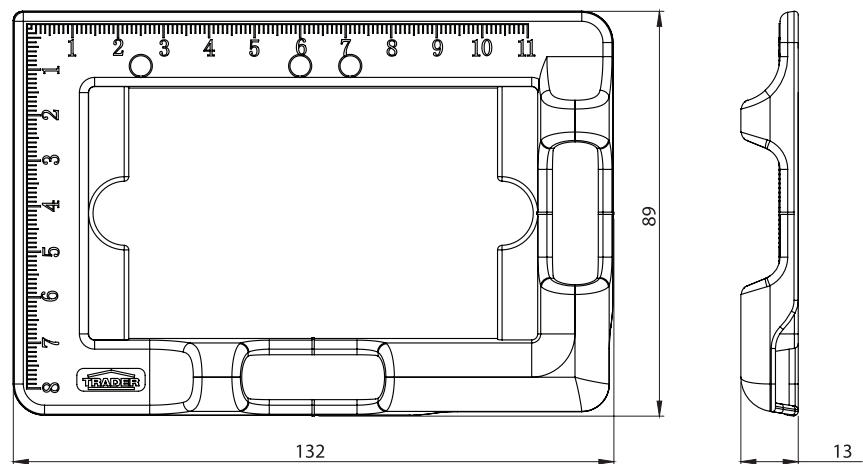


HYSPIRIT



Hyena Cutting Template Spirit Level for Switches, Sockets and Wall Plates

- Colour: Transparent
- Ideal for fast, simple, accurate installations every time.
- Horizontal and vertical spirit level.
- Convenient inbuilt ruler 110mm x 80mm marked in millimetres on two edges.
- Internal cut out dimensions (excluding cutaways for mounting bosses of plates) 80mm x 55mm.
- Compact and easy to use.
- Used with Flat Cat series wall plates or other TRADER series plates.
- Ideal for horizontal or vertical application.
- Suitable for marking out and preparation for cutting apertures for C-clips or other mounting bracket accessories.
- Ideal for power points, light switches, data plates and TV plates for a neat clean installation, no big gaping holes!



Catalogue Number	Description
HYSPIRIT	Spirit Level for Switches Sockets and Wall Plates