

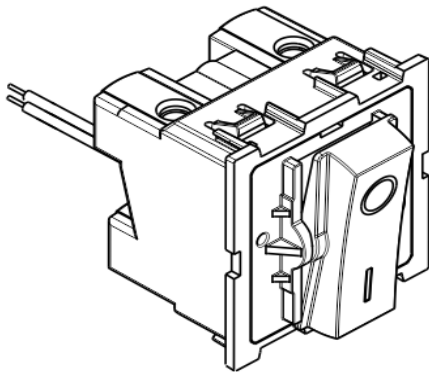
Living Now™

Ref . No. : KG4302V32

32A DP SWITCH 2M IND

Date : 29/11/2021

Rev.1

**1. USE**

General lighting control mechanism, Gadgets power control mechanism.

2.Type

One Way Switch with indicator double pole

No. of modules : 2

Colour : Black

Mounting : Flush and Surface - mounted

3.OVERALL DIMENSIONS

Width : 44.7 mm

Height :45.2 mm

Depth : 50.14 mm

Weight (g) : 57.48 gm

4.CONNECTION

Terminal : with screws

Capacity : 2.5mm² to 10mm²

Stripping : 10 mm

Screwdriver : 4mm flat-blade up to 5 mm

5.OPERATION

Switch with rocker

6.TECHNICAL CHARACTERISTICS**6.1 Material Characteristics**

Rocker : Polycarbonate

Base : Polycarbonate

Lens : Polycarbonate Opalscent

Terminal : Brass

Socket Screws : Brass

Plunger : PA66 + 20%SI + PTEE

Under cover : Polycarbonate

Plunger spring : Steel

Moving Contact : Copper

Pivot Contact : Copper

Fixed Contact : Copper

Clamp Screw : Steel with zinc plating

6.2 Electricals Characteristics

Voltage :230V AC

Current : 32A

Self - extinguishing : 850° C / 30 s.

7.CONFORMITY - APPROVALS

As per IS : 3854