

Eclipse

- Powerful ball bearing motor for superior reliability
- Draught stopper for improved energy efficiency
- Enjoy quiet operation
- Supplied with flex and plug for easy DIY installation
- 3-year return to base warranty for peace of mind



ORDERING INFORMATION

Order code	16758
Description	290mm 35W Ducted exhaust fan with round white fascia
Item Code	ECLIPSE/290/WH/RD

MECHANICAL

Product Finish	Matt
Fitting Colour	White
Installation Type	Recessed
IP Rating	IPx4

ELECTRICAL

Electrical Rating	Class I
Input Frequency	50 Hz
Input voltage	230Vac
In Australia the Input voltage is defined as 230Vac -6%/+10%. This effectively means that the voltage range of these products are 216Vac - 253Vac or 240V +6%	
Working Temp Range	-10 to 40 °C

EXHAUST

Outlet	150 mm
Noise level	45 dB
Motor Wattage	35 W
Motor Type	Ball bearing
Fan Type	Centrifugal
Fan Size	290
Air extraction	350 m3/hr

DRIVER

Flex & Plug or Lead Length	900 mm
Wiring Type	Re-wireable Flex & Plug (3 pin)

COMPLIANCE

Product Design Life	10 years
The product design life relates to the total product life which includes LEDs, drivers and the enclosure. This is different to the LED lifetime which only refers to the economical lifetime of the LEDs at which time the lumen output has dropped below the L Value. The product design life is calculated at the maximum ambient or working temperature of the product and takes into account the Daily Use.	
Daily Use	2 hrs
The Daily Use is the recommended time required to meet the product's design life. Installations can exceed this time, however the product design life will be reduced proportionally.	

WARRANTY

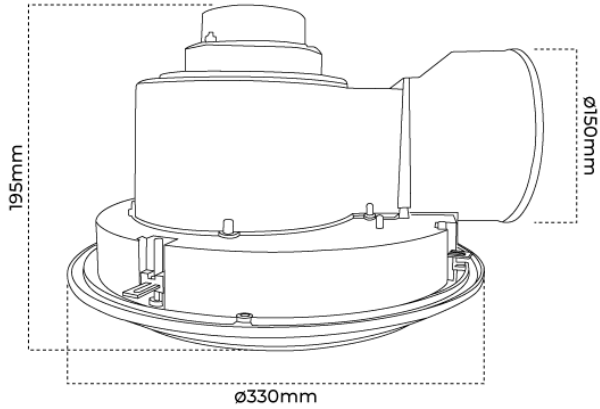
Domestic Use Warranty	3 RTB (Total 3 Years)
Warranty Operating Hours	2500 hrs
This product is provided with a warranty up until the stated warranty period or until the stated warranty operating hours has been reached (whichever occurs first).	

DIMENSIONS

Minimum Ceiling Depth	220 mm
Cutout	290 mm
Product Height	195 mm
Product Length	330 mm
Product Width	330 mm

LINE DRAWINGS

ECLIPSE/290/WH/RD



ACCESSORIES

Order code	16777
Description	290mm round exhaust fan fascia - matt black
Item Code	ECLIPSE/TRIM/290/B/RD
Order code	16781
Description	290mm square exhaust fan fascia - matt black
Item Code	ECLIPSE/TRIM/290/B/SQ
Order code	16779
Description	290mm square exhaust fan fascia - matt white
Item Code	ECLIPSE/TRIM/290/WH/SQ