



**LOX** STRONG QUICK SNAP  
CONNECTORS



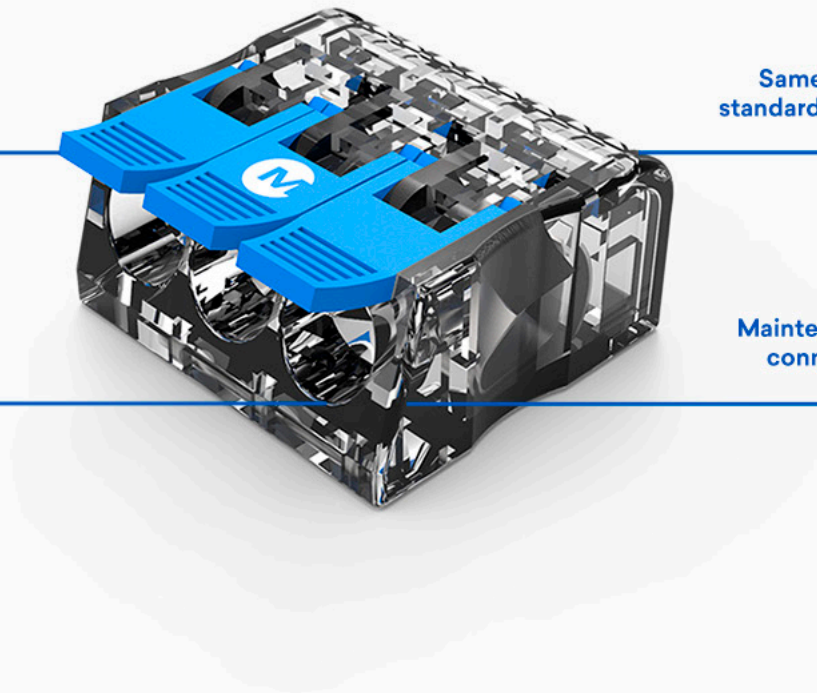


Fast & easy snap  
install

Same price as  
standard connectors

Fits up to 4mm  
cable

Maintenance free  
connections



**LOX**

**STRONG QUICK SNAP  
CONNECTORS**

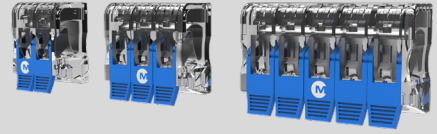
# LOX

## STRONG QUICK SNAP CONNECTORS



### Product information

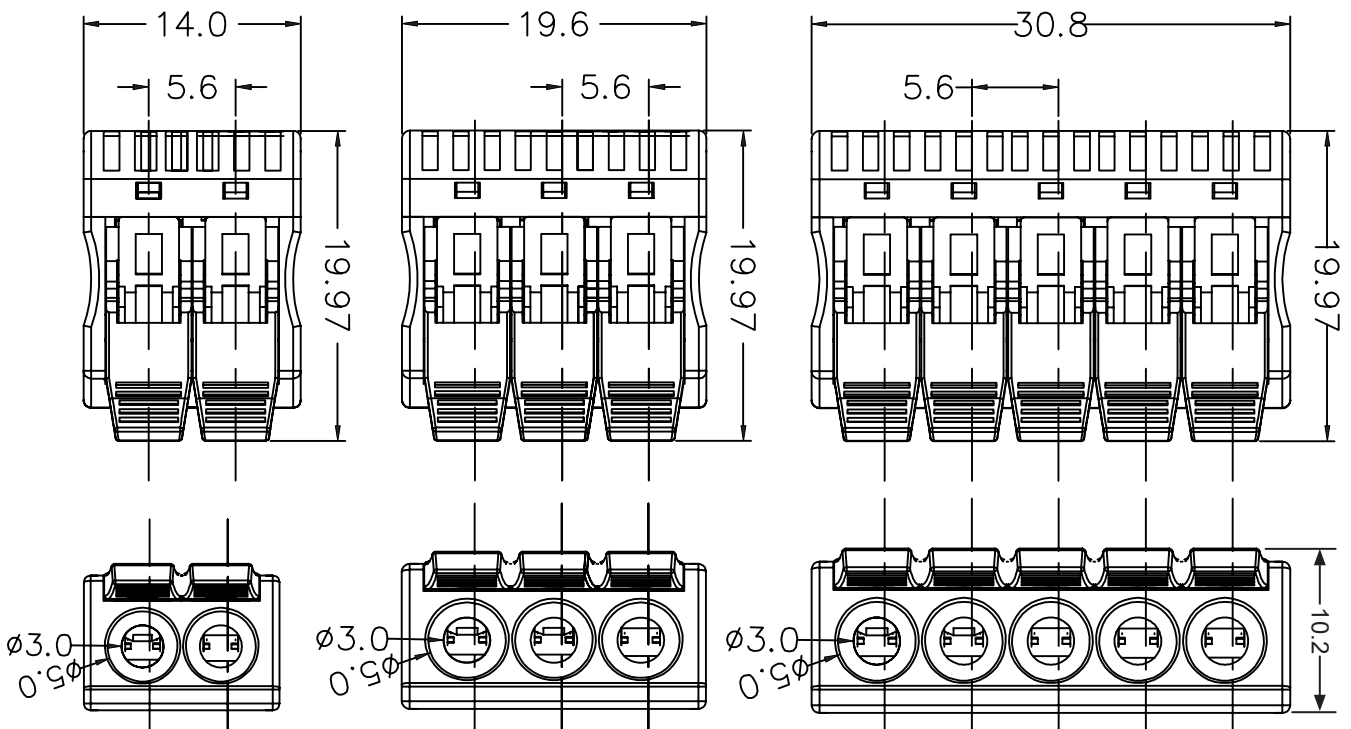
- Same price as standard connections
- Maintenance Free connections
- Fast & easy snap install
- Fits up to 4mm<sup>2</sup> cable



### TECHNICAL INFORMATION

Data subject to change, please visit our website for upto date specifications: [melec.com.au](http://melec.com.au)

	ML-LOX-4-2J	ML-LOX-4-3J	ML-LOX-4-5J
Solid conductor	0.2-4mm <sup>2</sup> / 24-12AWG		
Stranded conductor	0.2-4mm <sup>2</sup> / 24-12AWG		
Fine stranded conductor	0.14-4mm <sup>2</sup> / 24-12AWG		
Strip length	11mm		
Voltage	240V		
Current	20A		
Temperature range	(- 40°C~+105°C)		
Dimensions:	19.97x14x10.42mm	19.97x19.6x10.42mm	19.97x30.8x10.42mm
Weight:	0.002kg	0.003kg	0.0046kg
Warranty:	3 Years		

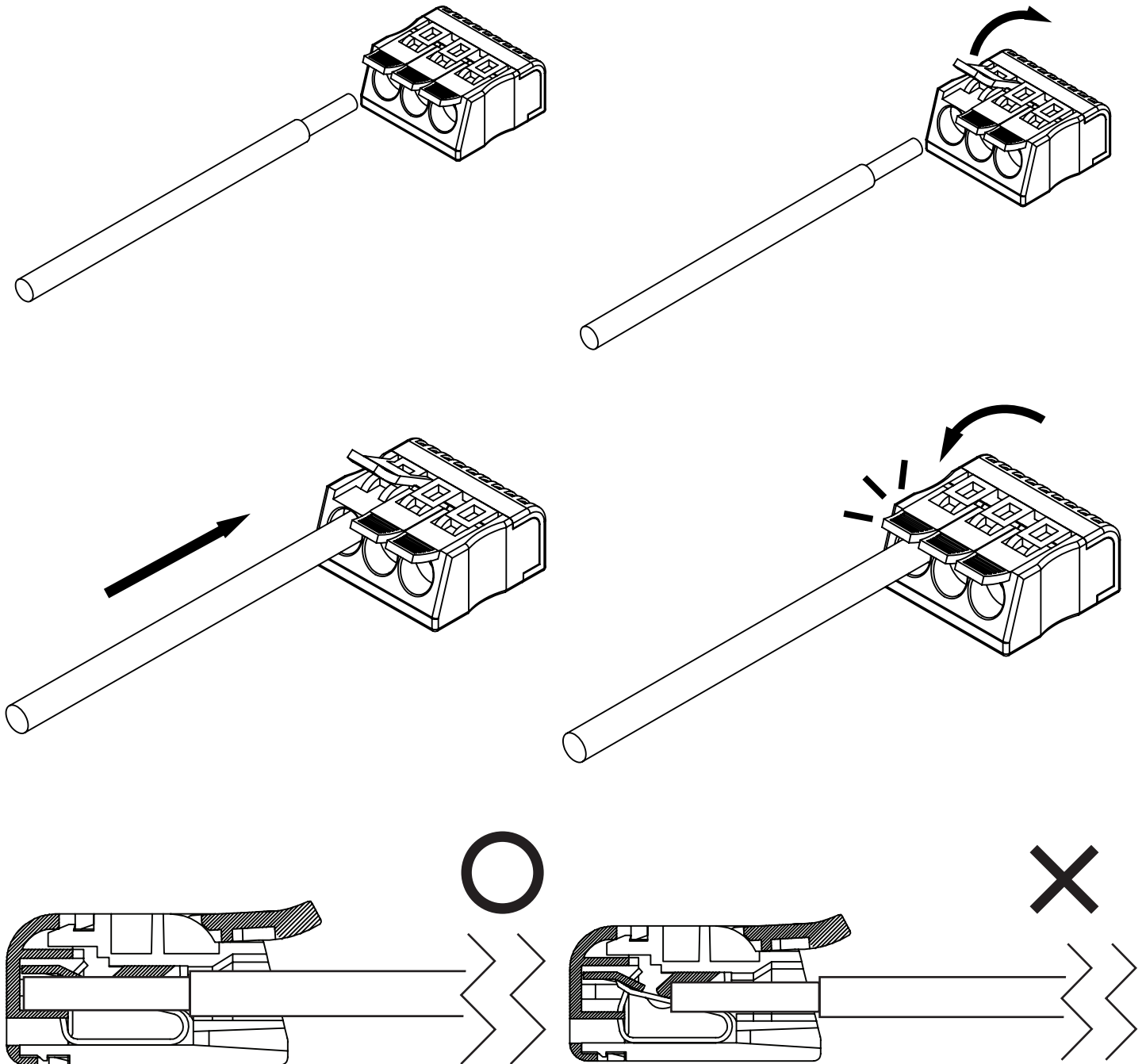


## INSTALLATION GUIDE

---

1. Strip the wire back by 11mm.
2. Lift up the lever of the LOX connector to open the port.
3. Insert the wire ensuring that it is pushed all the way in.
4. After the wire is inserted, push the lever back down. Repeat steps 1 to 3 for additional connections. To remove the wire push the lever up and pull the wire back out.

**PLEASE NOTE:** ENSURE THAT THE CABLE IS PUSHED ALL THE WAY INTO THE CONNECTOR FOR A PROPER AND SECURE CONNECTION



**FREE**  
**ONSITE WARRANTY**

EXCLUSIVE TO  
MEMBERS ONLY



**FREE ONSITE WARRANTY FOR 3 YEARS**  
**INCLUDES PARTS & LABOUR**

---

*In conjunction with your standard product warranty*