



# 8CH 6MP AI NETWORK TURRET KIT

HLIK-4286TH-AI



## KEY FEATURES

- 8ch NVR with 2TB HDD & 4 x 6MP AI Turret Cameras
- Human/Vehicle detection to reduce false alarms
- IP66 Weatherproof Cameras with MIC
- Ultra low light performance, up to 30m IR range
- PoE (Power over Ethernet)
- 4K HDMI video outputs
- Mobile view via HiLook Vision app

## Camera Features

- 1/2.8" Progressive Scan CMOS
- 2.8 mm fixed lens
- Color: 0.005 Lux @ (F1.6, AGC ON), 0 Lux with IR
- H.265, H.265+, H.264, H.264+
- 120dB WDR
- BLC/3D DNR/ROI/HLC
- Built-in micro SD/SDHC/SDXC card slot, up to 128 GB
- 3-Axis adjustment
- Built-in microphone

## NVR Features

- Up to 8-ch IP camera inputs
- H.265+/H.265/H.264+/H.264 video formats
- Up to 1-ch@8 MP/5-ch@1080p decoding capacity
- Up to 80 Mbps incoming bandwidth
- 1 SATA interface for HDD connection (up to 8 TB capacity per HDD)
- Smart search/smart playback to improve the playback efficiency
- HDMI video output at up to 4K resolution
- Support multiple VCA (Video Content Analytics) events
- HiLookVision App for easy network management

IntelliSense



FIRE • SECURITY • INTERCOMS

17 Millicent Street, Burwood, VIC 3125 Australia

Tel: 1300 PSA PRODUCTS (1300 772 776)

Fax: (03) 9888 9993

enquiry@psaproducts.com.au psaproducts.com.au





## SPECIFICATIONS

### Model

HLIPC-T261H-MU/HLIPC-T261H-MU-B

Camera	Image Sensor	1/2.8" Progressive Scan CMOS	
	Min. Illumination	Color: 0.005 Lux @ (F1.6, AGC ON), B/W: 0 Lux with IR	
	Shutter Speed	1/3 s to 1/100,000 s	
	Slow Shutter	Yes	
	P/N	P/N	
	Wide Dynamic Range	120 dB	
	Day & Night	IR cut filter	
	Angle Adjustment	Pan: 0° to 360°, tilt: 0° to 75°, rotate: 0° to 360°	
Lens	Lens Type	Fixed focal lens, 2.8 mm	
	Focal Length & FOV	2.8 mm, horizontal FOV 107°, vertical FOV 57°, diagonal FOV 128°	
	Iris Type	Fixed	
	Aperture	F1.6	
	Lens Mount	M12	
DORI	2.8 mm: D: 73 m, O: 29 m, R: 15 m, I: 7 m		
Illuminator	Supplement Light Type	IR	
	Smart Supplement Light	Yes	
	IR Wavelength	850 nm	
	IR Range	Up to 30 m	
Video	Max. Resolution	3200 × 1800	
	Main Stream	50 Hz: 20 fps (3200 × 1800)	25 fps (2688 × 1520, 1920 × 1080, 1280 × 720)
		60 Hz: 20 fps (3200 × 1800)	30 fps (2688 × 1520, 1920 × 1080, 1280 × 720)
	Sub-stream	50 Hz: 25 fps (640 × 480, 640 × 360)	
		60 Hz: 30 fps (640 × 480, 640 × 360)	
	Third Stream	50 Hz: 10 fps (1920 × 1080, 1280 × 720, 640 × 480, 640 × 360)	
		60 Hz: 10 fps (1920 × 1080, 1280 × 720, 640 × 480, 640 × 360)	
		*Third stream is supported under certain settings.	
	Video Compression	Main stream: H.265/H.264/H.264+/H.265+ Sub-stream: H.265/H.264/MJPEG Third stream: H.265/H.264 *Third stream is supported under certain settings.	
	Video Bit Rate	32 Kbps to 16 Mbps	
	H.264 Type	Baseline Profile/Main Profile/High Profile	
	H.265 Type	Main Profile	
	H.264+	Main stream supports	
	H.265+	Main stream supports	
Bit Rate Control	CBR/VBR		
Scalable Video Coding (SVC)	H.264 and H.265 encoding		
Region of Interest (ROI)	1 fixed region for main stream and sub-stream		
Audio	Audio Compression	-U: G.711ulaw/G.711alaw/G.722.1/G.726/MP2L2/PCM/MP3/AAC	
	Audio Bit Rate	-U: 64 Kbps (G.711ulaw/G.711alaw)/16 Kbps (G.722.1)/16 Kbps (G.726)/16 Kbps to 64 Kbps (AAC)/32 to 192 Kbps (MP2L2)/8 to 320 Kbps (MP3)	
	Audio Sampling Rate	-U: 8 kHz/16 kHz/32 kHz/44.1 kHz/48 kHz	
	Environment Noise Filtering	-U: Yes	
Image	Image Parameters Switch	Yes	
	Image Settings	Rotate, mirror, privacy mask, saturation, brightness, contrast, sharpness, gain, white balance adjustable by client software or web browser	
	Day/Night Switch	Day, Night, Auto, Schedule	
	Image Enhancement	BLC, HLC, 3D DNR	
	SNR	≥ 52 dB	

**Model**

HLIPC-T261H-MU/HLIPC-T261H-MU-B

<b>Network</b>	Protocols	TCP/IP, ICMP, HTTP, HTTPS, FTP, DHCP, DNS, DDNS, RTP, RTSP, NTP, UPnP, SMTP, IGMP, 802.1X, QoS, IPv4, IPv6, UDP, Bonjour, SSL/TLS, PPPoE, SNMP	
	Simultaneous Live View	Up to 6 channels	
	API	Open Network Video Interface (Profile S, Profile G), ISAPI, SDK	
	User/Host	Up to 32 users. 3 user levels: administrator, operator and user	
	Security	Password protection, complicated password, HTTPS encryption, IP address filter, Security Audit Log, basic and digest authentication for HTTP/HTTPS, TLS 1.1/1.2, WSSE and digest authentication for Open Network Video Interface	
	Network Storage	NAS (NFS, SMB/CIFS), auto network replenishment (ANR)	
	Client	iVMS-4200, Hik-Connect, Hik-Central	
	Web Browser	Plug-in required live view: IE 10, IE 11 Plug-in free live view : Chrome 57.0+, Firefox 52.0+ Local service: Chrome 57.0+, Firefox 52.0+	
<b>Interface</b>	Ethernet Interface	1 RJ45 10 M/100 M self-adaptive Ethernet port	
	On-board Storage	Built-in memory card slot, support microSD/SDHC/SDXC card, up to 256 GB	
	Built-in Microphone	-U: yes	
	Hardware Reset	Yes	
<b>Event</b>	Basic Event	Motion detection (human and vehicle targets classification), video tampering alarm, exception	
	Face Detection	Yes	
<b>Deep Learning Function</b>		Line crossing detection, intrusion detection Supports human and vehicle targets classification	
<b>General</b>	Linkage Method	Upload to FTP/memory card/NAS, notify surveillance center, trigger recording, trigger capture, send e	
	Camera Material	Aluminum alloy body	
	Camera Dimension	Ø 127.3 mm × 95.9 mm (Ø 5.0" × 3.8")	
	Package Dimension	150 mm × 150 mm × 141 mm (5.9" × 5.9" × 5.6")	
	Camera Weight	Approx. 600 g (1.3 lb.)	
	With Package Weight	Approx. 909 g (2.0 lb.)	
	Storage Conditions	-30 °C to 60 °C (-22 °F to 140 °F). Humidity 95% or less (non-condensing)	
	Startup and Operating Conditions	-30 °C to 60 °C (-22 °F to 140 °F). Humidity 95% or less (non-condensing)	
	Web Client Language	33 languages - English, Russian, Estonian, Bulgarian, Hungarian, Greek, German, Italian, Czech, Slovak, French, Polish, Dutch, Portuguese, Spanish, Romanian, Danish, Swedish, Norwegian, Finnish, Croatian, Slovenian, Serbian, Turkish, Korean, Traditional Chinese, Thai, Vietnamese, Japanese, Latvian, Lithuanian, Portuguese (Brazil), Ukrainian	
	General Function	Anti-flicker, heartbeat, password reset via email, pixel counter	
	Firmware Version	V5.5.113	
	Software Reset	Yes	
	Power Consumption and Current	12 VDC, 0.5 A, max. 6 W PoE (802.3af, 36 V to 57 V), 0.20 A to 0.13 A, max. 7.5 W	
	Power Supply	12 VDC ± 25%, reverse polarity protection PoE: 802.3af, Class 3	
	Power Interface	Ø 5.5 mm coaxial power plug	
<b>Approval</b>	EMC	FCC (47 CFR Part 15, Subpart B); CE-EMC (EN 55032: 2015, EN 61000-3-2: 2014, EN 61000-3-3: 2013, EN 50130-4: 2011 +A1: 2014); RCM (AS/NZS CISPR 32: 2015); IC (ICES-003: Issue 6, 2016); KC (KN 32: 2015, KN 35: 2015)	
	Safety	UL (UL 60950-1); CB (IEC 60950-1:2005 + Am 1:2009 + Am 2:2013); CE-LVD (EN 60950-1:2005 + Am 1:2009 + Am 2:2013);	
	Environment	CE-RoHS (2011/65/EU); WEEE (2012/19/EU); Reach (Regulation (EC) No 1907/2006)	
	Protection	IP67 (IEC 60529-2013)	

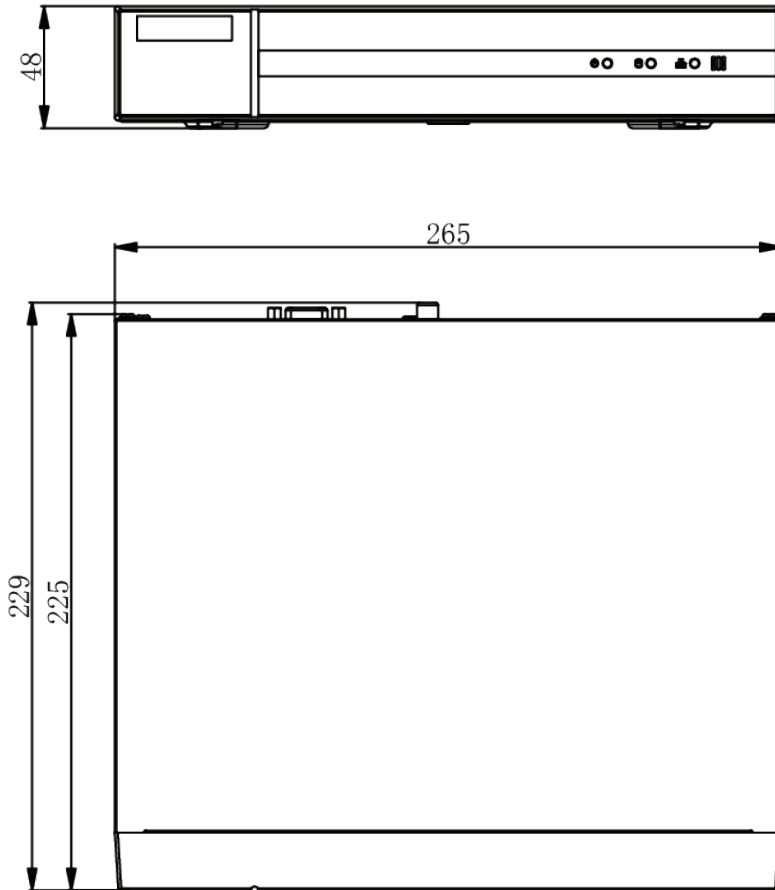


## SPECIFICATIONS

Model

HLNVR-108MH-C8P

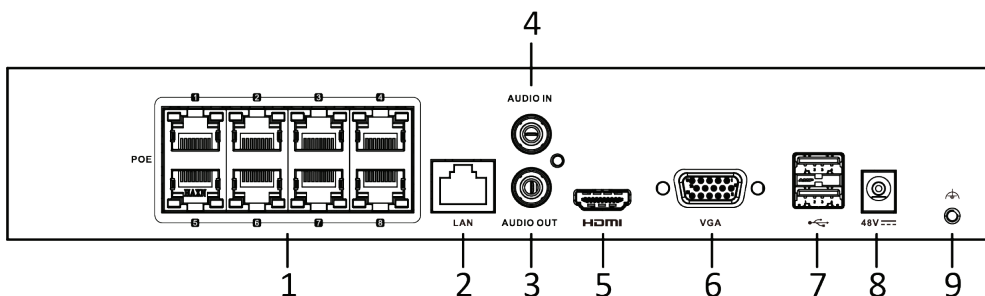
Model		HLNVR-108MH-C8P
Video and Audio	IP video input	8-ch Up to 8 MP resolution
	Incoming bandwidth	80 Mbps
	Outgoing bandwidth	80 Mbps
	HDMI output	1-ch, 4K (4096 x 2160)/30 Hz, 4K (3840 x 2160)/30 Hz, 2K (2560 x 1440)/60 Hz, 1920 x 1080/60 Hz, 1600 x 1200/60 Hz, 1280 x 1024/60 Hz, 1280 x 720/60 Hz
	VGA output	1-ch, 1920 x 1080/60 Hz, 1280 x 1024/60 Hz, 1280 x 720/60 Hz
	Video output mode	HDMI/VGA simultaneous output
	CVBS output	N/A
	Audio output	1-ch, RCA (Linear, 1 K $\Omega$ )
	Two-way audio input	1-ch, RCA (2.0 Vp-p, 1 K $\Omega$ , using the audio input)
Decoding	Decoding format	H.265+/H.265/H.264+/H.264
	Recording resolution	8 MP/6 MP/5 MP/4 MP/3 MP/1080p/UXGA/720p/VGA /4CIF/ DCIF/2CIF/CIF/QCIF
	Synchronous playback	8-ch
	Capability	1-ch@8 MP (30 fps)/5-ch@1080p (30 fps)
	Stream type	Video, Video & Audio
	Audio compression	G.711ulaw/G.711alaw/G.722/G.726
Network	Remote connection	64
	Network protocol	TCP/IP, DHCP, IPv4, IPv6, DNS, DDNS, NTP, RTSP, SADP, SMTP, SNMP, NFS, iSCSI, ISUP, UPnP™, HTTP, HTTPS
	Network interface	1, RJ-45 10/100 Mbps self-adaptive Ethernet interface
POE Interface	Interface	8, RJ-45 10/100 Mbps self-adaptive Ethernet interface
	Power	≤ 75 W
	Supported stan	IEEE 802.3 af/at
Auxiliary Interface	SATA	1 SATA interface
	Capacity	Up to 8 TB capacity for each disk
	USB interface	Rear panel: 2 x USB 2.0
General	Power supply	48 VDC, 1.88 A
	Consumption (without HDD and PoE off)	≤ 10 W
	Working temperature	-10 °C to 55 °C (14 °F to 131 °F)
	Working humidity	10% to 90%
	Dimension (W x D x H)	265 x 225 x 48 mm (10.2" x 8.9" x 1.9")
	Weight(without hard disk)	≤ 1 kg (2.2 lb)
Certification	FCC	Part 15 Subpart B, ANSI C63.4-2014
	CE	EN 55032: 2015, EN 61000-3-2, EN 61000-3-3, EN 50130-4, EN 55035: 2017



**PHYSICAL INTERFACES**

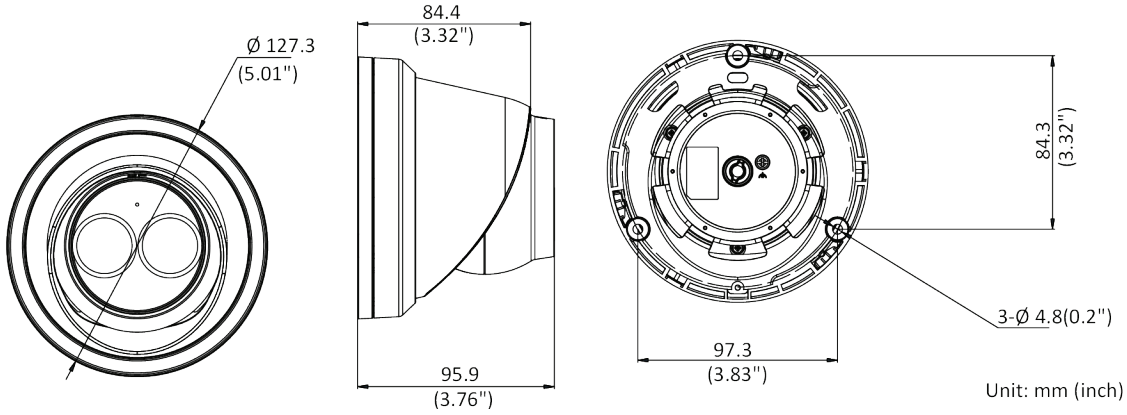
INDEX	DESCRIPTION
1	PoE Interfaces
2	LAN Interface
3	AUDIO OUT
4	AUDIO IN
5	HDMI Output

INDEX	DESCRIPTION
6	VGA Output (DB9 Connector)
7	USB Interfaces
8	Power Supply
9	Ground





**DIMI**



**ACCESSORY** \*not all stocked



DS-1271ZJ-130-TRL  
Pendant Mount



DS-1276ZJ-SUSB  
Corner Mount (Black)



DS-1281ZJ-MB (Black)  
Inclined Ceiling Mount



DS-1275ZJ-SUS  
Vertical Pole Mount



DS-1271ZJ-130-TRLB  
Pendant Mount (Black)



DS-1280ZJ-DM8B  
Junction Box (Black)



DS-1281ZJ-M  
Inclined ceiling Mount



DS-1273ZJ-130B-TRL  
Wall mount



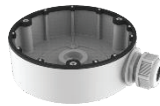
DS-1276ZJ-SUS  
Corner mount



DS-1275ZJ-SUSB  
Vertical Pole Mount (Black)



DS-1273ZJ-130-TRLB  
Wall Mount (Black)



DS-1280ZJ-DM8  
Junction box



DS-1273ZJ-130-TRL  
Wall mount

FIRE • SECURITY • INTERCOMS