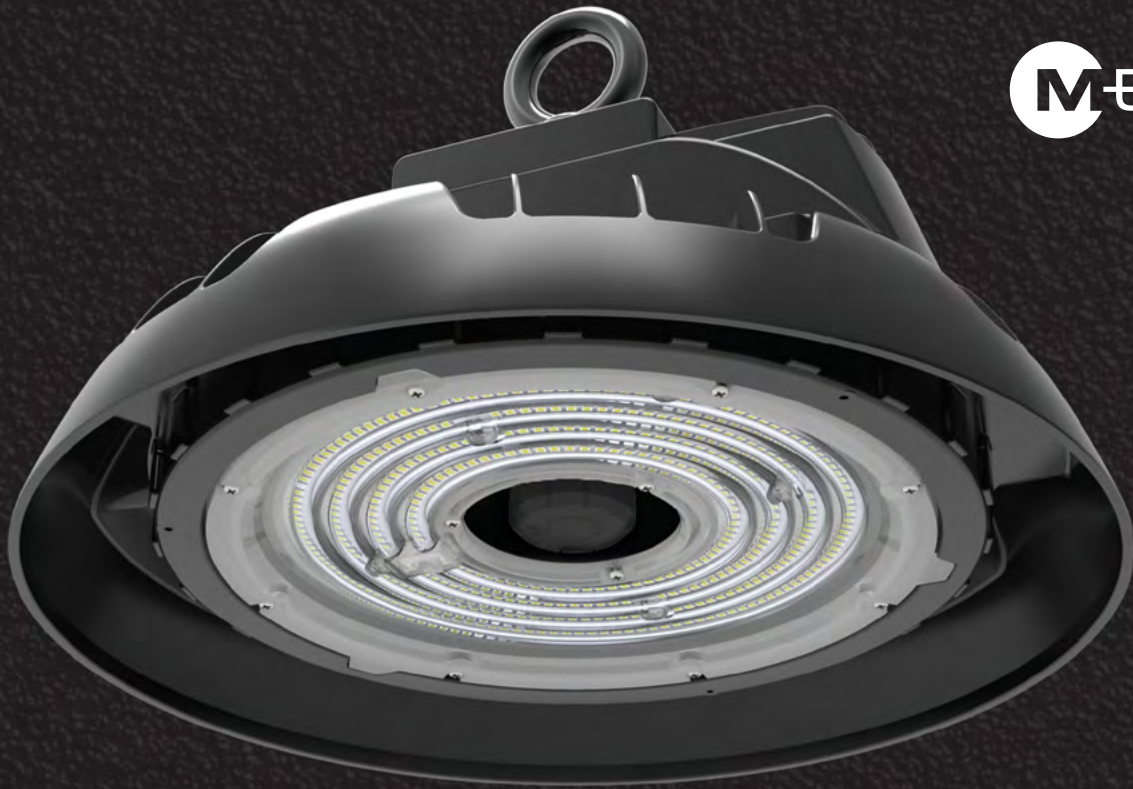




**NOX** HIGHBAY





# **NOX** HIGHBAY

**DESIGNED FOR ELECTRICIANS**



**QUICK FIT MICROWAVE SENSOR**



**ENHANCED DURABILITY**



**RAPID HEAT DISSIPATION**

**7**

**year warranty**



# NOX HIGHBAY



## Product information

The legend of the NOX range has expanded into our new High-bays with enhanced durability & rapid heat dissipation. The power selectable feature (50-150W | 100-230W | 150-300W) & optional quick fit microwave sensor ensures a quick and easy install every time.



## OUR FULL RANGE



ML-NOX-HB50-150-A



ML-NOX-HB100-230-A



ML-NOX-HB150-300-A

## TECHNICAL INFORMATION

|                              | ML-NOX-HB50-150-A  | ML-NOX-HB100-230-A   | ML-NOX-HB150-300A  |
|------------------------------|--|--|--|
| Total Power:                 | 50 TO 150W*  | 100 TO 230W*   | 150 TO 300W*   |
| Lumen Output:                | up to 21000lm  | up to 33145lm  | up to 43564lm  |
| Colour Temp:                 | W 5000K  |  |  |
| IP Rating:                   | IP65   |  |  |
| Impact Rating:               | IK08   |  |  |
| Efficacy:                    | 133 - 167lm/W  | 144 - 166lm/w  | 145 - 154lm/W  |
| CRI:                         | >80  |  |  |
| Beam Angle:                  | 90°  |  |  |
| Temp Range:                  | - 40° to +45°  |  |  |
| Dimmable:                    | Yes 1-10V  |  |  |
| Power Supply:                | 100 - 277V AC Tovin Driver   |  |  |
| Average Life:                | 50,000 hrs**   |  |  |
| Max Current Draw :           | 0.7A @240V   | 1.0A@240V  | 1.3A@240V  |
| Power Factor                 | >0.9   |  |  |
| Dimensions: W x H x D:       | Ø328x201mm (H)   | Ø371x206mm (H)   | Ø413x228mm (H)   |
| Weight:                      | 3.3kg  | 4.6kg  | 5.4kg  |
| Warranty:                    | 7 years  |  |  |
| Construction:                | ADC12 Aluminium heat sink with Akzo Nobel powder coating & PC lens   |  |  |
| Kit Includes:                | 1 x LED Floodlight<br>1 x 1m flex + AU plug<br>1 x User Manual   | 1 x LED Floodlight<br>1 x 1m flex + AU plug<br>1 x User Manual | 1 x LED Floodlight<br>1 x 1m flex + AU plug<br>1 x User Manual |
| Accessories sold separately: | Microwave sensor : ML - SENSOR and remote : ML - REMOTE (for microwave sensor***)<br>Suitable for all models<br>Bracket Mount : ML - HB - BR , Refractor : ML - NOX - HB - REF , Drop lens : ML - NOX - HB - REF - D - A , Cone lens : ML - NOX - HB - REF - D - Y |  |  |

\*Total power consumed including driver

\*\* Average life is calculated on expected average lifespan

\*\*\* Microwave sensor available as additional accessory

# NOX 50-150W HIGHBAY

The legend of the NOX range has expanded into our new Highbays with enhanced durability & rapid heat dissipation. The power selectable feature 50-150W & optional quick fit microwave sensor ensures a quick and easy install every time.

## APPLICATIONS

Commercial or Industrial applications:

- General area lighting (up to 6m high)
- Warehouses/storage facilities
- Recreational facilities



IP65



IK08



DIMMABLE



90° BEAM



7 YEAR WARRANTY



## FEATURES

- Aluminium die-cast AkzoNobel performance coated body
- Fully gasketed lens and driver box to protect against the elements
- Power selectable - max 150W (50W/80W/100W/150W)
- Average life of 50,000 hours
- 5000K colour output
- 1-10v dimming capability
- 90° beam angle
- IP65 and IK08 rated
- Drop and cone lens available with refractor and adjustable yoke bracket accessories available

## COMPLIANCE

SAA, IP65, IK08, C-TICK

## TECHNICAL INFORMATION

|                   | ML-NOX-HB50-150-A   |
|-------------------|---|
| Total Power:      | Max 150W (50W/80W/100W/150W)                                    |
| Lumen Output:     | up to 21000lm   |
| Colour Temp:      | 5000K   |
| IP Rating:        | IP65  |
| Efficacy:         | 133 - 167lm/W   |
| CRI:              | >80   |
| Beam Angle:       | 90°   |
| Temp Range:       | -40° to +45°  |
| Dimmable:         | Yes 1-10V   |
| Power Supply:     | 120 - 277V AC Toinw dimmable driver                             |
| Average Life:     | 50,000 hrs**  |
| Inrush Current :  | 1 . 8A  |
| Current Draw :    | 0 . 7A @240V  |
| Power Factor :    | >0 . 9  |
| IK Rating         | IK08  |
| LM Rating :       | LM80  |
| Dimensions WxHxD: | Ø328x201mm  |
| Weight:           | 3.32kg  |
| Warranty:         | 7 Years   |
| Construction:     | ADC12 Aluminum heat sink with Akzonobel power coating & PC lens |

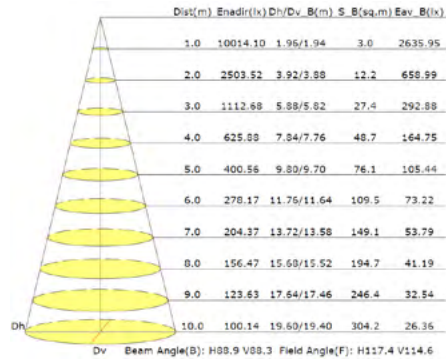
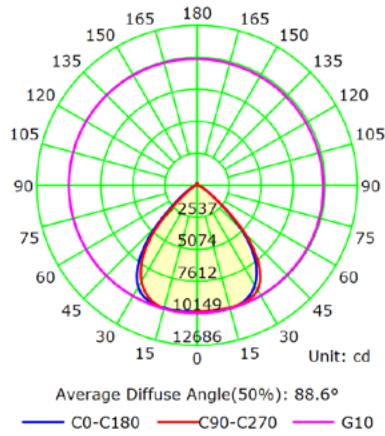
\*Total power consumed including driver

\*\* Average life is calculated on expected average lifespan

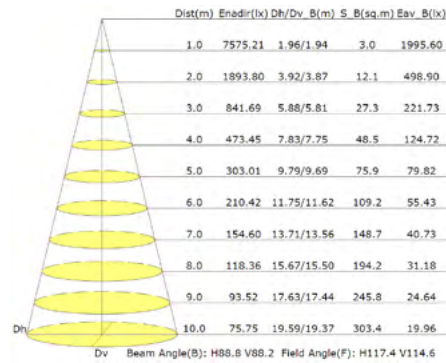
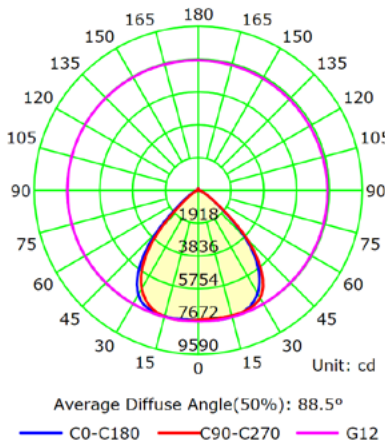


ML-NOX-HB50-150-A

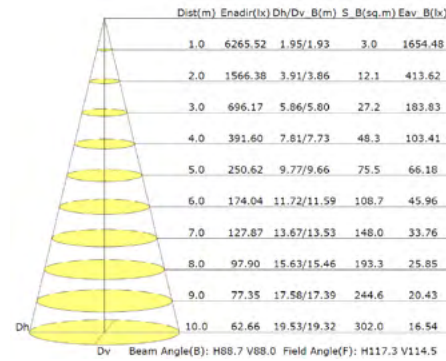
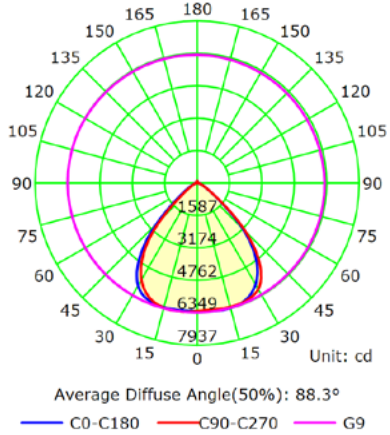
150W



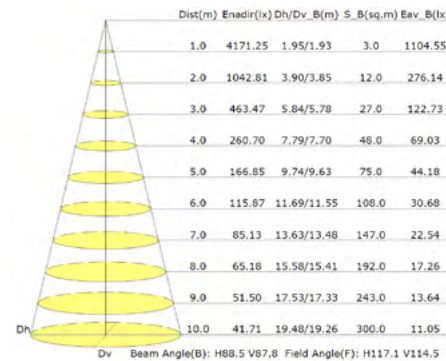
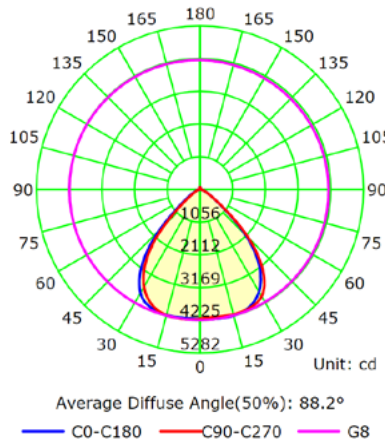
100W



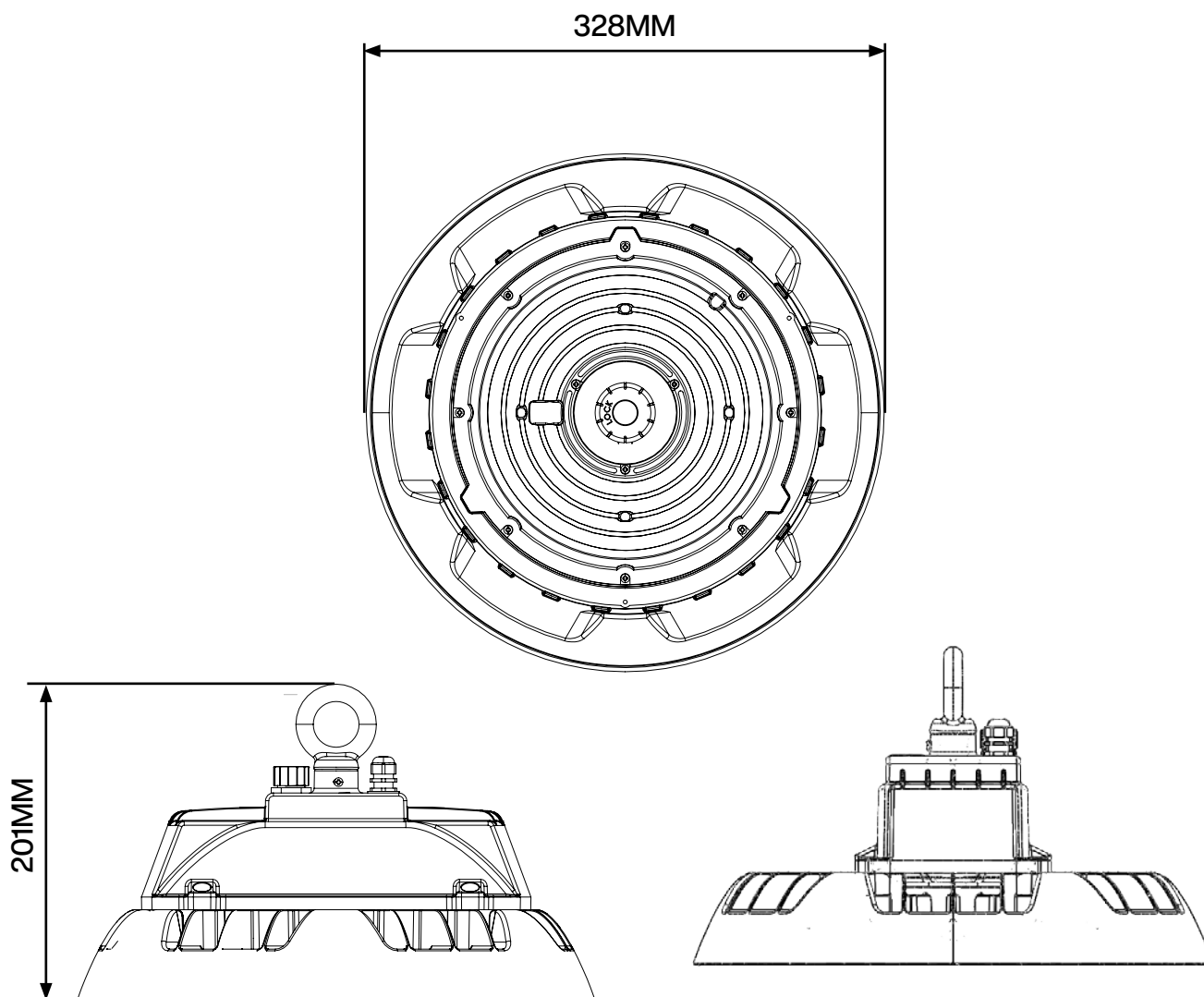
80W



50W



## PRODUCT DIMENSIONS



## POWER OUTPUT CHART

| ML-NOXHB50-150-A  |                   |                 |             |
|-------------------|-------------------|-----------------|-------------|
| POWER SETTING (W) | LUMEN OUTPUT (lm) | EFFICACY (lm/W) | CURRENT (A) |
| 50                | 8300              | 166             | 0.21A       |
| 80                | 12530             | 156             | 0.33A       |
| 100               | 15180             | 152             | 0.42A       |
| 150               | 20085             | 134             | 0.63A       |



# NOX 100-230W HIGHBAY

The legend of the NOX range has expanded into our new High-bays with enhanced durability & rapid heat dissipation. The power selectable feature 100-230W & optional quick fit microwave sensor ensures a quick and easy install every time.



## APPLICATIONS

Commercial or Industrial applications:

- General area lighting (up to 6-13m high)
- Warehouses/storage facilities
- Recreational facilities



## FEATURES

- Aluminium die-cast AkzoNobel performance coated body
- Fully gasketed lens and driver to protect against the elements
- Power selectable - max 230W (100W/150W/200W/230W)
- Average life of 50,000 hours
- 5000K colour output
- 1-10v dimming capability
- 90° beam angle
- IP65 and IK08 rated
- Drop and cone lens available with refractor and adjustable yoke bracket accessories available

## COMPLIANCE

SAA, IP65, IK08, C-TICK

## TECHNICAL INFORMATION

|                 |   |
|-----------------|---|
| Total Power:    | MAX 230W (100W/150W/200W/230W)                                  |
| Lumen Output:   | up to 33145lm   |
| Colour Temp:    | 5000K   |
| IP Rating:      | IP65  |
| Efficacy:       | 144 - 166lm/w   |
| CRI:            | >80   |
| Beam Angle:     | 90°   |
| Temp Range:     | -40° to +45°  |
| Dimmable:       | Yes 1-10V   |
| Power Supply:   | 120 - 277V AC Towin dimmable driver                             |
| Average Life:   | 50,000 hrs**  |
| Inrush Current: | 3.5A  |
| Current Draw:   | 1.0A @240V  |
| Power Factor :  | >0.9  |
| IK Rating       | IK08  |
| LM Rating       | LM80  |
| Dimensions:     | 407x347x85mm  |
| Weight:         | 4.58kg  |
| Warranty:       | 7 Years   |
| Construction:   | ADC12 Aluminum heat sink with Akzonobel power coating & PC lens |

\*Total power consumed including driver

\*\* Average life is calculated on expected average lifespan

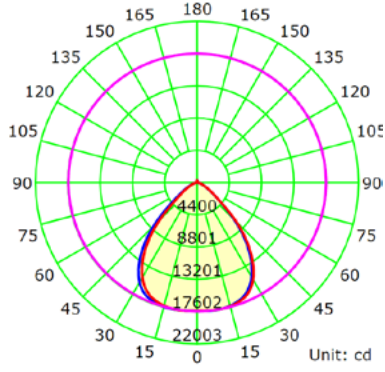
T. 1300 222 445 | [www.melec.com.au](http://www.melec.com.au)

For further information about our Warranties please go to: [melec.com.au/legal/warranties](http://melec.com.au/legal/warranties)

Data subject to change visit our website for upto date information

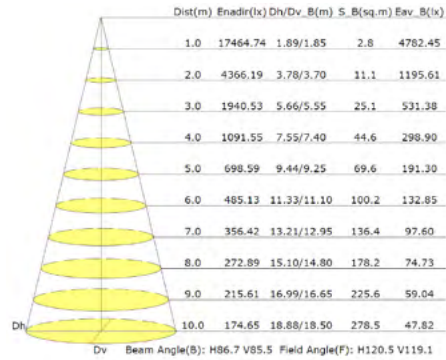
ML-NOX-HB100-230-A

230W

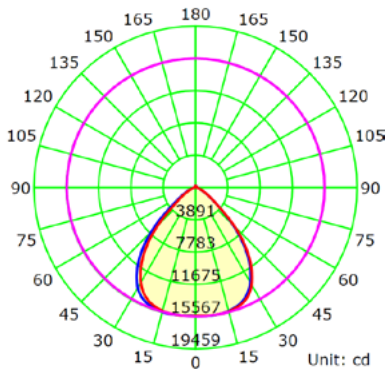


Average Diffuse Angle(50%): 86.1°

— C0-C180 — C90-C270 — G11

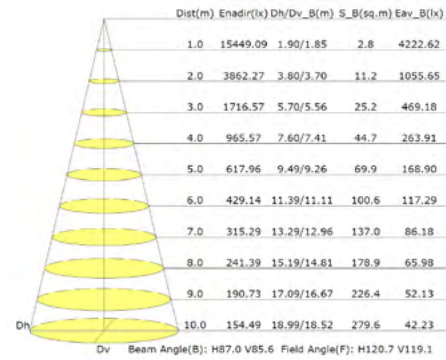


200W

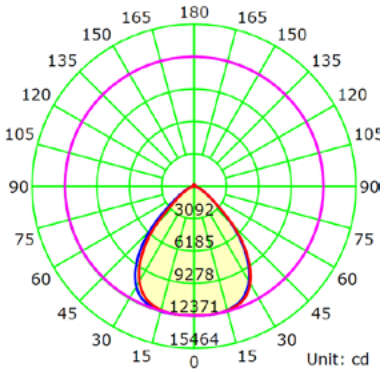


Average Diffuse Angle(50%): 86.3°

— C0-C180 — C90-C270 — G11

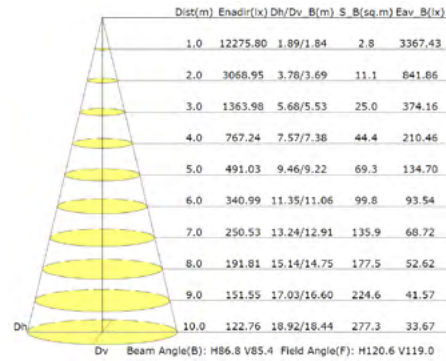


150W

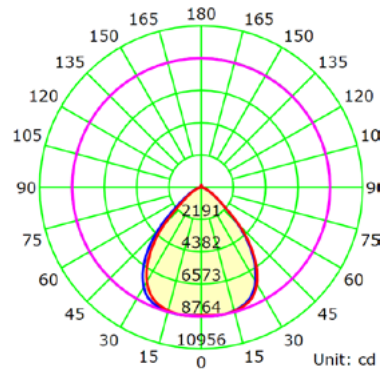


Average Diffuse Angle(50%): 86.1°

— C0-C180 — C90-C270 — G11

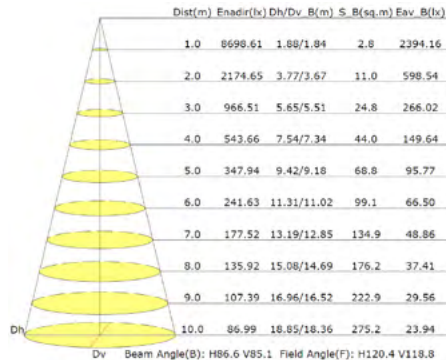


100W



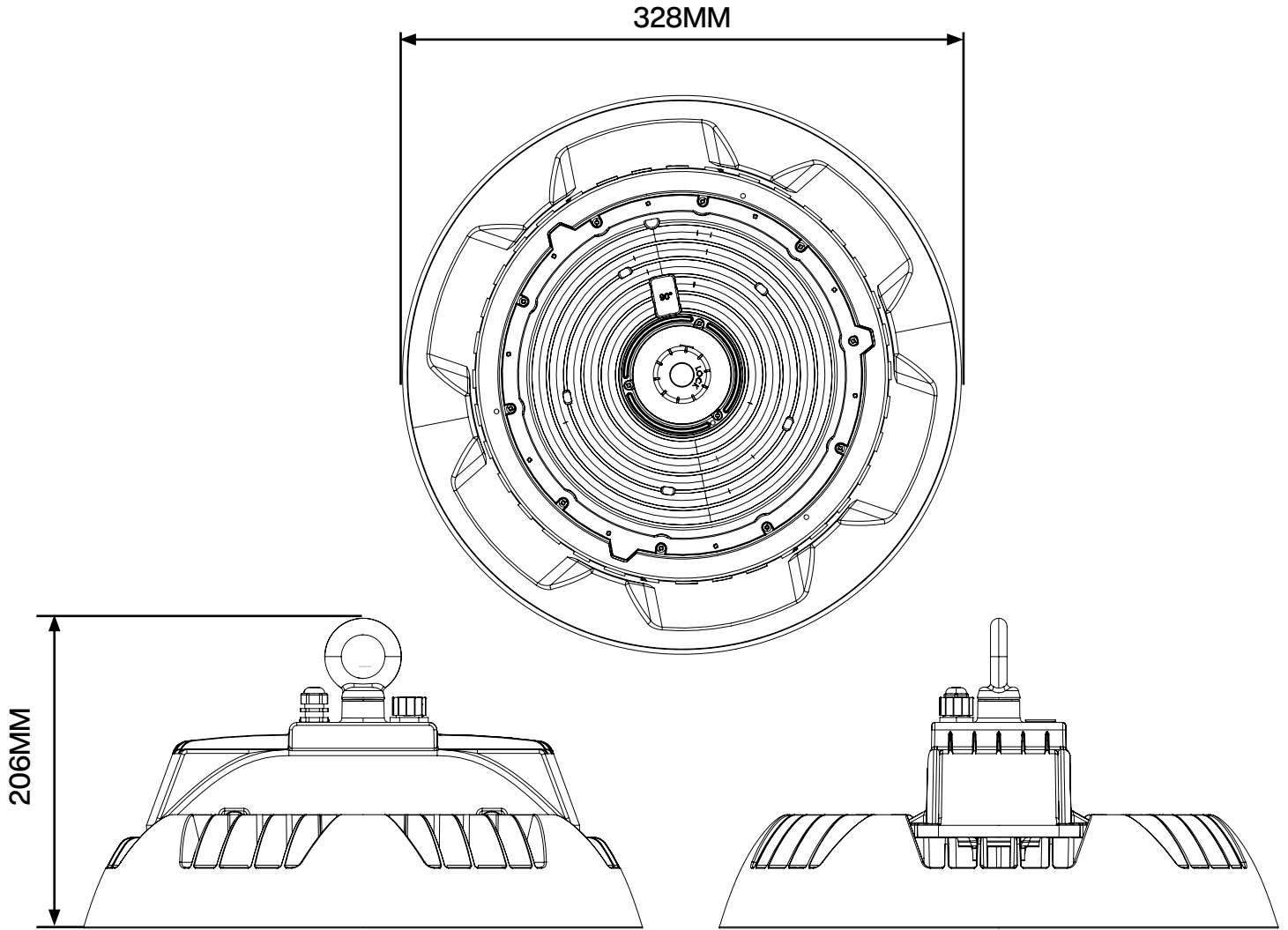
Average Diffuse Angle(50%): 85.9°

— C0-C180 — C90-C270 — G9





## PRODUCT DIMENSIONS



## POWER OUTPUT CHART

| ML-NOXHB100-230-A |                   |                 |             |
|-------------------|-------------------|-----------------|-------------|
| POWER SETTING     | LUMEN OUTPUT (lm) | EFFICACY (lm/W) | CURRENT (A) |
| 100               | 16409lm           | 166lm/W         | 0.416A      |
| 150               | 23251lm           | 155lm/W         | 0.613A      |
| 200               | 29380lm           | 147lm/W         | 0.833A      |
| 230               | 33145lm           | 144lm/W         | 0.958A      |

# NOX 150-300W HIGHBAY

The legend of the NOX range has expanded into our new High-bays with enhanced durability & rapid heat dissipation. The power selectable feature 150-300W & optional quick fit microwave sensor ensures a quick and easy install every time.

## APPLICATIONS

Commercial or Industrial applications:

- General area lighting (up to 6-13m high)
- Warehouses/storage facilities
- Recreational facilities



## FEATURES

- Aluminium die-cast AkzoNobel performance coated body
- Fully gasketed lens and driver box to protect against the elements
- Power selectable - Max 300W (150W/200W/240W/300W)
- Average life of 50,000 hours
- 5000K colour output
- 1-10v dimming capability
- 90x120° beam angle
- IP65 and IK08 rated
- Drop and cone lens available with refractor and adjustable yoke bracket accessories available

## COMPLIANCE

SAA, IP65, IK08, C-TICK

## TECHNICAL INFORMATION

|                  | ML-NOX-HB150-300-A  |
|------------------|---|
| Total Power:     | MAX 300W (POWER SELECTABLE 150W/200W/240W/300W)*                |
| Lumen Output:    | up to 43564lm   |
| Colour Temp:     | 5000K   |
| IP Rating:       | IP65  |
| Efficacy:        | 145 - 154lm/W   |
| CRI:             | >80   |
| Frequency        | 50/60Hz   |
| Beam Angle:      | 90°   |
| Temp Range:      | -40° to +45°  |
| Dimmable:        | Yes 1-10V   |
| Power Supply:    | 120 - 277V AC Towin dimmable driver                             |
| Average Life:    | 50,000 hrs**  |
| Inrush Current : | 3.5A  |
| Current Draw :   | 1.3A  |
| Power Factor :   | >0.9  |
| IK Rating        | IK08  |
| LM Rating        | L70 - LM80  |
| Dimensions:      | 594x357x95mm  |
| Weight:          | 7.4kg   |
| Warranty:        | 7 Years   |
| Construction:    | ADC12 Aluminum heat sink with Akzonobel power coating & PC lens |

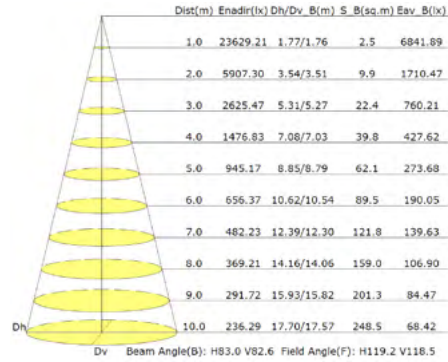
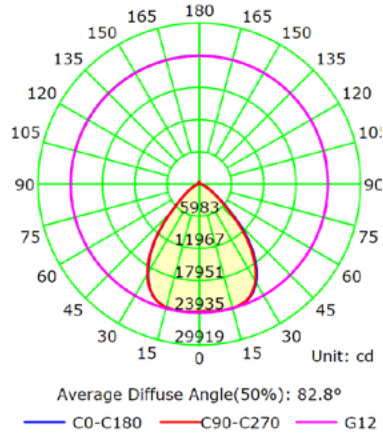
\*Total power consumed including driver

\*\* Average life is calculated on expected average lifespan

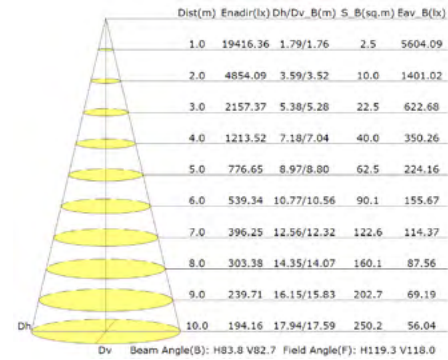
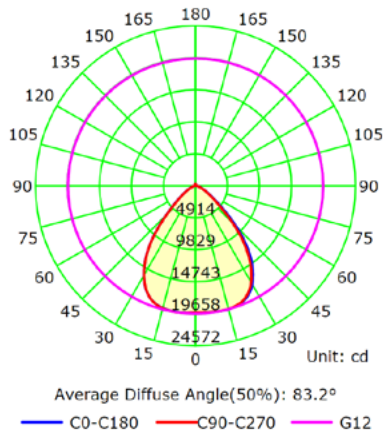


ML-NOX-HB150-300-A

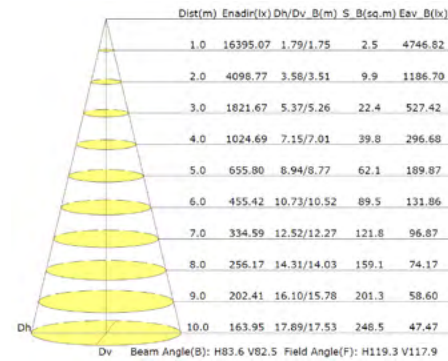
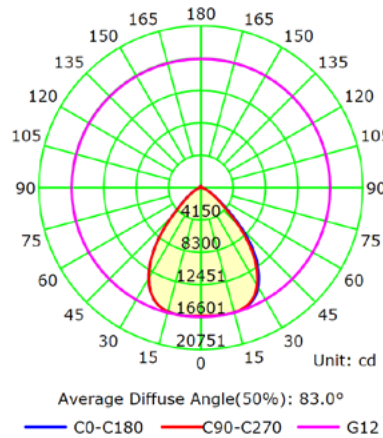
300W



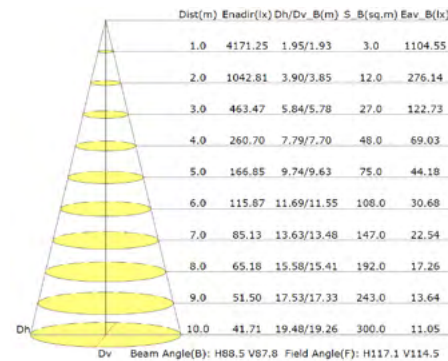
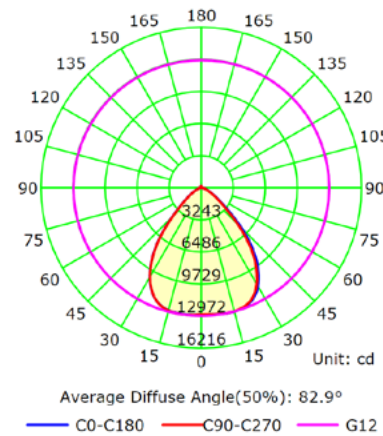
240W



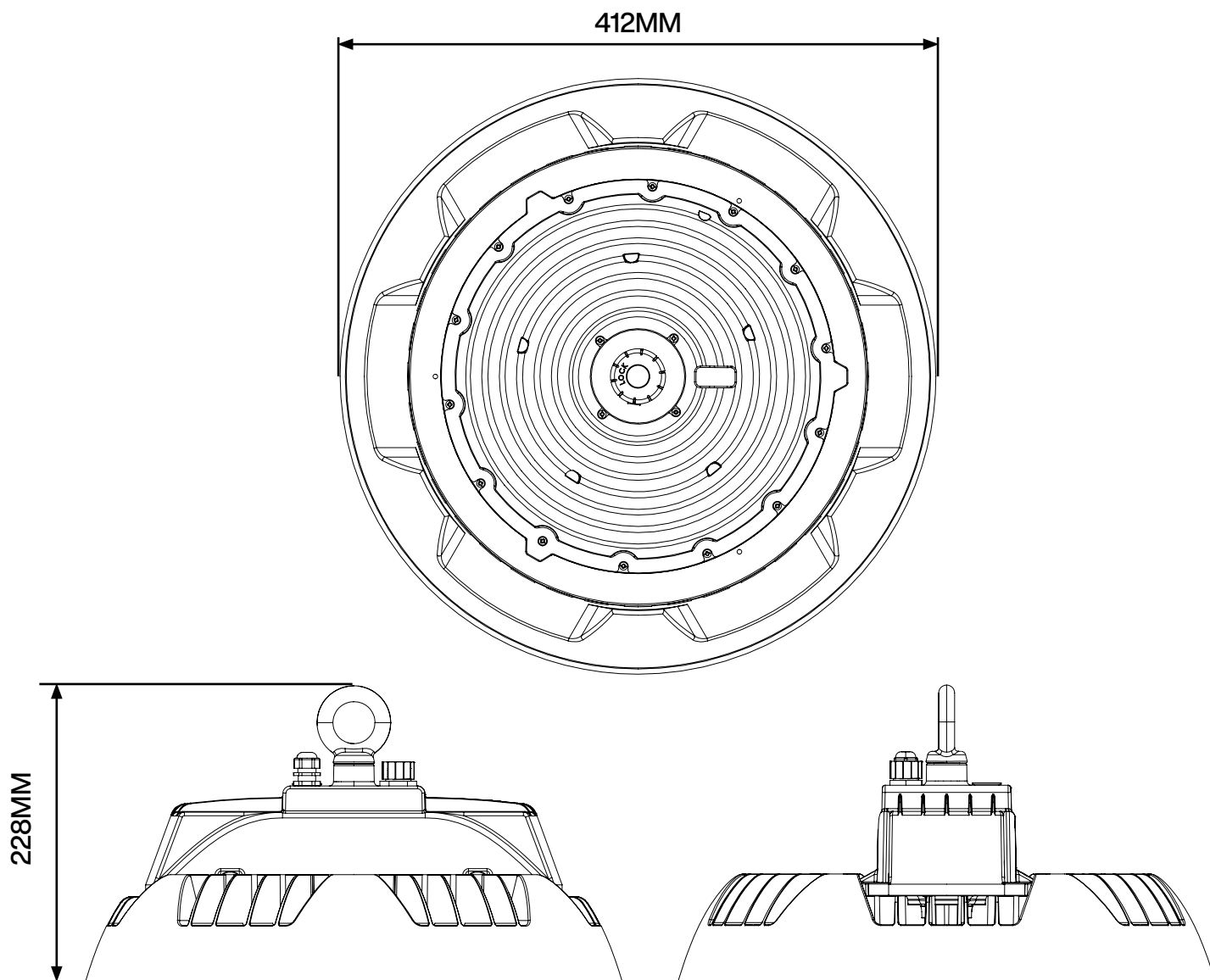
200W



150W



## PRODUCT DIMENSIONS



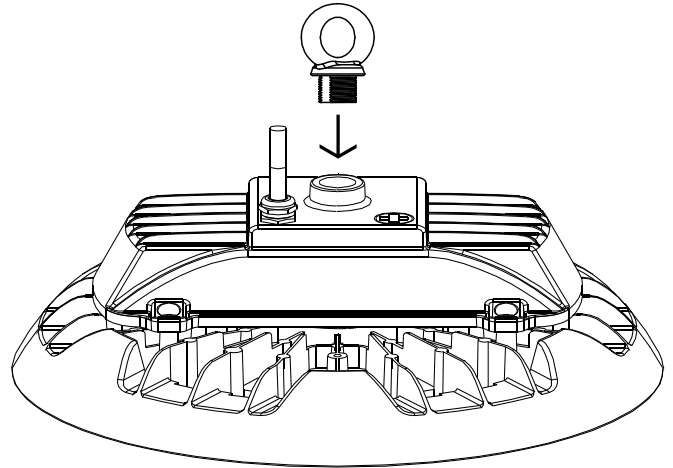
## POWER OUTPUT CHART

| ML-NOXHB150-300-A |                   |               |             |
|-------------------|-------------------|---------------|-------------|
| POWER SETTING     | LUMEN OUTPUT (lm) | EFFICACY lm/W | CURRENT (A) |
| 150               | 23206lm           | 154lm/W       | 0.69A       |
| 200               | 30985lm           | 151lm/W       | 0.89A       |
| 240               | 36685m            | 148lm/W       | 1.06A       |
| 300               | 41547lm           | 145lm/W       | 1.22A       |

## INSTALLATION GUIDE

### Disconnect mains before proceeding

1. Remove existing light and disconnect any unsuitable wiring if required. Install the new High bay with suitable mounting method.
2. Ensure you install a 'fail safe' in case the primary supports fail on the high bay
3. Plug the new high bay into the power outlet
4. Test the high bay for safety and performance

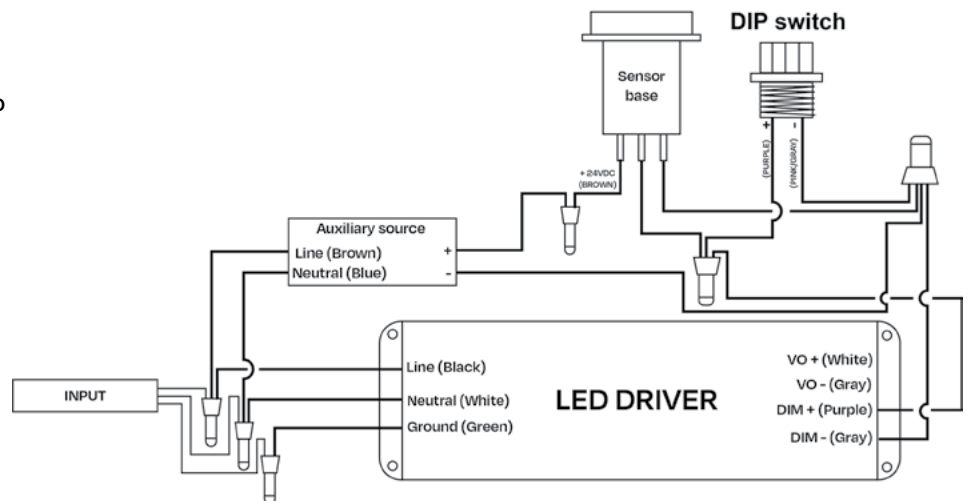


## DIMMING CONNECTIONS

**Please note:** Do not connect anything other than a 1-10V dimmer or control system or the warranty will be void.

1. Open the back of the light fitting.
2. Safely locate the purple (+) and grey (-) 1-10V dimming cables. Connect to your 1-10V dimming system.
3. Ensure you use suitable sealant/glands to keep the IP rating.
4. Refit the back plate and ensure all seals are secure. Water penetration from a failure to seal the fitting properly will not be covered under warranty.

For 1-10V dimming disconnect the purple and grey leads from the DIP switch & connect to 1-10V circuit



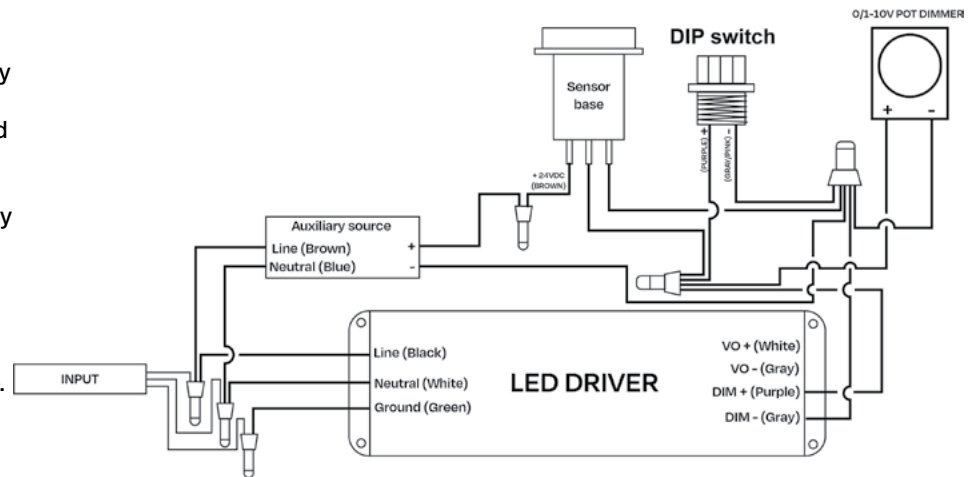


## DIMMING CONNECTIONS

### RUNNING PARALLEL WITH 0/1-10V POT DIMMER

**Please note:** Do not connect anything other than a 0/1-10V dimmer or control system or the warranty will be void.

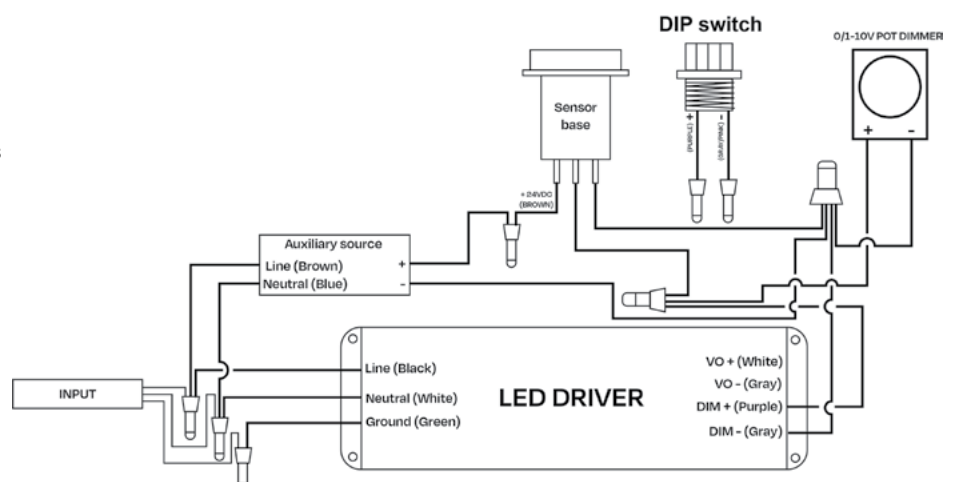
1. Open the back of the light fitting.
2. Safely locate the purple (+) and grey (-) dimming cables, remove their existing closed end connectors and connect your 0/1-10V pot dimmer (refer to diagram on the left). Re-connect all grey and purple wires by using a new end connector.
3. Ensure you use suitable sealant/ glands to keep the IP rating.
4. Refit the driver box back onto the fitting, ensuring all seals are secure. Water penetration from a failure to seal the fitting properly will not be covered under warranty.
5. Set your desired max power output with the DIP switch (referring to the switch diagram located on the top of the fitting)



### RUNNING WITHOUT DIP SWITCH WITH 0/1-10V POT DIMMER

**Please note:** Do not connect anything other than a 0/1-10V dimmer or control system or the warranty will be void.

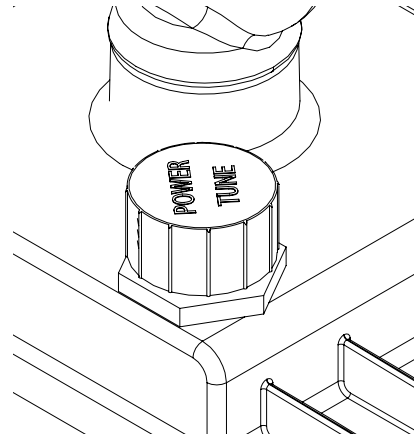
1. Open the back of the light fitting.
2. Safely locate the purple (+) and grey (-) dimming cables, remove their existing closed end connectors and disconnect the purple and grey wires of the DIP switch and cap each wire off with an end connector. Connect your 0/1-10V pot dimmer (refer to diagram on the left) and re-connect all grey and purple wires (sans the DIP switch) by using a new end connector.
3. Ensure you use suitable sealant/ glands to keep the IP rating.
4. Refit the back plate and ensure all seals are secure. Water penetration from a failure to seal the fitting properly will not be covered under warranty.



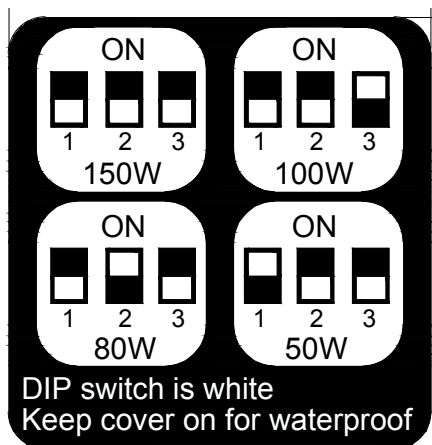
## POWER SELECTION

To select the power wattage

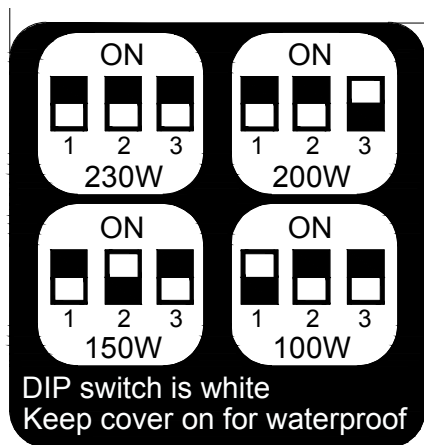
1. Unscrew the knob cap before using the selectable power function.
2. Select the wattage by toggling the DIP switch 1, 2, 3 to select the corresponding power.
3. Screw the cap on after selection.



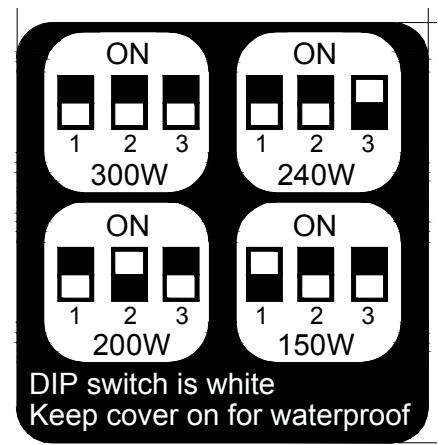
ML-NOX-HB50-150-A



ML-NOX-HB100-230-A



ML-NOX-HB150-300-A



## PLEASE NOTE

- Read instructions carefully before attempting to install the fitting. Retain this guide for future reference
- Disconnect power before installing or servicing
- This fitting is for outdoor use and should not be used in areas with limited ventilation or high ambient temperatures
- Do not extend low voltage cables from the output of power supply
- All components must not be mechanically stressed
- Be careful not to damage or destroy conductive paths on the circuit board
- Follow all relevant electrical and safety standards (including AS3000)
- Correct electrical polarity must be observed as the wrong polarity may destroy the product and is not covered under warranty
- Damage by corrosion will not be honoured as a material defect claim. It is the user's responsibility to provide suitable protection against corrosive agents such as moisture, condensation and other harmful elements

## ACCESSORIES

---



**REFRACTOR**  
**ML-NOX-HB-REF**  
(SUITS NOX-HB50-150,  
NOX-HB100-230)



**DROP LENS**  
**ML-NOX-HB-REF-D-A**  
(SUITS NOX-HB50-150, NOX-  
HB100-230)



**CONE LENS**  
**ML-NOX-HB-REF-D-Y**  
(SUITS NOX-HB50-150, NOX-  
HB100-230)

**NOTE: REFRACTOR NOT INCLUDED WITH DROP LENS OR CONE LENS**



**BRACKET MOUNT**  
**ML-HB-BR**  
(SUITS NOX-HB50-150, NOX-HB100-230,  
NOX-HB150-300)



**MICROWAVE SENSOR**  
**ML-SENSOR**  
(SUITS NOX-HB50-150, NOX-  
HB100-230, NOX-HB150-300)



**MICROWAVE SENSOR**  
**ML-REMOTE**  
(SUITS ML-SENSOR)

**NOTE: REMOTE NOT INCLUDED WITH SENSOR, MUST BE ORDERED SEPARATELY**



# NOX HIGHBAY

## Refractor guide

ML-NOX-HB-REF

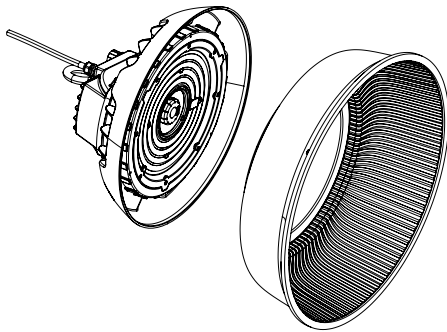
Compatible with:

- NOXHB-50-150
- NOXHB-100-230

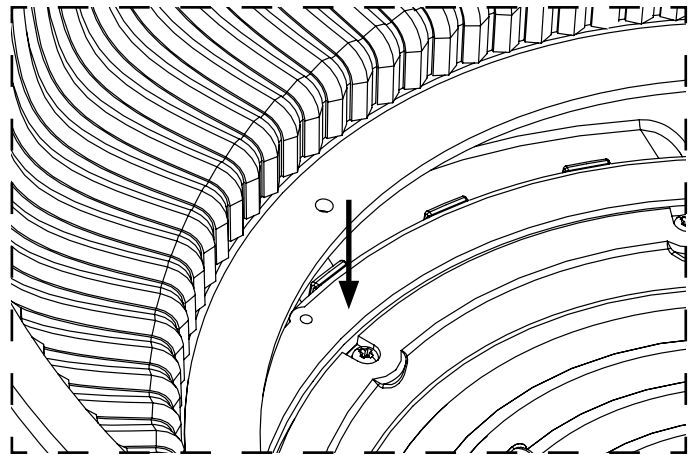


### REFRACTOR INSTALLATION - ML-NOX-HB-REF

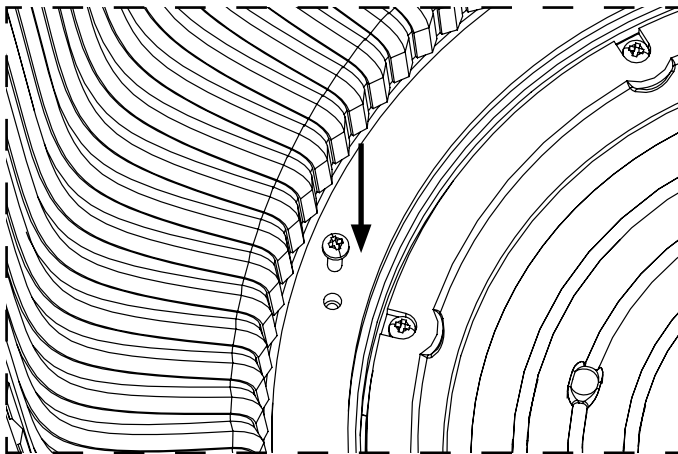
**A**



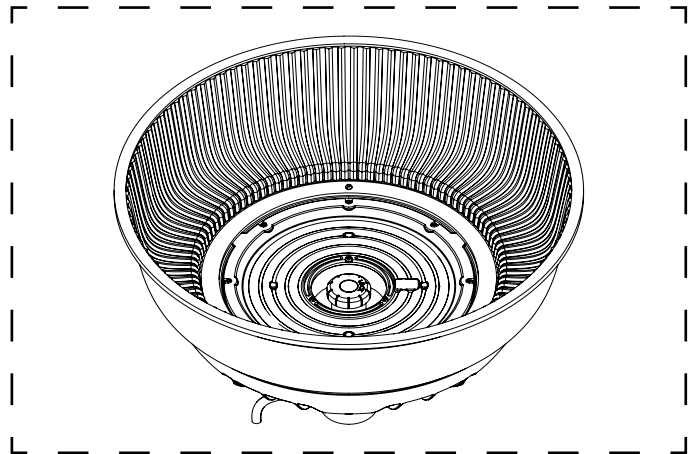
**B**



**C**



**B**



# NOX HIGHBAY

## Reflector lens guide

ML-NOX-HB-REF-D-Y

Compatible with:

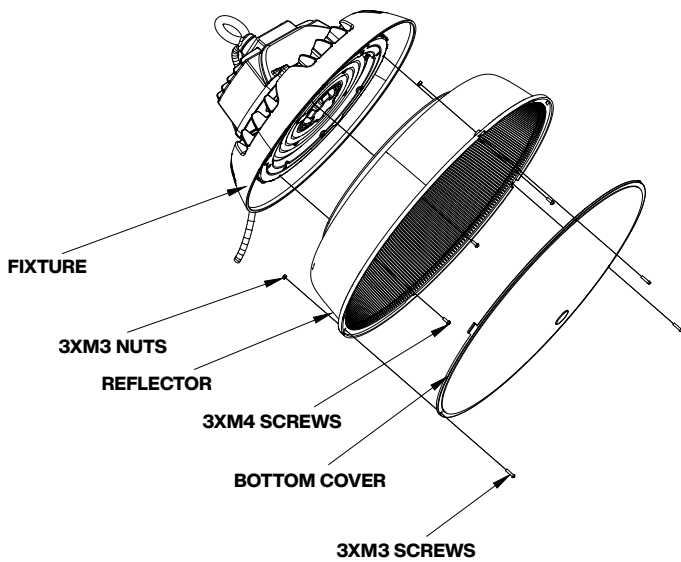
- NOXHB-50-150
- NOXHB-100-230



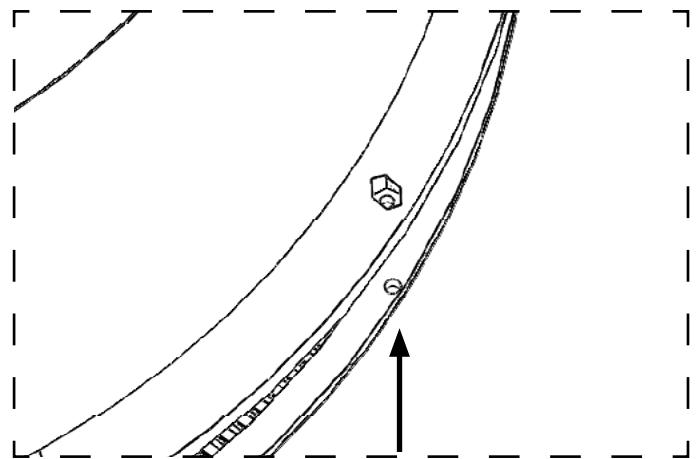
**NOTE: REFRACTOR NOT INCLUDED WITH CONE LENS, MUST BE ORDERED SEPARATELY**

### CONE LENS INSTALLATION - ML-NOX-HB-REF-D-Y

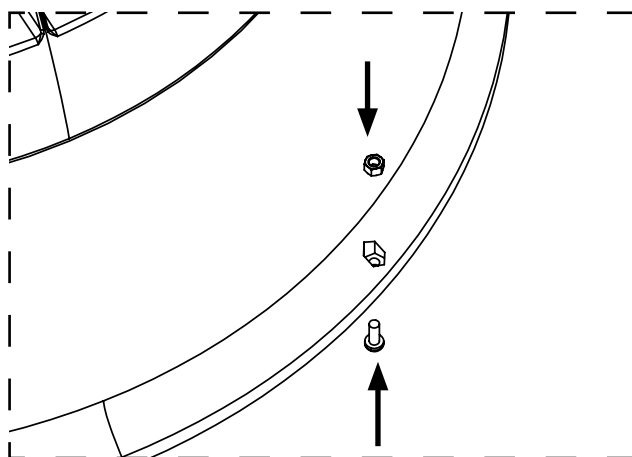
**A**



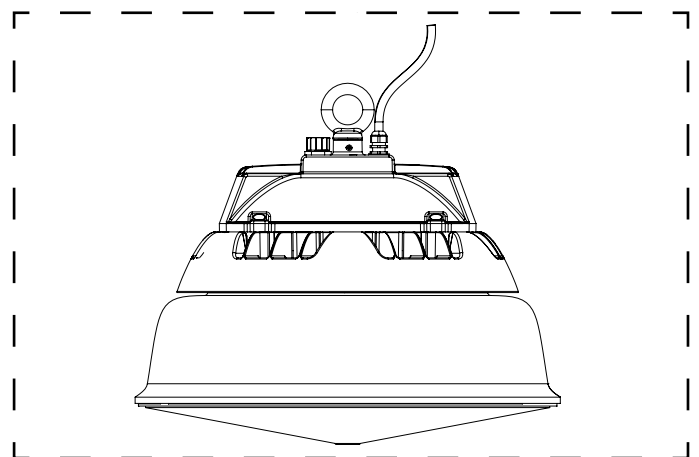
**B**



**C**



**D**



# NOX HIGHBAY

## Refractor lens guide

ML-NOX-HB-REF-D-A

Compatible with:

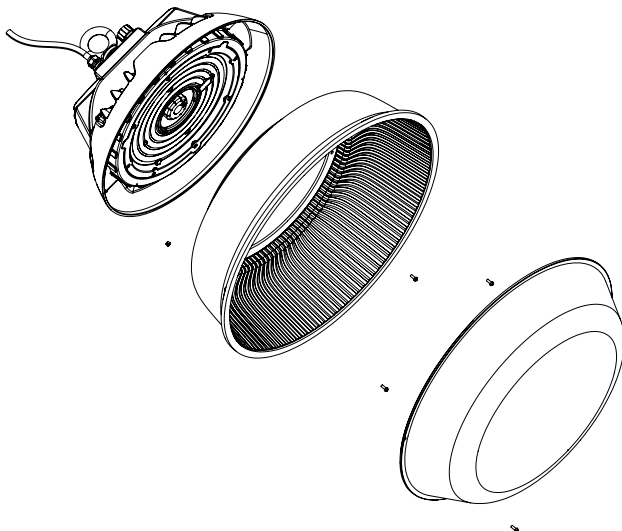
- NOXHB-50-150
- NOXHB-100-230



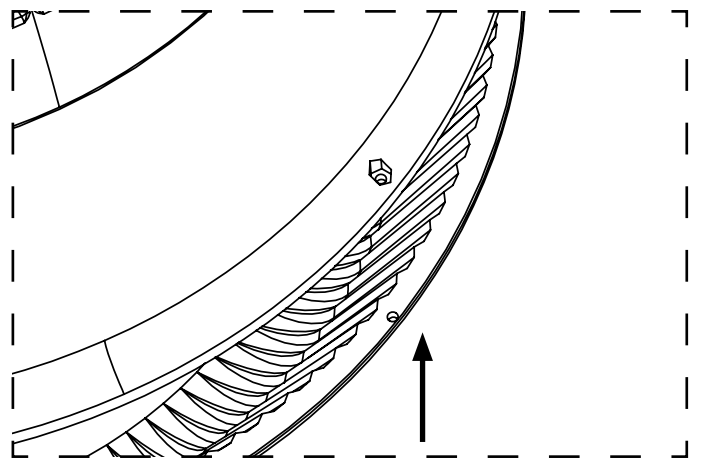
**NOTE: REFRACTOR NOT INCLUDED WITH DROP LENS, MUST BE ORDERED SEPARATELY**

### DROP LENS INSTALLATION - ML-NOX-HB-REF-D-A

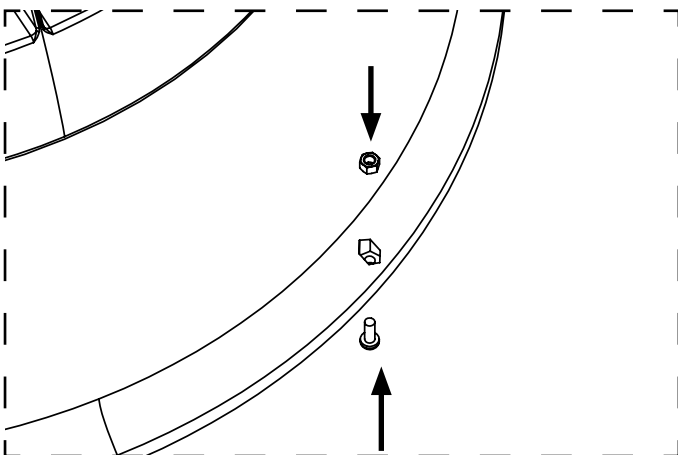
**A**



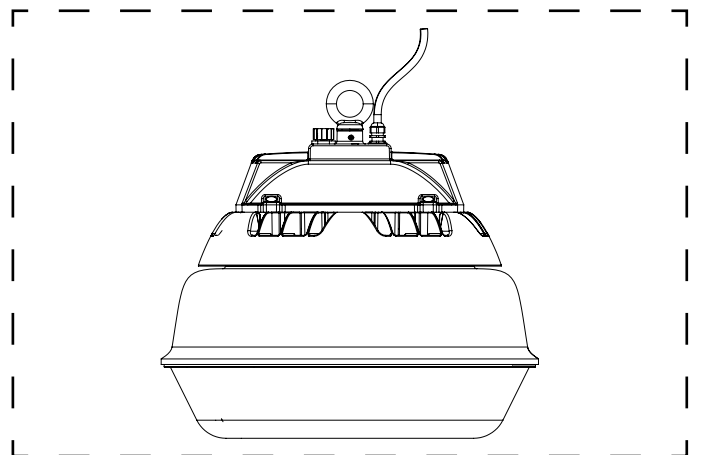
**B**



**B**



**B**





# NOX HIGHBAY

## Bracket mount guide

ML-HB-BR

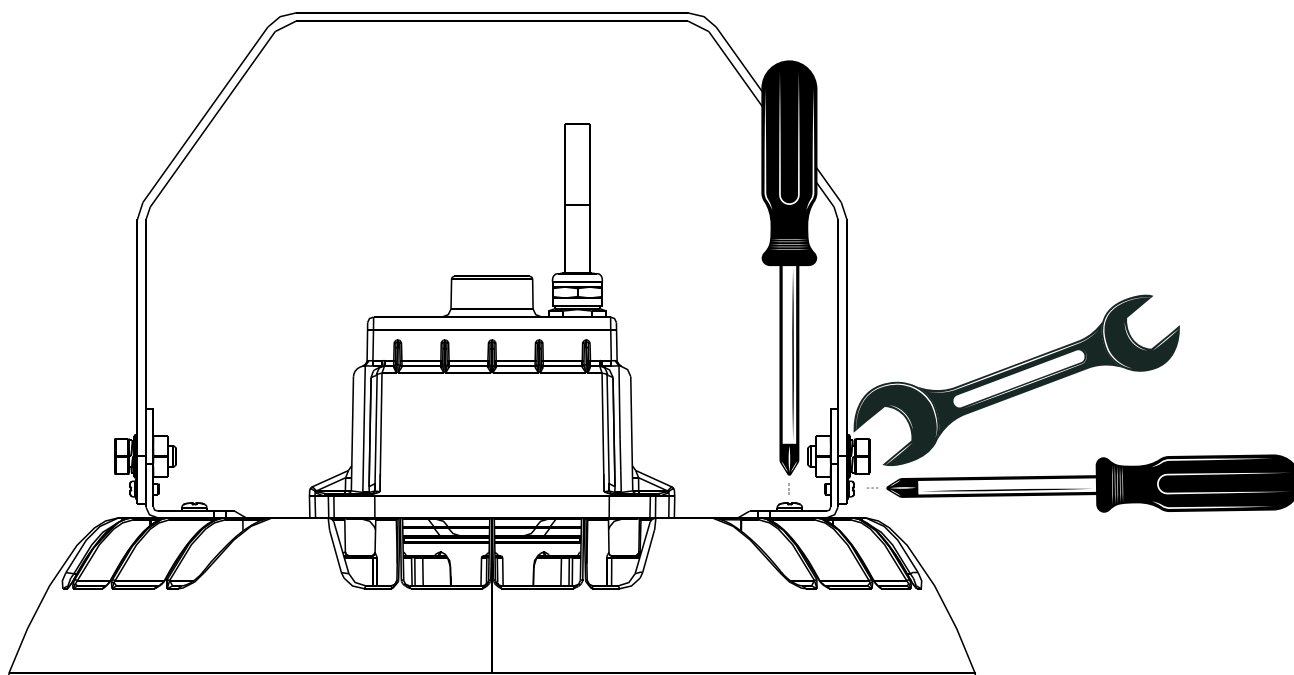
Compatible with:

- NOXHB-50-150
- NOXHB-100-230
- NOXHB-150-300



### BRACKET MOUNT INSTALLATION - ML-HB-BR

**A**



# NOX HIGHBAY

## Sensor & remote guide

### ML-SENSOR & ML-REMOTE

Compatible with:

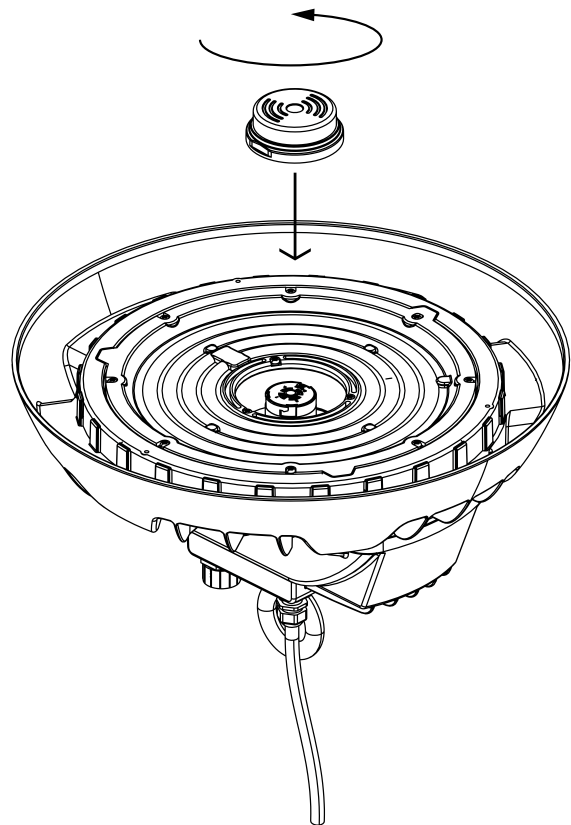
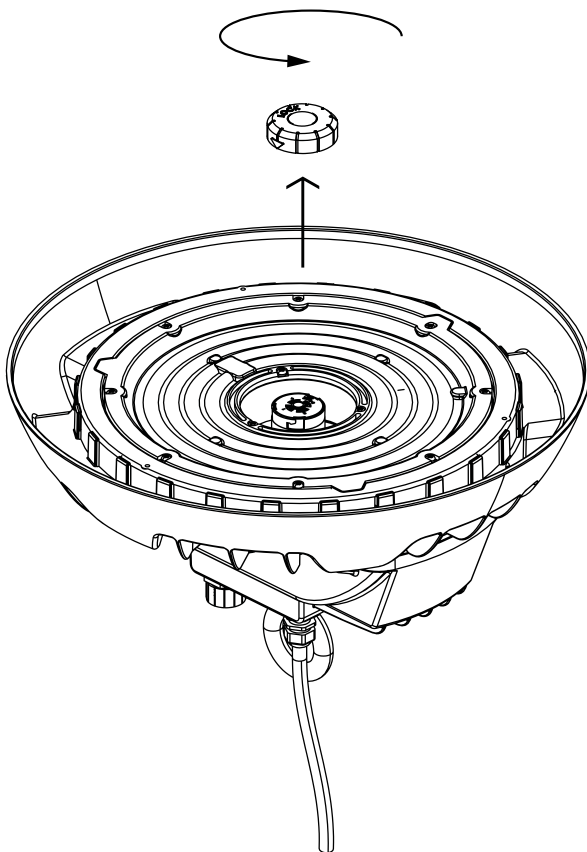
- NOXHB-50-150
- NOXHB-100-230
- NOXHB-150-300

**NOTE: REMOTE NOT INCLUDED WITH SENSOR, MUST BE ORDERED SEPARATELY**



### SENSOR INSTALLATION - ML-NOX-HB-REF-D-Y

1. Unscrew the lock cap from middle of High Bay
2. Replace Lock cap with microwave sensor locking it into place by turning it clockwise.

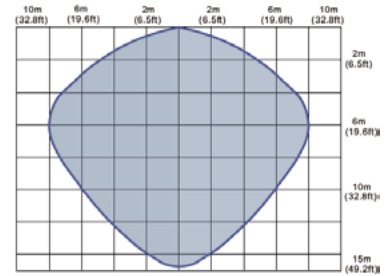


# SENSOR & REMOTE

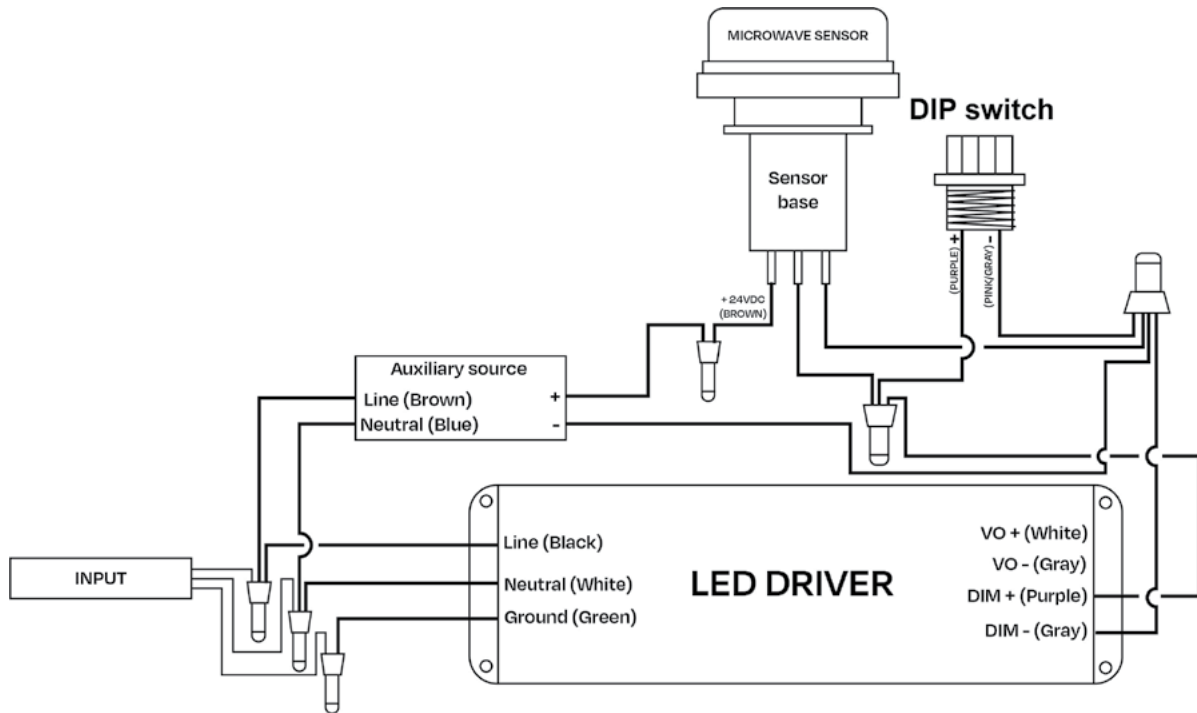
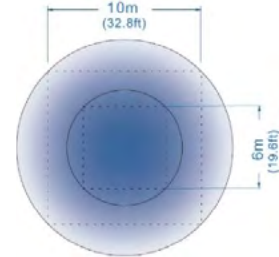
## TECHNICAL INFORMATION

|                     |   |
|---------------------|---|
| IP Rating           | IP65  |
| Input Voltage       | 12VDC   |
| Detection Area      | Max 10m Installation heights. Max 16m Coverage area   |
| Temp Range          | -35° to +60°  |
| Sensor Type         | Microwave motion detector                             |
| Microwave frequency | 5.8G+75MHz, ISM wave band                             |
| Detection Angle     | 150° (wall installation), 360° (ceiling installation) |
| Detection Area      | Max 10m Installation heights. Max 16m Coverage area   |
| Hold Time           | 5s / 2min / 5min / 10min                              |
| Dimensions          | Ø 58x(H)25mm  |
| Weight              | 0.04kg  |
| Warranty            | 5 Years   |

**WALL MOUNTED  
SIDE VIEW**



**CELLING MOUNTED  
TOP VIEW**



## PLEASE NOTE

MUST BE INSTALLED BY A LICENSED ELECTRICIAN

- Read instructions carefully before attempting to install the fitting. Retain this guide for future reference
- All components must not be mechanically stressed
- Follow all relevant electrical and safety standards (including AS3000)
- Damage by corrosion will not be honoured as a material defect claim. It is the user's responsibility to provide suitable protection against corrosive agents such as moisture, condensation and other harmful elements



**SENSOR & REMOTE**



|   |   |   |  |
|---|---|---|--|
| <p>Hibernation - the sensor stops working and goes into hibernation.</p> <p> Press any other key to re-enter the working.</p> <p>Press any other key to realize the function of the key itself.</p> |   | <p> <b>Test</b></p> <p>Test Button<br/>6S</p> | <p> <b>Reset</b></p> <p>Factory Reset</p>  |
| <p> <b>Mode1</b></p> <p>100%+0%/100%+2min1</p>  | <p> <b>Mode2</b></p> <p>00%+20%/100%+2min</p> | <p> <b>Mode3</b></p> <p>50%+0%/100%+2min</p>  | <p> <b>Mode4</b></p> <p>50%+20%/100%+2min</p>  |
| <p> </p> <p>Sensitivity setting of microwavesensor<br/>(Keys only work in microwave mode)</p>   |   |   |  |
| <p> </p> <p>Microwave mode /Microwave Setting</p>   |   |   |  |
| <p> </p> <p>Photocell threshold value setting</p>   |   |   | <p></p> <p>Cancel photocell mode, but invalid in timer Mode and Bucket mode</p>      |
| <p> </p> <p>Duration time Setting after microwave trigger<br/>(Keys only work in microwave mode)</p>  |   |   |  |
| <p> </p> <p> </p> <p>Standby time setting of microwave mode<br/>(Keys only work in microwave mode)</p>  |   |   | <p></p> <p></p> <p>Time Bucket mode 1,2<br/>(Keys only work with photocell mode)</p> |
| <p> </p> <p>Fixed mode / Luminance setting</p>  |   |   |  |
| <p> </p> <p>Timer mode setting<br/>(Keys only work with photocell mode)</p>   |   |   | <p></p> <p>Cancel timer mode</p>   |

## SENSOR & REMOTE



### Sensor sensitivity:

1. Key- The Max detection distance of microwave sensor is 15M.
2. Key- The Max detection distance of microwave sensor is 11M.
3. Key- The Max detection distance of microwave sensor is 7M.
4. Key- The Max detection distance of microwave sensor is 3.5M.

### Duration time:

1. 5S 5S key-lasting time
2. 2min 2min key-lasting time
3. 5min 5min key-lasting time
4. 10min 10min key-lasting time



### Microwave mode:

- 1.No Motion was detected continuously, the light will turn off after the duration time(5S/2min/5min/10min), and the light will remain 100% luminance if motion is detected.
- 2.No motion detected continuously, the light luminance will drop to 20% after the duration time (5S/2min/5min/10min), and the light will remain 100% luminance if motion is detected.
- 3.No motion detected continuously, the light luminance will drop to 30% after the duration time (5S/2min/5min/10min), and the light will remain 100% luminance if motion is detected.
- 4.No motion detected continuously, the light luminance will drop to 50% after the duration time (5S/2min/5min/10min), and the light will remain 100% luminance if motion is detected.



### Fixed mode:

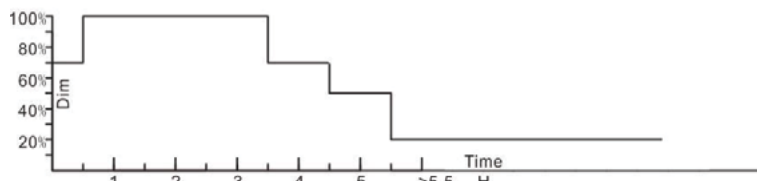
- 1.The light stays at 30% luminance
- 2.The light stays at 60% luminance
- 3.The light stays at 80% luminance
- 4.The light stays at 100% luminance



### Time Bucket mode 1:

The luminance of the light changes with the time bucket. The internal timer starts timing or reset with the ambient luminance under working conditions.

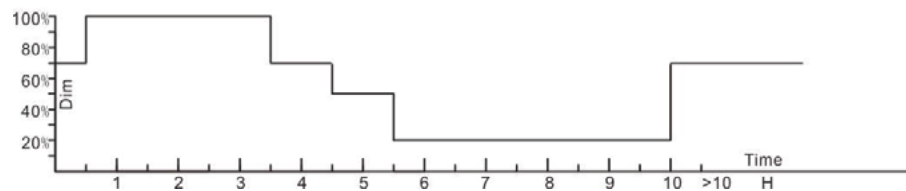
The luminance is 70% in 0.5H, 0.5H-3.5H is 100%, 3.5H-4.5H is 70%, 4.5H-5.5H is 50%.Then turn off the light when the luminance is 20% until the environment is bright.



### Time Bucket mode 2:

The luminance of the light changes with the time bucket. The internal timer starts timing or reset with the ambient luminance under working conditions.

The luminance is 70% in 0.5H, 0.5H-3.5H is 100%, 3.5H-4.5H is 70%, 4.5H-5.5H is 50%, 5.5H-10H is 20%.Then turn off the light when the luminance is 70% until the environment is bright.



## SENSOR & REMOTE



### Timing mode:

1. The internal timer starts timing or reset with the ambient luminance under working conditions, Turn off the lights after 3H
2. The internal timer starts timing or reset with the ambient luminance under working conditions, Turn off the lights after 6H
3. The internal timer starts timing or reset with the ambient luminance under working conditions, Turn off the lights after 9H



### Cancel timing mode:

Timing mode 3H / 6H / 9H Failure.



### Test button:

TEST-Press the button, the red indicator light is on, keep 10% brightness for 1S then entering the induction state,after sense the movement of the object,the light brightness turn to 100%. After testing for 6S,the test mode is automatically exited, and the red indicator light is off.



### Photocell mode :

1. Set the photocell threshold value ambient luminance is about 50Lux.
2. Set the photocell threshold value ambient luminance is about 100Lux.
3. Set the photocell threshold value ambient luminance is about 200Lux.

When ambient luminance is below the threshold,the product enters working state,and run according to the setting mode. When ambient luminance is over the threshold, infrared ray in the environment reaches the inherent threshold of the product, the product enter non-working state, the light is off.



### Turn off Photocell mode :

- 1.Photocell mode 50Lux /100Lux /200Lux is failure, The change of ambient luminance has no effect on the working state of the controller.

### Stand-by time :

1. 0S 0S key-Set standby time as 0S
2. 1min 1min key-Set standby time as 1Min
3. 5min 5min key-Set standby time as 5Min
4. 10min 10min key- Set standby time as 10Min
5. 30min 30min key-Set standby time as 30Min

Standby mode only be activated in microwave mode with 20%-100% 30%-100% 50%-100%

For example, when the microwave mode is 20% - 100%, no motion state is detected continuously, and the holding time is up to (5S / 2min / 5min)The brightness of the light will be reduced to 20%, and no motion state is detected continuously. When the standby time is up (0s / 1min / 5min / 10min / 30min), the light will be turned off. If motion state is detected, the light will maintain 100% brightness.



6. Cancel the standby mode

For example microwave mode 20%-100% No motion detected continuously, the light luminance will drop to 20% after the duration time (5S/2min/5min), and the light will remain 100% luminance if motion is detected.



### factory reset:

- 1.The operation of remote has memory function resume to default setting

- 1.Factory default mode is 2min 0%-100% 100% 50LUX Cancel timing mode Cancel the standby mode
- 2.Time Bucket mode/fixed mode/microwave mode can only be activated in one mode at the same time.
- 3.Time Bucket mode, Timer mode can only work in photocell mode and in outdoor environments with alternating light and dark.

**FREE**  
**ONSITE WARRANTY**

EXCLUSIVE TO  
MEMBERS ONLY



**FREE ONSITE WARRANTY FOR 3 YEARS**  
**INCLUDES PARTS & LABOUR**

---

*In conjunction with your standard product warranty*