

AT9819 TRI

AT9819/TRI/50

Slim Tri-CCT LED Flood Light

Features

- High efficient LED array
- Compact Design
- Compatible with retrofit sensor (sold seperately)
- Adjustable bracket
- Tri-CCT selectable



ORDERING INFORMATION

Order code	12306
Description	50W Slim Floodlight - Tri-CCT - Black
Driver Type	Fixed output
Item Code	AT9819/TRI/50

MECHANICAL

Adjustability	Adjustable
Body Material	Polycarbonate
Diffuser Material	Glass
Fitting Colour	Black
IK Rating	IK07
Installation Type	Surface mount
IP Rating	IP65

ELECTRICAL

Electrical Rating	Class I
Input Frequency	50 Hz
Input voltage	230Vac

In Australia the Input voltage is defined as 230Vac -6%/+10%. This effectively means that the voltage range of these products are 216Vac - 253Vac or 240V +6%

Maximum Wattage	50 W
Surge Protection L/N-PE	2kV
Surge Protection L-N	2kV
Working Temp Range	-30 to 50 °C

LAMP

Macadam Steps (SDCM)	5-step MacAdam Ellipse
Beam Angle	110 °
CCT Configuration	TRI-CCT
CRI	>80
System Efficiency	107 lm/W

LED LIFETIME

LED Lifetime	50000 hrs
---------------------	-----------

This is the Reported LED Lifetime in Hours based on TM-21. Atom does not list the projected or calculated LED lifetime, which is normally longer as TM-21 Addendum B explicitly states "The Calculated and Projected Lp(Dk) are not to be reported". This Lifetime refers to the life of a single LED however the system life is longer since the probability and binomial distribution of all LEDs in the system means that the average led is performing above the specification and compensates for the LEDs falling below.

COLOUR TEMPERATURE

Warm White (3000 K)	4670 lm
Cool White (4000 K)	5220 lm
DayLight (5000 K)	4940 lm

DRIVER

Dimmable	No
Integrated Driver	Yes
Driver Mode	Constant Current
Driver Type	Fixed output
Flex & Plug or Lead Length	650 mm
Wiring Type	Flying leads (3 wire)

WARRANTY

Commercial Use Warranty	3 RTB (Total 3 Years)
Domestic Use Warranty	3 (Yr) RTB
VIP Warranty	2 Onsite, 3 RTB (Total 5 Years)

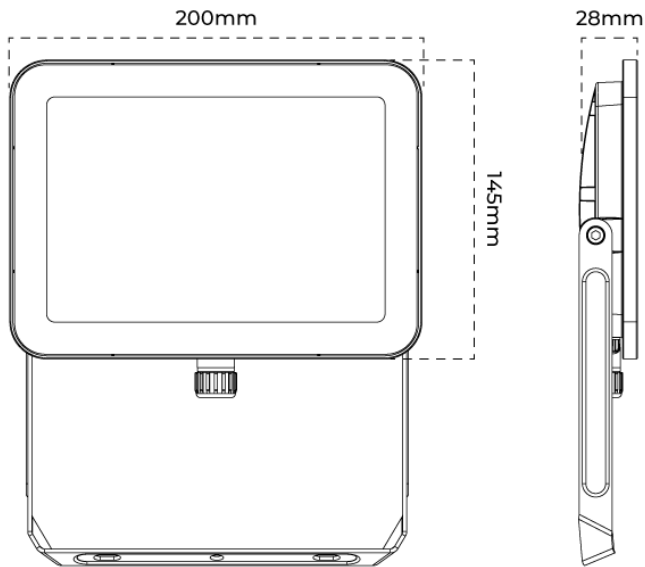
VIP warranty is available to registered users and is subjected to additional terms and conditions.

DIMENSIONS

Product Height	135 mm
Product Length	190 mm
Product Width	30 mm

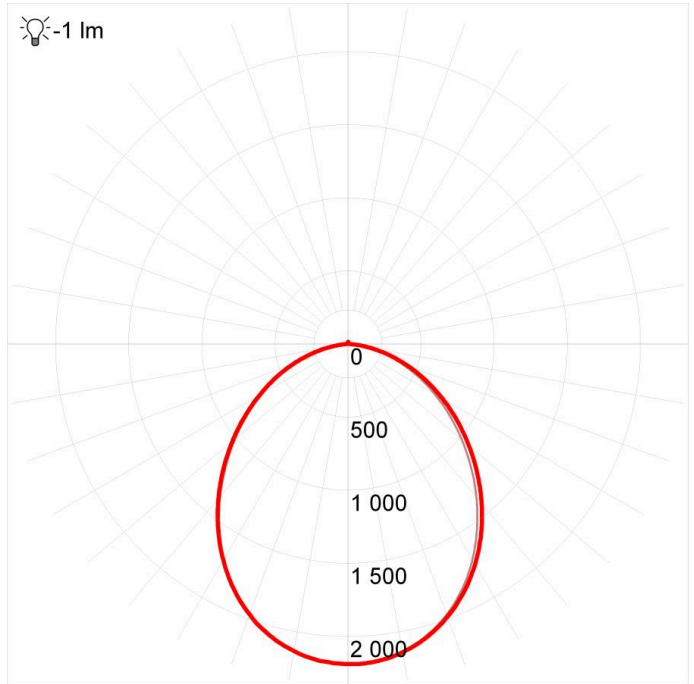
LINE DRAWINGS

AT9819/TRI/50

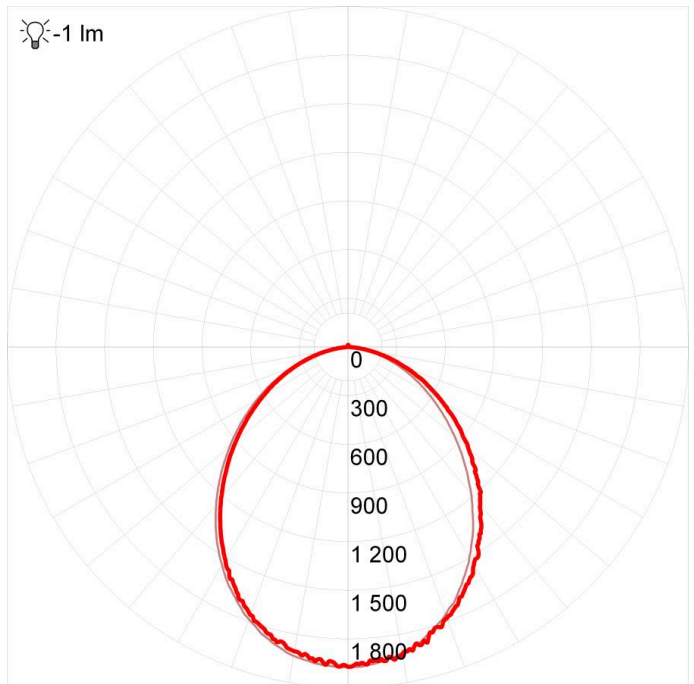


PHOTOMETRICS

AT9819/TRI/50W/4000K



AT9819/TRI/50W/3000K



AT9819/TRI/50W/5000K

