

# LED FIRE PRO

## Professional Emergency Luminaire

- Non-maintained operation
- Soft-start charger to reduce building load
- Lowest energy consumption (avg. <0.25W)
- Selectable discharge rating for hazardous areas
- Fast emergency switch-over (<0.5s) for high-task areas



ORDERING INFORMATION	
Order code	11512
Description	Ledfire Pro Emergency Luminaire - D80 - W/Terminal Block
Driver Type	DALI DT1 Emergency
Item Code	EV-LED FIRE-PRO-DA-JB

MECHANICAL	
Body Material	Polycarbonate
Fitting Colour	White
Installation Type	Recessed
IP Rating	IP44 Front Face Only

ELECTRICAL	
Electrical Rating	Class II
Input Frequency	50 Hz
Input voltage	230Vac
In Australia the Input voltage is defined as 230Vac -6%/+10%. This effectively means that the voltage range of these products are 216Vac - 253Vac or 240V +6%	
Maximum Wattage	2.5 W
Standby Power	0.25 W
Standby power for non-maintained/switched maintained emergency devices is measured when the light is off and the charger is in standby mode. For maintained emergency devices, standby power is measured when the light is on and the charger is in standby mode. Typically, charging occurs for the first 16 hours after the device is powered or after a battery discharge.	
Working Temp Range	0 to 40 °C

DRIVER	
Driver Included	Yes
Driver Type	DALI DT1 Emergency
Flex & Plug or Lead Length	150 mm
Wiring Type	Re-wireable terminal block (4 pin)

EMERGENCY (EM SUFFIX)	
Replacement Battery Code	01303
Emergency Classification	C0:D80, C90:D80
Emergency Control	DALI Monitored (DT1)
DALI Monitored ~ Supports Emergency test and monitoring over DALI (IEC62386) with full compliance to IEC62386-202.	
Emergency Duration	90 mins
Emergency Lumen Output	320 lm
Emergency Mode	Non-Maintained
Emergency Output Power	2900 mW

COMPLIANCE	
Product Design Life	12 years
The product design life relates to the total product life which includes LEDs, drivers and the enclosure. This is different to the LED lifetime which only refers to the economical lifetime of the LEDs at which time the lumen output has dropped below the L Value. The product design life is calculated at the maximum ambient or working temperature of the product and takes into account the Daily Use.	
Standards	AS/NZS 60598.1 AS 60598.2.22 AS/NZS 61347.1 AS/NZS 61347.2.13 AS CISPR 15 AS/NZS 2293.3

### WARRANTY

**Commercial Use Warranty** 8 RTB (Total 8 Years)

### DIMENSIONS

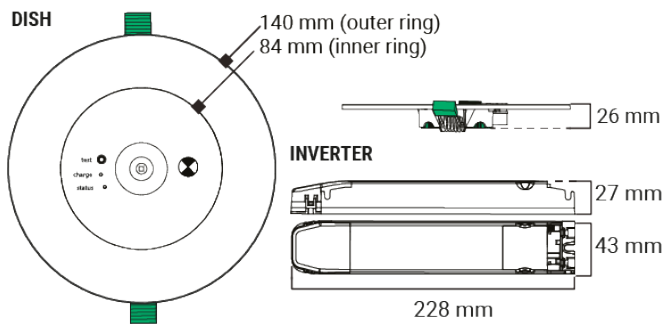
**Cutout** 70 (inner), 75-130 (outer) mm

**Product Diameter** 84 mm

**Product Height** 26 mm

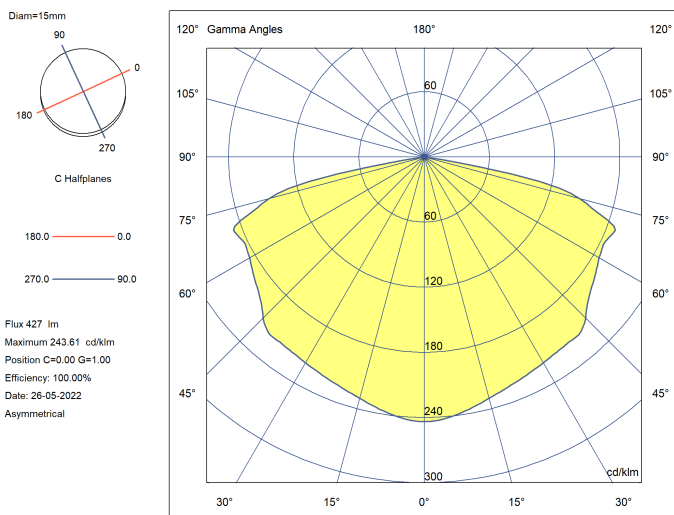
### LINE DRAWINGS

#### EV/LED FIRE/PRO



### PHOTOMETRICS

#### EV/LED FIRE/PRO



### ACCESSORIES

**Order code** 12909

**Description** Surface Mount Can IP20 for EV-LED FIRE - White

**Item Code** EV-LED FIRE-SM-CAN