

LED FIRE ADV

Advanced Emergency Luminaire

- Non-maintained operation
- Soft-start charger to reduce building load
- Lowest energy consumption (avg. <0.25W)
- Fast emergency switch-over (<0.5s) for high-task areas



ORDERING INFORMATION	
Order code	10996
Description	Ektor Lynk Advanced Ledfire Emergency Luminaire - Black - D63 - W/wireless
Driver Type	Wireless (IEC62386-104) with DT1
Item Code	EV-LED FIRE-ADV-B-LK

MECHANICAL	
Body Material	Polycarbonate
Fitting Colour	Black
Installation Type	Recessed
IP Rating	IP44 Front Face Only

ELECTRICAL	
Electrical Rating	Class II
Input Frequency	50 Hz
Input voltage	230Vac
In Australia the Input voltage is defined as 230Vac -6%/+10%. This effectively means that the voltage range of these products are 216Vac - 253Vac or 240V +6%	
Maximum Wattage	2.5 W
Standby Power	0.25 W
Standby power for non-maintained/switched maintained emergency devices is measured when the light is off and the charger is in standby mode. For maintained emergency devices, standby power is measured when the light is on and the charger is in standby mode. Typically, charging occurs for the first 16 hours after the device is powered or after a battery discharge.	
Working Temp Range	0 to 40 °C

DRIVER	
Driver Included	Yes
Driver Type	Wireless (IEC62386-104) with DT1
Flex & Plug or Lead Length	1200 mm
Wiring Type	Re-wireable Flex & Plug (2 pin)

EMERGENCY (EM SUFFIX)	
Replacement Battery Code	01302
Emergency Classification	C0:D63, C90:D63
Emergency Control	IEC62386-104 (Wireless DT1)
IEC62386-104 ~ Supports wireless test and monitoring over IEC62386-104 using IEC62386-202.	
Emergency Duration	90 mins
Emergency Lumen Output	330 lm
Emergency Mode	Non-Maintained
Emergency Output Power	2100 mW

COMPLIANCE	
Product Design Life	8 years
The product design life relates to the total product life which includes LEDs, drivers and the enclosure. This is different to the LED lifetime which only refers to the economical lifetime of the LEDs at which time the lumen output has dropped below the L Value. The product design life is calculated at the maximum ambient or working temperature of the product and takes into account the Daily Use.	
Standards	AS/NZS 60598.1 AS 60598.2.22 AS/NZS 61347.1 AS/NZS 61347.2.13 AS CISPR 15 AS/NZS 2293.3

WARRANTY

Commercial Use Warranty 6 RTB (Total 6 Years)

DIMENSIONS

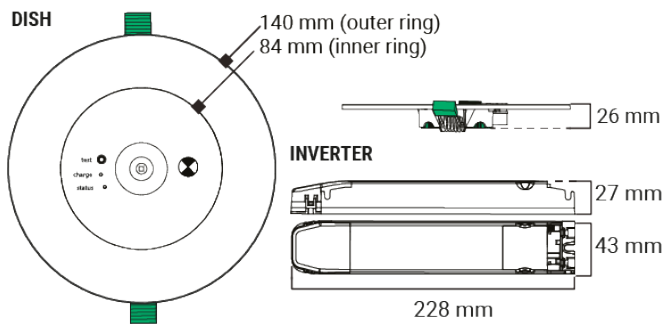
Cutout 70 (inner), 75-130 (outer) mm

Product Diameter 84 mm

Product Height 26 mm

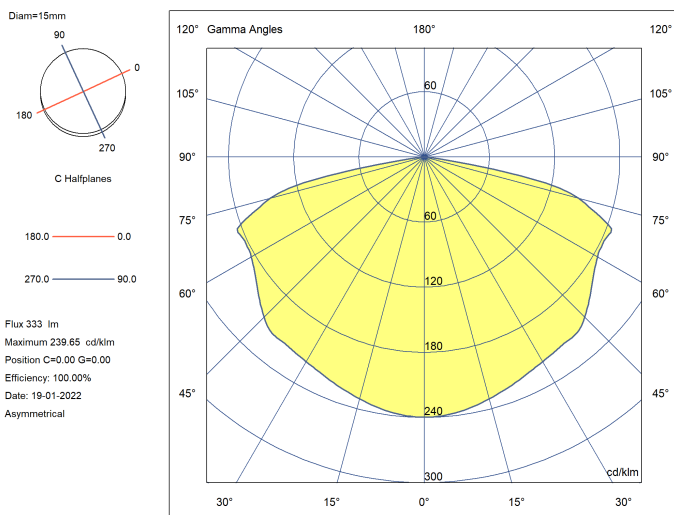
LINE DRAWINGS

EV/LED-FIRE/ADV



PHOTOMETRICS

EV/LED-FIRE/ADV



ACCESSORIES

Order code 12910

Description Surface Mount Can IP20 for EV-LED-FIRE - Black

Item Code EV-LED-FIRE-SM-CAN-B