

LED FIRE ADV

Advanced Emergency Luminaire

- Non-maintained operation
- Soft-start charger to reduce building load
- Lowest energy consumption (avg. <0.25W)
- Fast emergency switch-over (<0.5s) for high-task areas



| ORDERING INFORMATION | |
|----------------------|--|
| Order code | 10993 |
| Description | Ledfire Advanced Emergency Luminaire DALI - Black - D63 - DALI - W/CMS |
| Driver Type | DALI DT1 Emergency |
| Item Code | EV-LED FIRE-ADV-B-DA-CMS |

| MECHANICAL | |
|-------------------|----------------------|
| Body Material | Polycarbonate |
| Fitting Colour | Black |
| Installation Type | Recessed |
| IP Rating | IP44 Front Face Only |

| ELECTRICAL | |
|---|------------|
| Electrical Rating | Class II |
| Input Frequency | 50 Hz |
| Input voltage | 230Vac |
| In Australia the Input voltage is defined as 230Vac -6%/+10%. This effectively means that the voltage range of these products are 216Vac - 253Vac or 240V +6% | |
| Maximum Wattage | 2.5 W |
| Standby Power | 0.25 W |
| Standby power for non-maintained/switched maintained emergency devices is measured when the light is off and the charger is in standby mode. For maintained emergency devices, standby power is measured when the light is on and the charger is in standby mode. Typically, charging occurs for the first 16 hours after the device is powered or after a battery discharge. | |
| Working Temp Range | 0 to 40 °C |

| DRIVER | |
|--|--------------------|
| Driver Included | Yes |
| Driver Type | DALI DT1 Emergency |
| Flex & Plug or Lead Length | 2400 mm |
| Wiring Type | CMS Plug (5 pin) |
| CMS ~ Supplied with a CMS Electracom- 5 pin plug to suit QF series wiring, model number QFP3AT | |

| EMERGENCY (EM SUFFIX) | |
|--|----------------------|
| Replacement Battery Code | 01302 |
| Emergency Classification | C0:D63, C90:D63 |
| Emergency Control | DALI Monitored (DT1) |
| DALI Monitored ~ Supports Emergency test and monitoring over DALI (IEC62386) with full compliance to IEC62386-202. | |
| Emergency Duration | 90 mins |
| Emergency Lumen Output | 330 lm |
| Emergency Mode | Non-Maintained |
| Emergency Output Power | 2100 mW |

| COMPLIANCE | |
|---|---|
| Product Design Life | 8 years |
| The product design life relates to the total product life which includes LEDs, drivers and the enclosure. This is different to the LED lifetime which only refers to the economical lifetime of the LEDs at which time the lumen output has dropped below the L Value. The product design life is calculated at the maximum ambient or working temperature of the product and takes into account the Daily Use. | |
| Standards | AS/NZS 60598.1 AS 60598.2.22 AS/NZS 61347.1 AS/NZS 61347.2.13 AS CISPR 15 |

WARRANTY

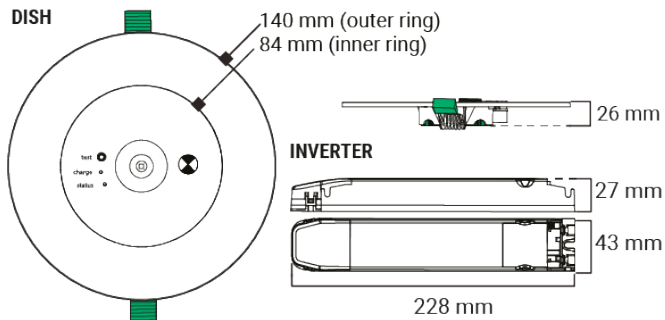
Commercial Use Warranty 6 RTB (Total 6 Years)

DIMENSIONS

Cutout 70 (inner), 75-130 (outer) mm
Product Diameter 84 mm
Product Height 26 mm

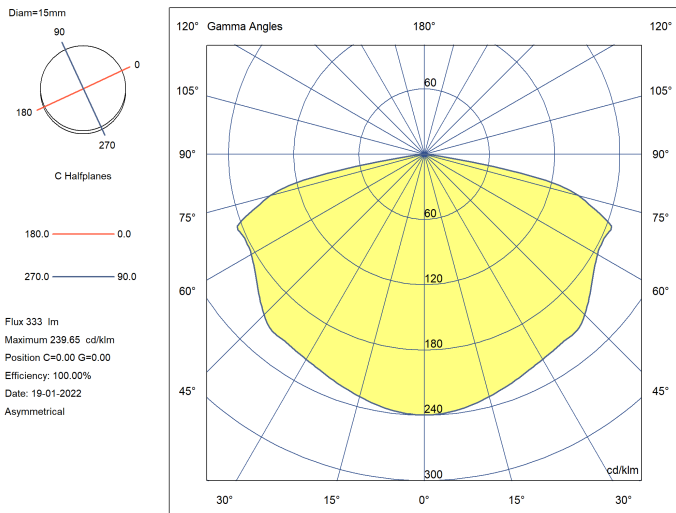
LINE DRAWINGS

EV/LED FIRE/ADV



PHOTOMETRICS

EV/LED FIRE/ADV



ACCESSORIES

| | |
|--------------------|--|
| Order code | 12910 |
| Description | Surface Mount Can IP20 for EV-LED FIRE - Black |
| Item Code | EV-LED FIRE-SM-CAN-B |