

AT9819 TRI

AT9819/TRI/30

Slim Tri-CCT LED Flood Light

Features

- High efficient LED array
- Power Adjustable - 30W/20W/15W
- Compatible with retrofit sensor (sold seperately)
- Adjustable bracket
- Tri-CCT selectable



ORDERING INFORMATION

Order code	12304
Description	30W Slim Power Adjustable Floodlight - Tri-CCT - Black
Driver Type	Fixed output
Item Code	AT9819/TRI/30

MECHANICAL

Adjustability	Adjustable
Body Material	Polycarbonate
Diffuser Material	Glass
Fitting Colour	Black
IK Rating	IK06
Installation Type	Surface mount
IP Rating	IP65

ELECTRICAL

Electrical Rating	Class I
Input Frequency	50 Hz
Input voltage	230Vac
In Australia the Input voltage is defined as 230Vac -6%/+10%. This effectively means that the voltage range of these products are 216Vac - 253Vac or 240V +6%	
Maximum Wattage	30 W
Surge Protection L/N-PE	2kV
Surge Protection L-N	2kV
Working Temp Range	-30 to 50 °C

LAMP

Macadam Steps (SDCM)	5-step MacAdam Ellipse
Beam Angle	110 °
CCT Configuration	TRI-CCT
CRI	>80
System Efficiency	100 lm/W

LED LIFETIME

LED Lifetime	50000 hrs
This is the Reported LED Lifetime in Hours based on TM-21. Atom does not list the projected or calculated LED lifetime, which is normally longer as TM-21 Addendum B explicitly states "The Calculated and Projected Lp(Dk) are not to be reported". This Lifetime refers to the life of a single LED however the system life is longer since the probability and binomial distribution of all LEDs in the system means that the average led is performing above the specification and compensates for the LEDs falling below.	

COLOUR TEMPERATURE

15 Watts

Warm White (3000 K)	1540 lm
Cool White (4000 K)	1640 lm
DayLight (5000 K)	1600 lm

30 Watts

Warm White (3000 K)	2750 lm
Cool White (4000 K)	3075 lm
DayLight (5000 K)	2870 lm

DRIVER

Dimmable	No
Integrated Driver	Yes
Driver Mode	Constant Current
Driver Type	Fixed output
Wiring Type	Flying leads (3 wire)

WARRANTY

Commercial Use Warranty	3 RTB (Total 3 Years)
Domestic Use Warranty	3 (Yr) RTB
VIP Warranty	2 Onsite, 3 RTB (Total 5 Years)

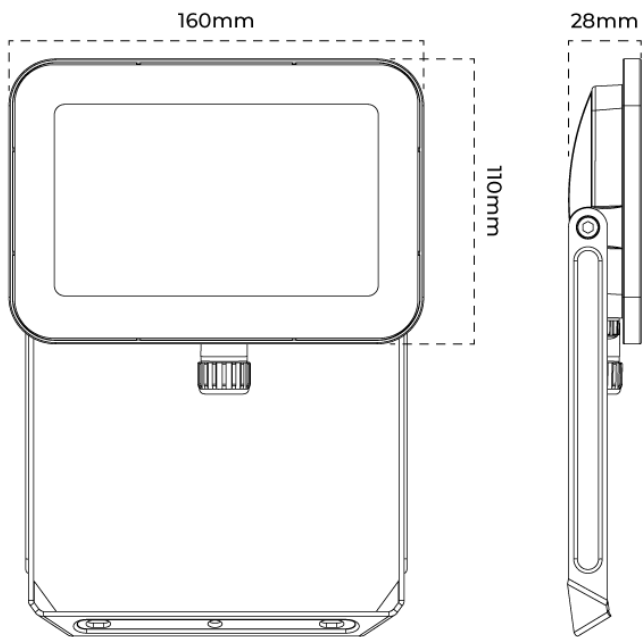
VIP warranty is available to registered users and is subjected to additional terms and conditions.

DIMENSIONS

Product Height	105 mm
Product Length	150 mm
Product Width	30 mm

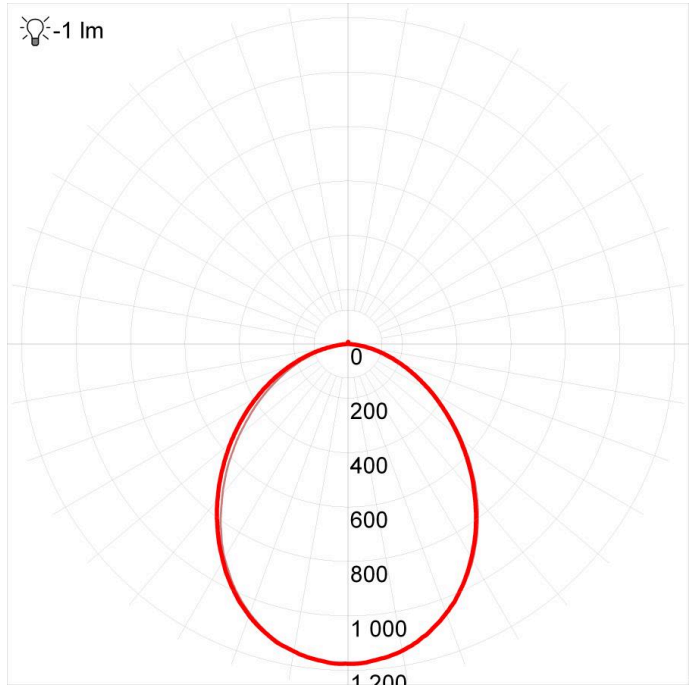
LINE DRAWINGS

AT9819/TRI/30

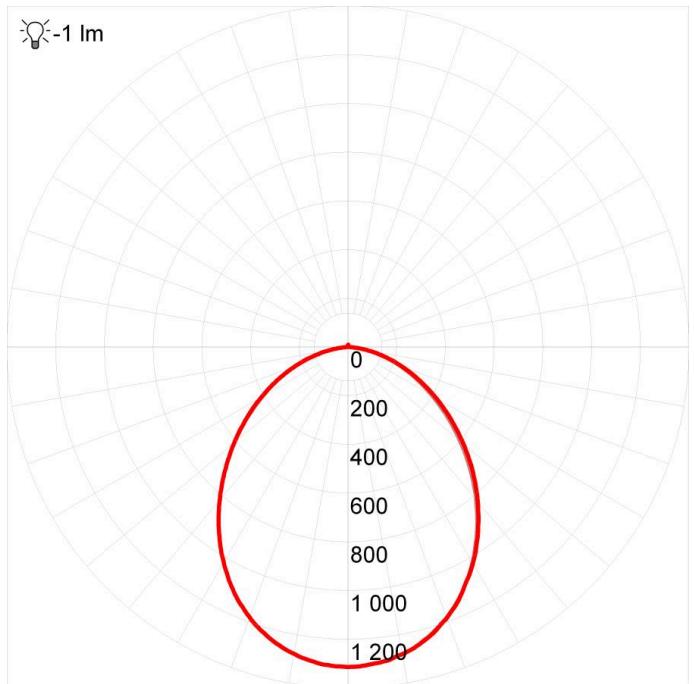


PHOTOMETRICS

AT9819/TRI/30W/3000K



AT9819/TRI/30W/4000K



AT9819/TRI/30W/5000K

