

LED FIRE ALL-IN-ONE

Basic All-in-one Emergency Luminaire



ORDERING INFORMATION

Order code	10977
Description	Ledfire Basic Emergency Luminaire - Black - D40 - W/F&P
Driver Type	Fixed output
Item Code	EV-LED FIRE-BASIC-B

MECHANICAL

Fitting Colour	Black
----------------	-------

ELECTRICAL

Electrical Rating	Class II
Input Frequency	50 Hz
Input voltage	230Vac

In Australia the Input voltage is defined as 230Vac -6%/+10%. This effectively means that the voltage range of these products are 216Vac - 253Vac or 240V +6%

DRIVER

Driver Included	Yes
Integrated Driver	Yes
Driver Type	Fixed output

EMERGENCY (EM SUFFIX)

Replacement Battery Code	01307
Emergency Duration	90 mins
Emergency Mode	Non-Maintained

COMPLIANCE

Product Design Life	6 years
---------------------	---------

The product design life relates to the total product life which includes LEDs, drivers and the enclosure. This is different to the LED lifetime which only refers to the economical lifetime of the LEDs at which time the lumen output has dropped below the L Value. The product design life is calculated at the maximum ambient or working temperature of the product and takes into account the Daily Use.

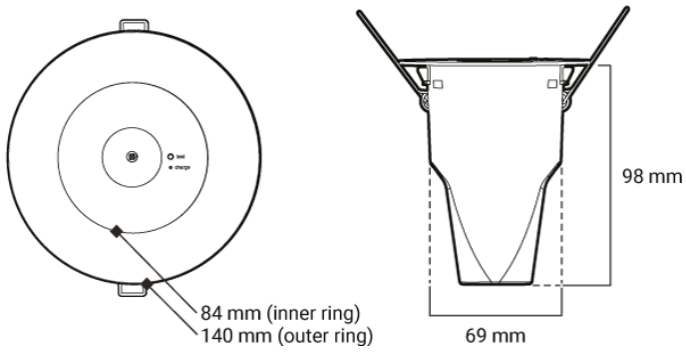
Standards	AS/NZS 60598.1 AS 60598.2.22 AS/NZS 61347.1 AS/NZS 61347.2.13 AS CISPR 15 AS/NZS 2293.3
-----------	--

WARRANTY

Commercial Use Warranty	5 RTB (Total 5 Years)
-------------------------	-----------------------

LINE DRAWINGS

EV/LED-FIRE/BASIC



PHOTOMETRICS

EV/LED-FIRE/BASIC

