

# AT9819 TRI

AT9819/TRI/10

Slim Tri-CCT LED Flood Light

## Features

- High efficient LED array
- Compact Design
- IP65 weatherproof Rating
- Adjustable bracket
- Tri-CCT selectable



## ORDERING INFORMATION

<b>Order code</b>	12303
<b>Description</b>	10W Slim Floodlight - Tri-CCT - Black
<b>Driver Type</b>	Fixed output
<b>Item Code</b>	AT9819/TRI/10

## MECHANICAL

<b>Adjustability</b>	Adjustable
<b>Body Material</b>	Polycarbonate
<b>Diffuser Material</b>	Glass
<b>Fitting Colour</b>	Black
<b>IK Rating</b>	IK06
<b>Installation Type</b>	Surface mount
<b>IP Rating</b>	IP65

## ELECTRICAL

<b>Electrical Rating</b>	Class I
<b>Input Frequency</b>	50 Hz
<b>Input voltage</b>	230Vac

In Australia the Input voltage is defined as 230Vac -6%/+10%. This effectively means that the voltage range of these products are 216Vac - 253Vac or 240V +6%

<b>Maximum Wattage</b>	10 W
<b>Surge Protection L/N-PE</b>	2kV
<b>Surge Protection L-N</b>	2kV
<b>Working Temp Range</b>	-30 to 50 °C

## LAMP

<b>Macadam Steps (SDCM)</b>	5-step MacAdam Ellipse
<b>Beam Angle</b>	110 °
<b>CCT Configuration</b>	TRI-CCT
<b>CRI</b>	>80
<b>System Efficiency</b>	100 lm/W

## LED LIFETIME

<b>LED Lifetime</b>	50000 hrs
---------------------	-----------

This is the Reported LED Lifetime in Hours based on TM-21. Atom does not list the projected or calculated LED lifetime, which is normally longer as TM-21 Addendum B explicitly states "The Calculated and Projected Lp(Dk) are not to be reported". This Lifetime refers to the life of a single LED however the system life is longer since the probability and binomial distribution of all LEDs in the system means that the average led is performing above the specification and compensates for the LEDs falling below.

## COLOUR TEMPERATURE

Warm White (3000 K)	960 lm
Cool White (4000 K)	1015 lm
DayLight (5000 K)	970 lm

## DRIVER

<b>Dimmable</b>	No
<b>Integrated Driver</b>	Yes
<b>Driver Mode</b>	Constant Current
<b>Driver Type</b>	Fixed output
<b>Flex &amp; Plug or Lead Length</b>	650 mm
<b>Wiring Type</b>	Flying leads (3 wire)

## WARRANTY

<b>Commercial Use Warranty</b>	3 RTB (Total 3 Years)
<b>Domestic Use Warranty</b>	3 (Yr) RTB
<b>VIP Warranty</b>	2 Onsite, 3 RTB (Total 5 Years)

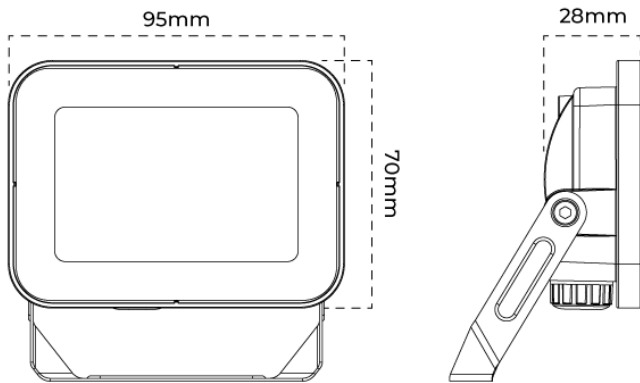
VIP warranty is available to registered users and is subjected to additional terms and conditions.

## DIMENSIONS

<b>Product Height</b>	77 mm
<b>Product Length</b>	104 mm
<b>Product Width</b>	30 mm

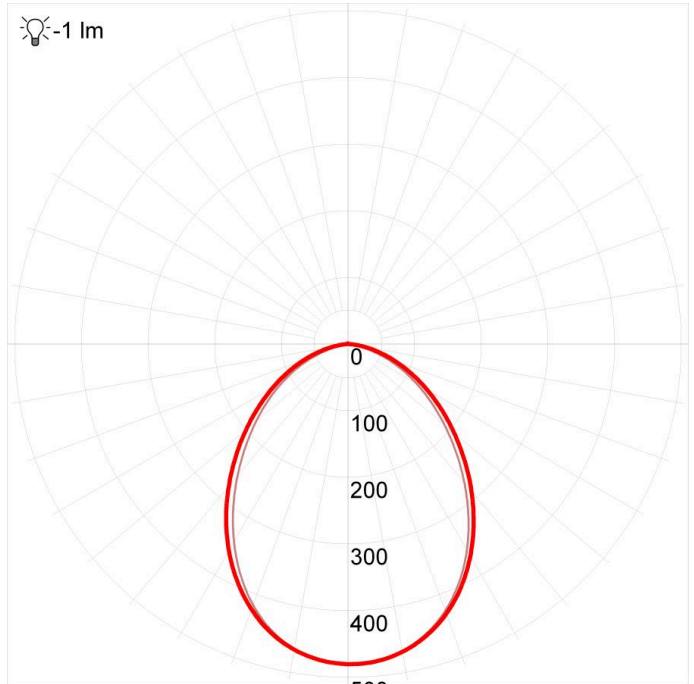
## LINE DRAWINGS

### AT9819/TRI/10

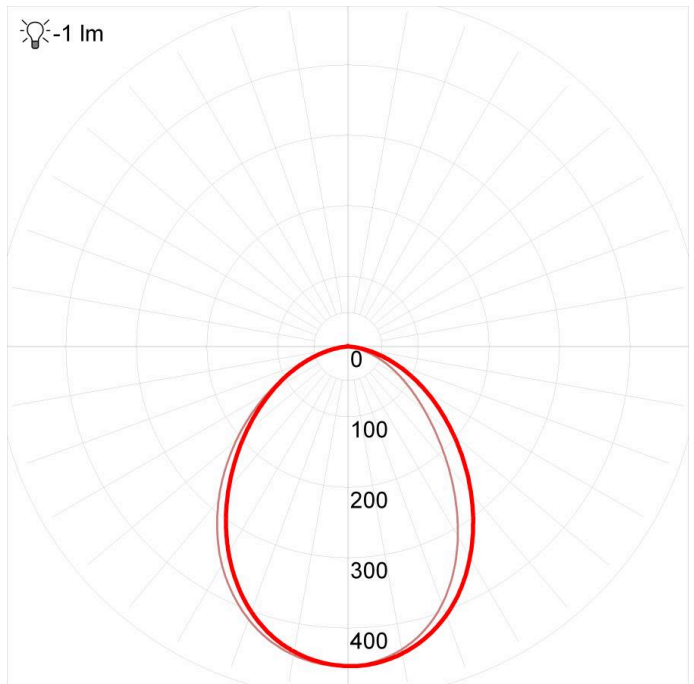


## PHOTOMETRICS

### AT9819/TRI/10W/4000K



### AT9819/TRI/10W/3000K



AT9819/TRI/10W/5000K

