

CONDUIT FITTINGS

PVC DRAIN TEE

SPECIFICATIONS

Weatherproof rating:

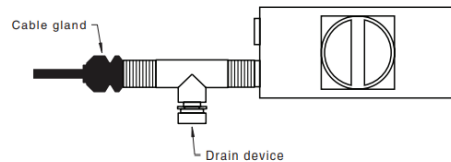
- IP65

Drain valve material:

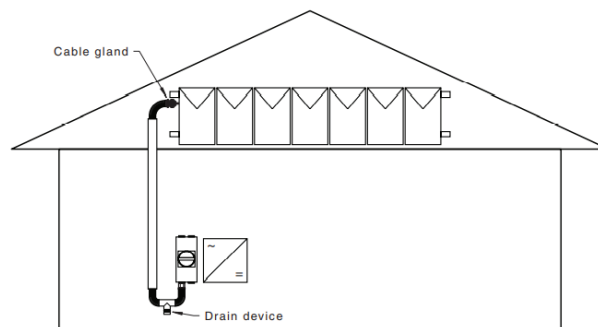
- Aluminium

Flow rate:

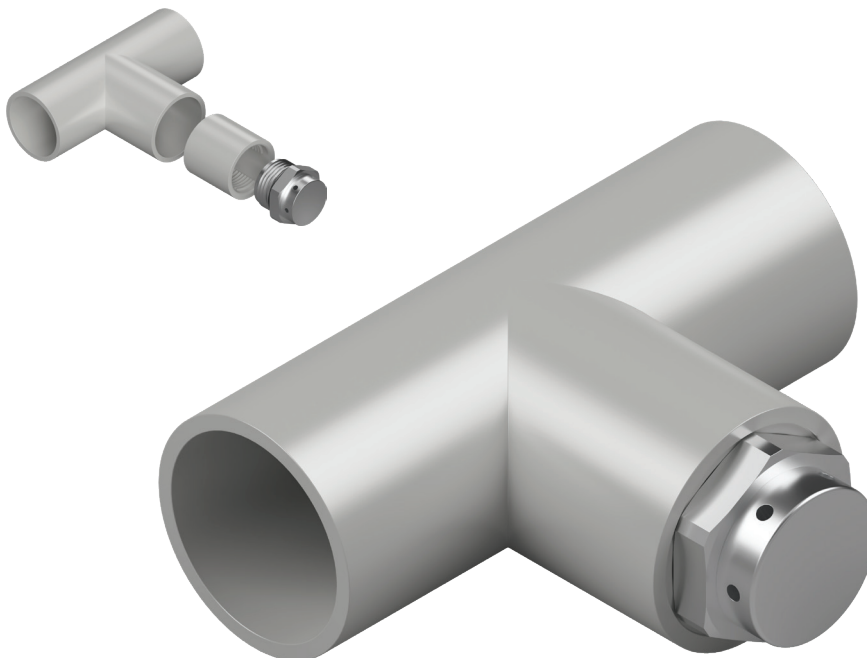
- Approx 14.5ml/min



Example of a device to drain liquid from a conduit system (side entry/exist)



Example of a device to drain liquid from a conduit system (bottom entry/exist)



DRAIN TEE - SOLAR APPLICATIONS

Code	Description	Packing	MOQ	Ctn
TEE-25G/DR	Drain Tee - 25mm - Grey	20	20	400