



# GREEN'UP™ PREMIUM

SAFE AND  
CONNECTED  
CAR CHARGING  
SOLUTIONS



THE GLOBAL SPECIALIST  
IN ELECTRICAL AND DIGITAL BUILDING INFRASTRUCTURES



# GREEN'UP™ PREMIUM PLASTIC

EV CHARGERS FOR  
INDOOR SPACES

**SINGLE PHASE**  
3.7 and 7.4 kW  
**3 PHASE**  
11 and 22 kW

Multiple power options



Water resistant and  
shock proof



Dedicated  
charging mode



One charging point



# GREEN'UP™ PREMIUM METAL

EV CHARGERS FOR INDOOR  
AND OUTDOOR SPACES

**SINGLE PHASE**  
3.7 and 7.4 kW  
**3 PHASE**  
11 and 22 kW

Multiple power options



Water resistant and  
shock proof



Dedicated  
charging mode



One or two charging points



# IDEAL SOLUTION FOR RESIDENTIAL AND COMMERCIAL APPLICATIONS

Green'up chargers can charge compatible type 2 electric cars safely and efficiently in both residential and commercial applications. These include; Corporate office carparks, shopping centres, hotels, universities, garages, apartment carparks and undercover car ports.



GREEN'UP™  
PREMIUM

# GREEN'UP™ PREMIUM PLASTIC

EV CHARGERS FOR INDOOR SPACES

FOR MORE INFORMATION VISIT [LEGRAND.COM.AU](http://LEGRAND.COM.AU)



SINGLE PHASE		3 PHASE
mode 3		mode 3
3.7 - 4.6 kW 16 A / 20 A	3.7 - 7.4 kW <sup>(1)</sup> 16 A / 32 A	11 - 22 kW <sup>(1)</sup> 16 A / 32 A

## GREEN'UP CHARGERS PREMIUM PLASTIC WITH INTEGRATED 6MA DC PROTECTION

Number of charging points	1	1	1
Wall mount chargers	058000	058001	058002
Wall mount chargers with integrated communication kit and RFID	059005	059006	059007
Standalone communication kit (compatible with all Legrand EV chargers)	059056	059056	059056
Free standing accessories (compatible with all Legrand EV chargers)	059052	059052	059052

## MANAGEMENT AND SUPERVISION

EV CHARGER light	Compatible: Integrated Bluetooth function		
Integrated web page with communication kit	Compatible		
	For 10 entries max [2] - 414947 + 146721		
Web server management (for chargers with communication kit)	For 32 entries max [2] - 414948 + 146721		
	For 255 entries max [2] - 414949		
Charging point operator (for chargers with communication kit)	Compatible with OCPP 1.6 J Protocol		

## ENERGY CONSUMPTION MONITORING

EMDX3 Energy meter	412083	412083	412093
EMDX3 multifunction energy meter	412051	412051	412041

[1] Every charger can be setup with four different ratings [see details page 6].  
[2] Spare MODBUS IP address for EMDX3 multifunction meter 412051 [see wiring diagram page 6].

# GREEN'UP™ PREMIUM METAL

EV CHARGERS FOR INDOOR AND OUTDOOR SPACES

FOR MORE INFORMATION VISIT [LEGRAND.COM.AU](http://LEGRAND.COM.AU)



SINGLE PHASE		3 PHASE
mode 3		mode 3
3.7 - 7.4 kW <sup>(1)</sup> 16 A / 32 A		11 - 22 kW <sup>(1)</sup> 16 A / 32 A

## GREEN'UP PREMIUM METAL CHARGERS WITH INTEGRATED 6MA DC PROTECTION

Number of charging points	1	2	1	2
Chargers to be equipped with mounting accessories	058043	058044	058048	058049
Wall mount accessory	059053	059053	059053	059053
Free standing accessory	059054	059054	059054	059054
Standalone communication kit (compatible with all Legrand EV chargers)	059056	059056	059056	059056
RFID reader accessory	059059	059059	059059	059059

## MANAGEMENT AND SUPERVISION

EV CHARGER light	Compatible: Integrated Bluetooth function			
Standalone communication kit (compatible with all Legrand EV chargers)	Compatible			
	For 10 entries max [2] - 414947 + 146721			
Standalone communication kit (compatible with all Legrand EV chargers)	For 32 entries max [2] - 414948 + 146721			
	For 255 entries max [2] - 414949			
Charging point operator (for chargers with communication kit)	Compatible with OCPP 1.6 J Protocol			

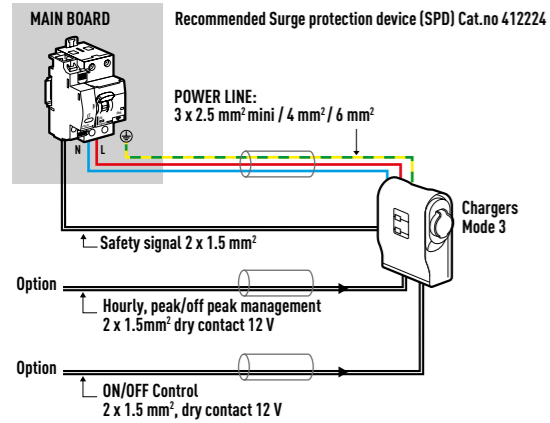
## ENERGY CONSUMPTION MONITORING

EMDX3 Energy meter	412083	2 x 412083	412093	2 x 412093
EMDX3 multifunction energy meter	412051	412051	412041	412041

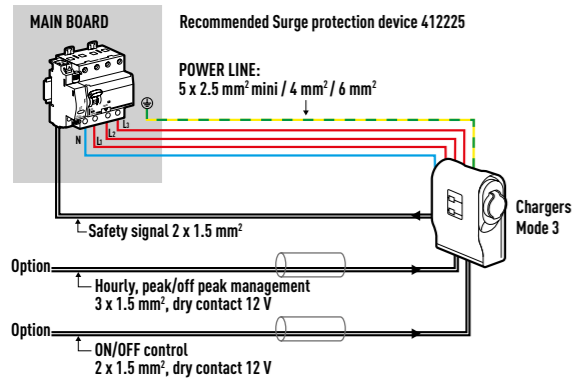
[1] Every charger can be setup with four different ratings [see details page 6].  
[2] Spare MODBUS IP address for EMDX3 multifunction meter 412051 [see wiring diagram page 6].

# GREEN'UP™ PREMIUM PLASTIC

SINGLE PHASE	058001 / 059006			
	058000 / 059005			
Charging power	3.7 kW	4.6 kW	5.8 kW	7.4 kW
Charger rating	16 A	20 A	25 A	32 A
<b>POWER LINE</b>				
Protection rating (power line)	20 A C curve	25 A C curve	32 A C curve	40 A C curve
RCBO 30mA Type A	418894 (6kA)	418895 (6kA)	418896 (6kA)	411054 (6kA)
Minimum conductor section	2.5 mm <sup>2</sup>	4 mm <sup>2</sup>	4 mm <sup>2</sup>	6 mm <sup>2</sup>
Shunt trip / safety signal	406276	406276	406276	406276

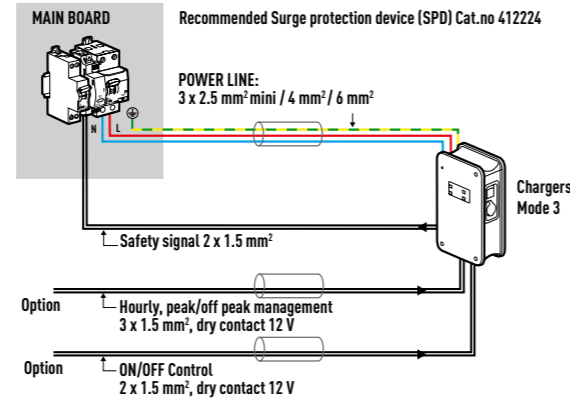


3 PHASE	058002 / 059007			
	Charging power	11 kW	15 kW	18 kW
Charger rating	16 A	20 A	25 A	32 A
<b>POWER LINE</b>				
Protection rating (power line)	20 A C curve	25 A C curve	32 A C curve	40 A C curve
RCBO 30mA Type A	418894 (6kA)	418895 (6kA)	418896 (6kA)	411054 (6kA)
Minimum conductor section	2.5 mm <sup>2</sup>	4 mm <sup>2</sup>	4 mm <sup>2</sup>	6 mm <sup>2</sup>
Shunt trip / safety signal	406276	406276	406276	406276

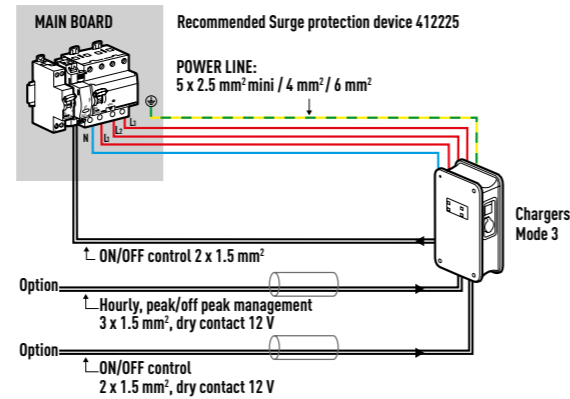


# GREEN'UP™ PREMIUM METAL

SINGLE PHASE	058043 / 058044			
	Charging power	3.7 kW	4.6 kW	5.8 kW
Charger rating	16 A	20 A	25 A	32 A
<b>POWER LINE</b>				
Protection rating (power line)	20 A C curve	25 A C curve	32 A C curve	40 A C curve
RCBO 30mA Type A	418894 (6kA)	418895 (6kA)	418896 (6kA)	411054 (6kA)
Minimum conductor section	2.5 mm <sup>2</sup>	4 mm <sup>2</sup>	4 mm <sup>2</sup>	6 mm <sup>2</sup>
Shunt trip / safety signal	406276	406276	406276	406276



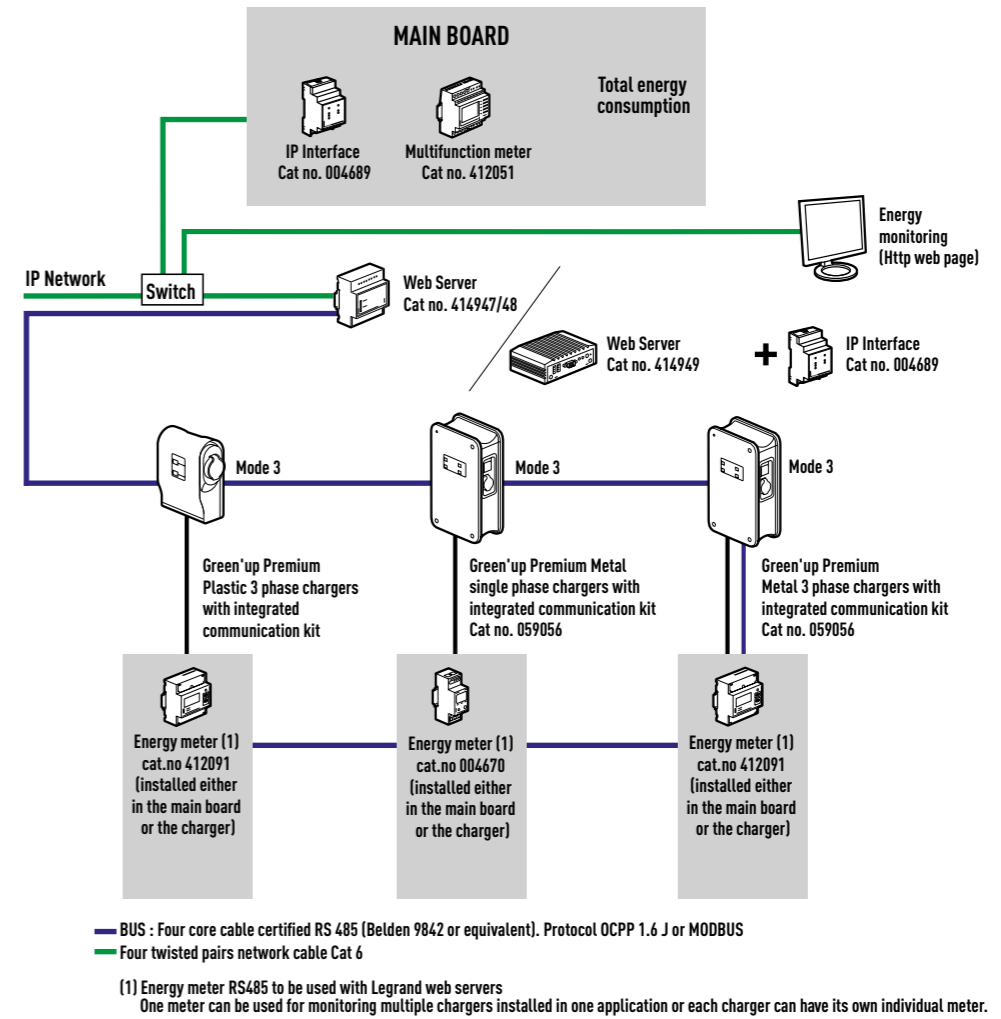
3 PHASE	058048 / 058049			
	Charging power	11 kW	15 kW	18 kW
Charger rating	16 A	20 A	25 A	32 A
<b>POWER LINE</b>				
Protection rating (power line)	20 A C curve	25 A C curve	32 A C curve	40 A C curve
RCBO 30mA Type A	411235 (6kA)	411236 (6kA)	411237 (6kA)	411765+ (6kA)
Minimum conductor section	2.5 mm <sup>2</sup>	4 mm <sup>2</sup>	4 mm <sup>2</sup>	6 mm <sup>2</sup>
Shunt trip / safety signal	406276	406276	406276	406276



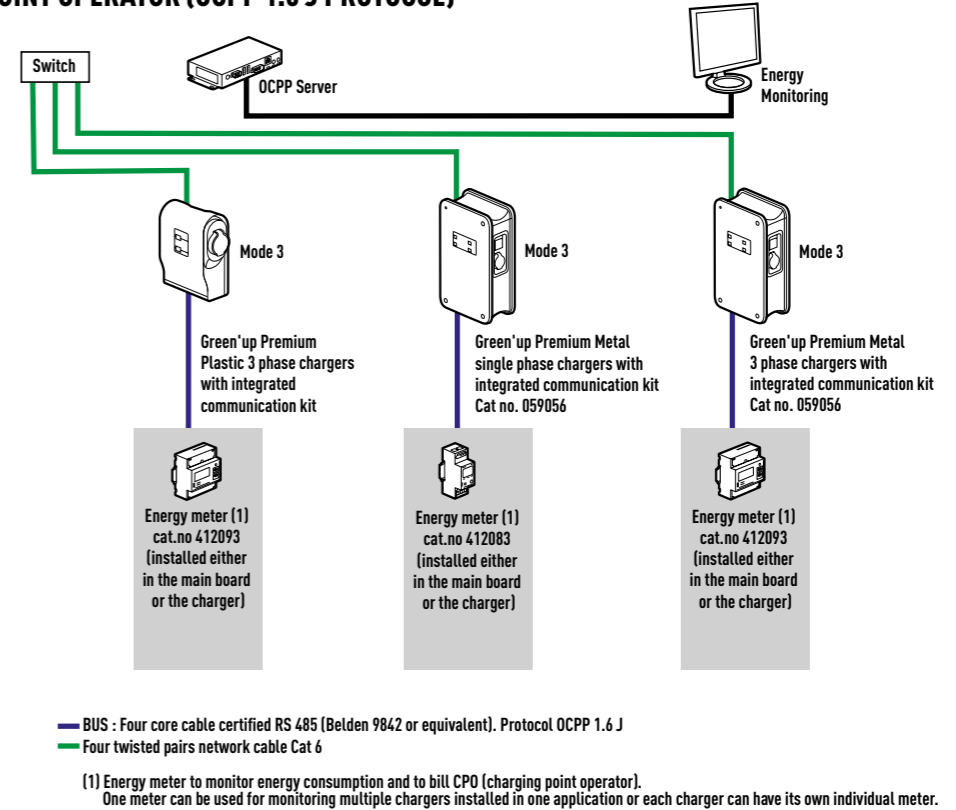
# NETWORK AND COMMUNICATION SET UP

SUPERVISION AND ENERGY MONITORING CONSUMPTION OF MULTIPLE GREEN'UP PREMIUM PLASTIC / GREEN'UP PREMIUM METAL

## WITH LEGRAND WEB SERVER 414947/48/49



## WITH CHARGING POINT OPERATOR (OCPP 1.6 J PROTOCOL)





**Legrand Australia**

Building 4, Nexus Industry Park  
43-47 Lyn Parade, Prestons NSW 2170  
Tel.: 1300 369 777  
[www.legrand.com.au](http://www.legrand.com.au)

**Legrand New Zealand**

106-124 Target Road  
Glenfield, Auckland 0627  
Tel.: 0800 476 009  
[www.legrand.co.nz](http://www.legrand.co.nz)