




Wanda

The Wanda is a traditional style wide-body LED exit with a detachable base plate designed specifically for retrofitting exits on existing sites. Available in wall or ceiling mount depending on the diffuser used.






Features

-  24m Viewing Distance
-  Rectangular Exit / Triangular Exit
-  LiFePO₄ Lithium Battery

Accessories

- PIC-WM-WANDA [Wall Mount Diffuser]
- PIC-CM-WANDA [Ceiling Mount Diffuser]

			
ORDER CODE	WANDA-EM WANDA-EM-CM WANDA-EM-WM	WANDA-ST WANDA-ST-CM WANDA-ST-WM	WANDA-LR WANDA-LR-CM WANDA-LR-WM
WARRANTY	3 Years	5 Years	5 Years
TRADITIONAL DROP TEST	✓	✓	✓
APP SCHEDULED TESTING		✓	✓
REMOTE SCHEDULED TESTING			✓



Download the Elumen app



Device Specifications

OPERATIONAL INFORMATION

VOLTAGE	220 - 240VAC
FREQUENCY	50Hz
CRI	80
POWER CONSUMPTION	6W max 3.6W standby
AMBIENT TEMPERATURE	1°C - 40°C
IP RATING	IP20
MOUNTING TYPE	Surface Mount
OPERATING MODE	Maintained
PROJECTED LED LIGHT SOURCE LIFE	100,000 hours

CONSTRUCTION, DIMENSIONS AND WEIGHT

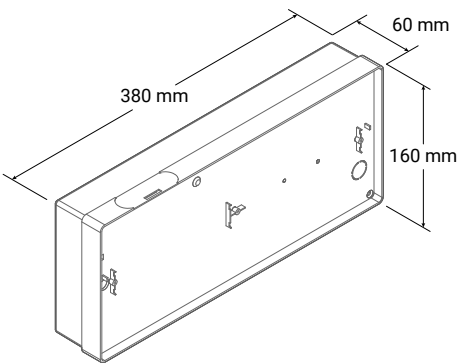
CONSTRUCTION	Polycarbonate
WEIGHT	1.1kg

COMPLIANCE AND TESTING

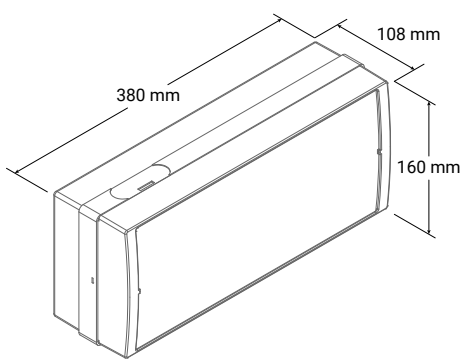
STANDARDS	AS/NZS 2293.3 AS/NZS 60598.2.2 AS/NZS CISPR 15
EMERGENCY CLASSIFICATION	Ceiling Mount - C0:D12.5, C90:D12.5 Wall Mount - C0:D12.5, C90:D10

CARTON DETAILS	WANDA BASE	WANDA WALL MOUNT	WANDA CEILING MOUNT
QUANTITY	8	8	8
DIMENSIONS	410mm x 350mm x 305mm	405mm x 350mm x 245mm	685mm x 375mm x 400mm
WEIGHT	9.1kg	5kg	5kg

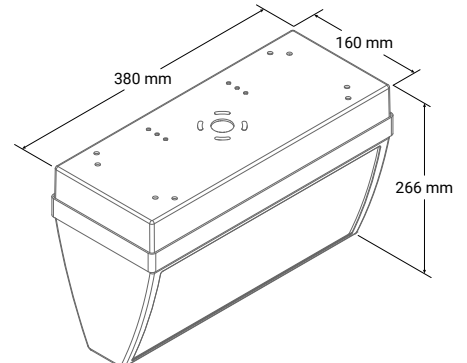
Product Drawing



WANDA BASE



WANDA WALL MOUNT



WANDA CEILING MOUNT