



# PRESTON 48in HUGGER DC CEILING FAN



- 48**  
INCH  
1220mm
- 30W**  
DC  
MOTOR
- 20°**  
BLADE  
PITCH
- 10100**  
m<sup>3</sup>/hr  
AIRFLOW
- ABS**  
BLADES
- 6YR**  
WARRANTY

Remote control  
Included

**A low-profile design, with clean, modern look makes the Preston an ideal ceiling fan for homes & apartments with lower ceiling heights. Featuring a powerful DC motor paired with an aerodynamic blade design, this hugger style fan can provide comfortable and effective airflow all year round.**

- High strength, corrosion proof and easy clean ABS blades
- The Windbreeze mode varies the fan speed to simulate a natural breeze effect.
- 6 speed remote control with timer included.
- Reversible All-Seasons technology for use all year round
- Powerful 30W DC motor
- Uses Brilliant's Quick Connect Plug System to reduce install time

## APPLICATIONS

- Ideal for lower ceilings
- Bedrooms, lounge and family rooms
- Indoors or enclosed alfresco areas not exposed to the weather



MATT WHITE



MATT BLACK



# PRESTON 48in HUGGER DC CEILING FAN

## TECHNICAL SPECIFICATIONS

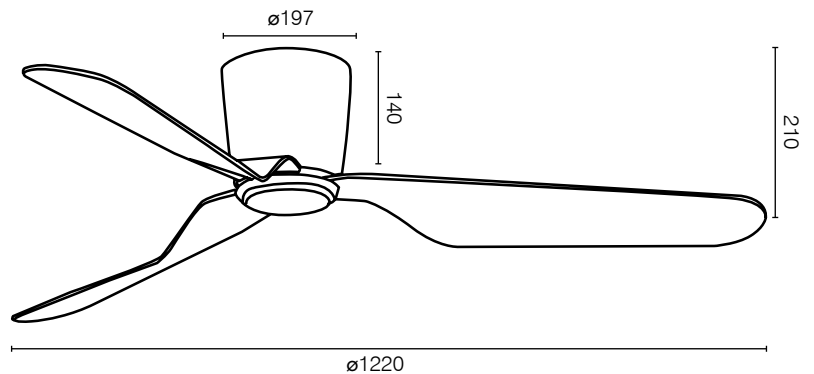
<b>Size</b>	48 inch (1220mm)
<b>Motor Type</b>	DC (Direct Current)
<b>Operating Voltage</b>	220-240V / 50Hz
<b>Motor Wattage</b>	30W
<b>Construction</b>	Metal body
<b>Blade Material</b>	Moulded ABS (x3)
<b>Ceiling install</b>	Flat mount only
<b>Blade Pitch</b>	20 degrees
<b>Ceiling Rake</b>	Flat mount only
<b>Other models available</b>	22089: 48-inch with light
<b>Control</b>	Remote 6-speed with reverse and windbreeze functions
<b>Warranty</b>	3 year in-home plus 3 year replacement (6-Year) <i>*Limited warranty for wall controller, remote controller and light. Refer to warranty card inside the box for more details.</i>



## INSTALLATION

Must be installed by a licensed electrician

## AIR MOVEMENT

SPEED	1	2	3	4	5	6
RPM	100	120	140	160	180	200
Power	4W	6W	9W	12W	19W	30W
Airflow	4200m <sup>3</sup> /h	5300m <sup>3</sup> /h	6400m <sup>3</sup> /h	7500m <sup>3</sup> /h	8600m <sup>3</sup> /h	10100m <sup>3</sup> /h



	MODEL	COLOUR	DESCRIPTION	BOX SIZE	GROSS WEIGHT	BOX QTY	BARCODE/TUN
<b>RETAIL BOX</b>	22087/05	Matt White	Preston-48 Hugger Fan	W717 x H305 x D282 mm	4.8 kg	1 pc	 >
<b>RETAIL BOX</b>	22087/06	Matt Black	Preston-48 Hugger Fan	W717 x H305 x D282 mm	4.8 kg	1 pc	 >