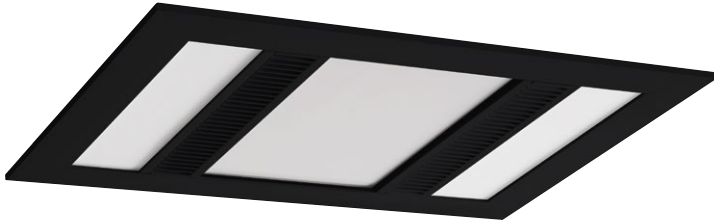


60W 3-IN-1 BATHROOM HEATER

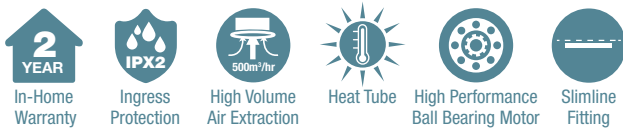


Model Numbers

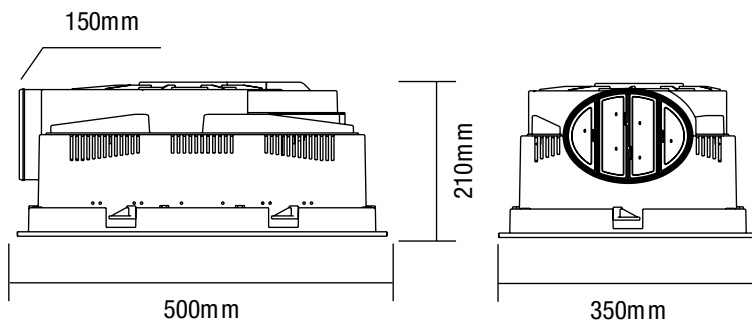
MBHP1000M
MBHP1000W

Features

- 2 year in-home warranty
- Sleek and low profile designed to suit any small to medium bathroom application
- 3-in-1 bathroom heater features tricolour LED panel with heat tube
- Polypropylene (PP) housing, aluminium fascia with frosted white Schott glass
- Built in thermal overload protection
- Back draft stopper included
- Cut-out template included
- Compatible with Martec bathroom remote MBHREM (not included)



DIMENSIONS



60W 3-IN-1 BATHROOM HEATER

PACKAGING



SPECIFICATIONS

Model Name	Phoenix
Model Numbers	MBHP1000M Black MBHP1000W White
Air Movement m³/hr	500m ³ /hr
Exhaust Fan Wattage	60W
Voltage	220-240V 50Hz
Materials / Housing	Plastic housing
Cutout Size	475 x 325mm
Decibel Rating	≤45dB
Heating Wattage / Type	1 x 1000W R7s heat tube
Lighting Wattage / Type	20W LED
Colour Temperature	3000K / 4000K / 5000K
Lumens Output	1585lm / 1695lm / 1585lm
Minimum Ceiling Depth	220mm
Ducting Size	150mm
Accessories Included	1x 1.5m duct 2x clips for ducting 1x external grille 1x 3 gang switch wall controller

INSTALLATION

Installation	By licensed electrician only
Warranty	2 year in-home warranty

*For further information regarding warranty terms and conditions, please refer to enclosed warranty statement.
Warranty is void unless installed by a licensed electrician.

SHIPPING

Packaging Size	255mm(H) x 420(W) x 640(L)mm (MBHP1000M) 255mm(H) x 420(W) x 640(L)mm (MBHP1000W)
Carton Quantity	2
Gross Weight	10Kg (MBHP1000M) 10Kg (MBHP1000W)

AVAILABLE COLOURS



Model	Colour	Barcode
MBHP1000M	Black	9 312375 506959
MBHP1000W	White	9 312375 506942