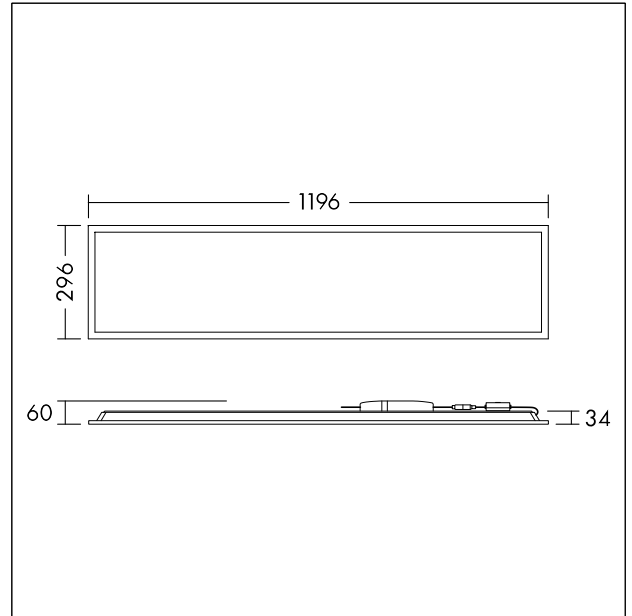


LED Panel

Recessed back-lit LED panel. Switchable light colour: choose between warm white (3000 K), cool white (4000 K) or daylight (5700 K) to suit the application. Lightweight design with low installation depth. Opal diffuser for fully homogeneous illumination. IP44 from below for hassle-free cleaning. Replaces conventional luminaires with 2 x 36W T8 and offers more than 40% energy saving. Ideal solution for any refurbishment job. Supplied with 2 pin flex & plug (1.2m length). Suitable for recessed mounting in T-bar ceiling grids. Frame: Aluminium, white finish (RAL 9003) Diffuser: high uniformity PS diffuser. Weight: 2.6 kg



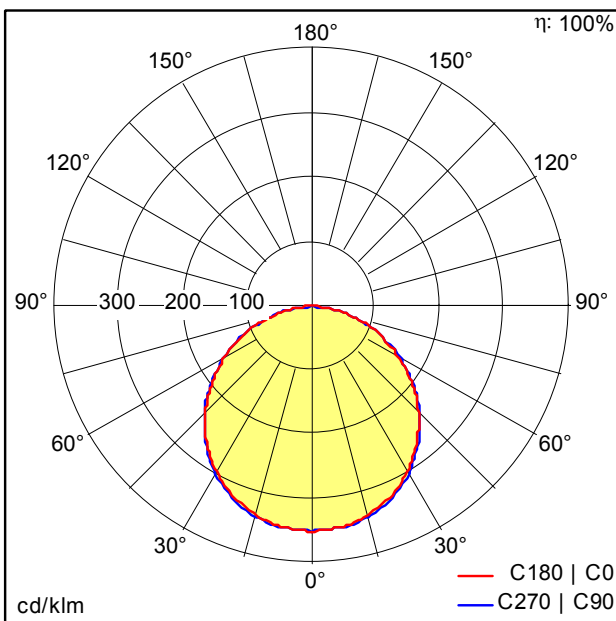
TE\_RUBYVARIO\_F\_1200X300\_TC\_Persp.jpg



TE\_RUBYVARIO\_M\_1200X300\_TC.wmf

Light Distribution

STD - standard



96650509\_RUBY\_VAR\_1200X300\_TC\_840.ltd

- Light Source: LED
- Luminaire luminous flux\*: 3205 lm
- Luminaire efficacy\*: 114 lm/W
- Colour Rendering Index min.: 80
- Correlated colour temperature\*: 3000-5700 Kelvin
- Chromaticity tolerance (initial MacAdam): 5
- Rated median useful life\*: L80 50000h at 25°C
- Ballast: 1x LED\_Con
- Luminaire input power\*: 28 W Power factor = 0.9
- Dimming: Fixed output
- Wartungskategorie CIE 97: D - Enclosed IP2X

All values marked with an \* are rated values. Luminous flux and connected electrical load are subject to an initial tolerance of +/- 10%. Unless stated otherwise, the values apply to an ambient temperature of 25°C.