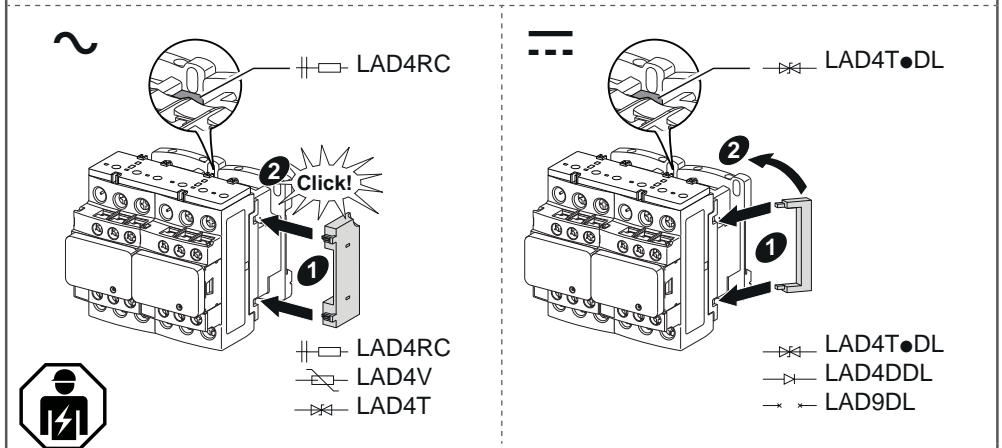
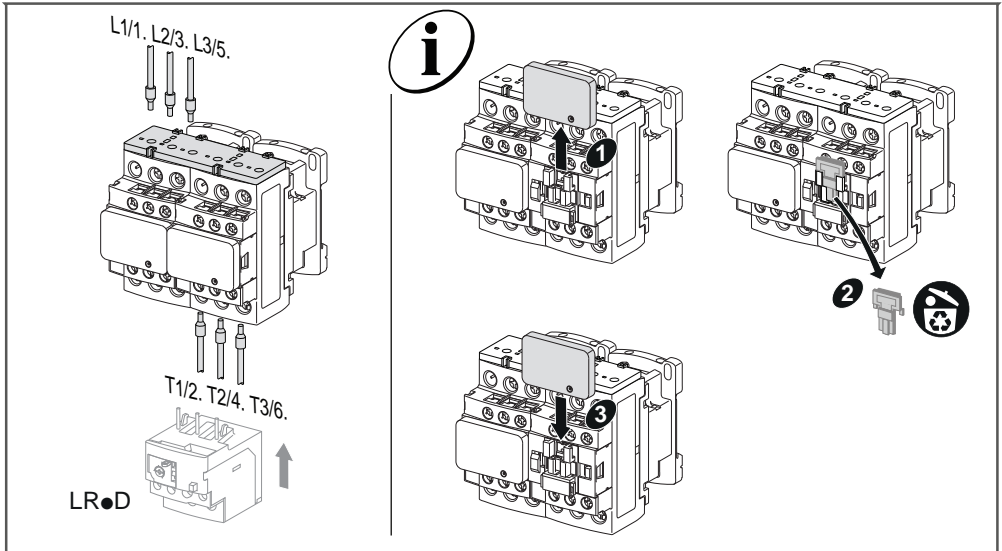


LC2D●● T02AN23 / T02BN23 / T02CN23



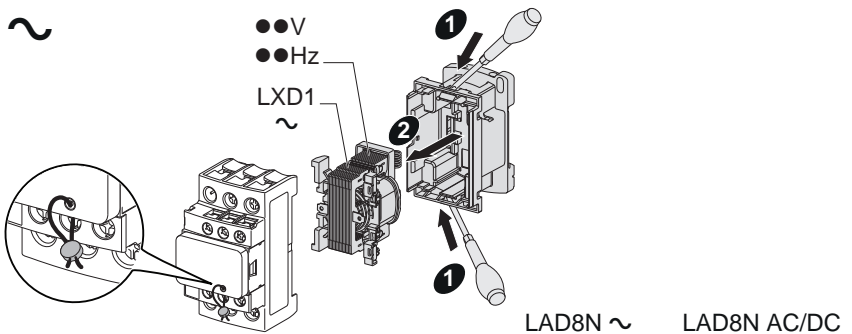
W903819410141



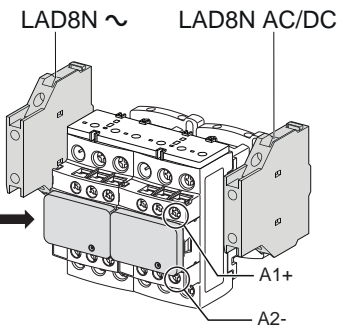
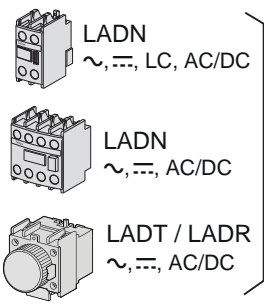
⚠ ⚠ DANGER / 危险

HAZARD OF ELECTRIC SHOCK, EXPLOSION, OR ARC FLASH
Disconnect all power before servicing equipment.
Failure to follow these instructions will result in death or serious injury.

可能有触电、爆炸或者电弧灼伤的危險
在此电力设备上进行操作时，请先断开所有电源。
不遵循上述规定将可能导致人员伤亡。



~ = Alternating Current Coil
 --- = Direct Current Coil
 LC= Direct 100 mA Current Coil
 AC/DC= Alternating and Direct Current Coil



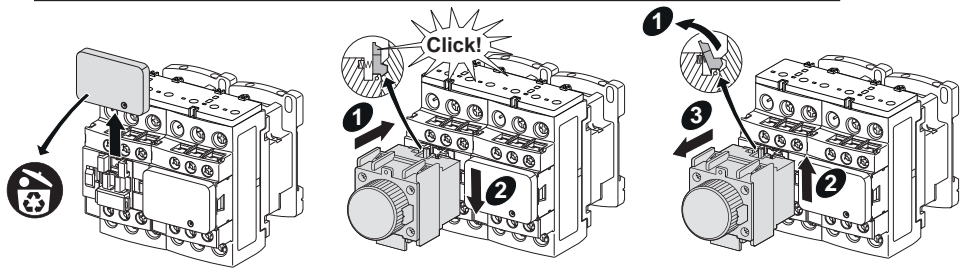
AC/DC:

- Use of this product in EMC environment B may require mitigation measures to avoid unwanted disturbance.
- Full open AC at 10%Us.

AC/DC:

- 在EMC环境B中使用此产品可能需要采取缓解措施以避免不必要的干扰。
- 交流情况需在10%Us下完全释放。

« For motor starting use Schneider Electric TeSys Protect - Deca overload relays »
 “电动机启动请使用施耐德电气TeSys保护Deca系列热过载继电器”



LAD6K / LADN / LADT / LADR

Schneider Electric Industries SAS
 35, rue Joseph Monier - CS 30323
 F - 92506 Rueil Malmaison Cedex
www.se.com/contact

Schneider Electric Limited
 Stafford Park 5
 Telford, TF3 3BL
 United Kingdom
www.se.com/uk

