



Main

Product or component type	Sinus filter
Range compatibility	Altivar Process ATV600 Altivar Process ATV900
Product specific application	Output filter
[In] rated current	115 A
Thermal losses	850 W, 115 °C
Product compatibility	ATV630 variable speed drive wall mount - 75 kW, 500...690 V three phase ATV630 variable speed drive wall mount - 90 kW, 500...690 V three phase ATV930 variable speed drive wall mount - 75 kW, 500...690 V three phase ATV930 variable speed drive wall mount - 90 kW, 500...690 V three phase ATV630 variable speed drive wall mount, 100 hp, 600 V three phase ATV930 variable speed drive wall mount, 100 hp, 600 V three phase
Switching frequency	2 kHz
Maximum output frequency	70 Hz
Maximum permissible voltage	690 V AC

Complementary

Electrical connection	Terminal
Max current	1.5 x nominal current (duration = 60 s)
Net weight	106 kg

Environment

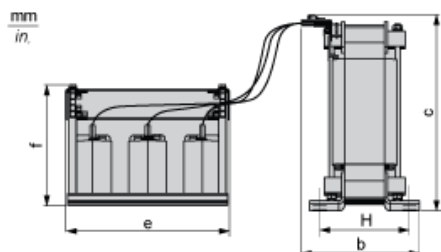
IP degree of protection	IP00
Pollution degree	2 conforming to EN 50178
Vibration resistance	1 gn (f= 13...200 Hz) conforming to IEC 60068-2 1.5 mm peak to peak (f= 3...13 Hz) conforming to IEC 60068-2
Shock resistance	15 gn for 11 ms conforming to IEC 60068-2-27
Relative humidity	0...95 %
Ambient air temperature for operation	-10...45 °C
Ambient air temperature for storage	-40...65 °C
Operating altitude	<= 1000 m without current derating 1000...3000 m with current derating 1 % per 100 m
Standards	UL 508

Packing Units

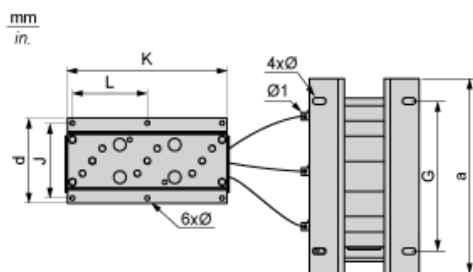
Unit Type of Package 1	PCE
Number of Units in Package 1	1
Package 1 Weight	140.0 kg
Package 1 Height	75 cm
Package 1 width	61.6 cm
Package 1 Length	71.6 cm

Dimensions

Front View



Top View



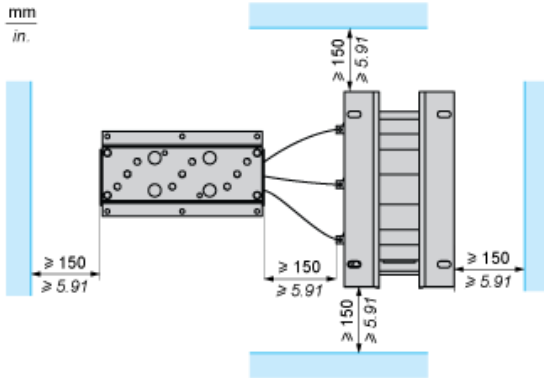
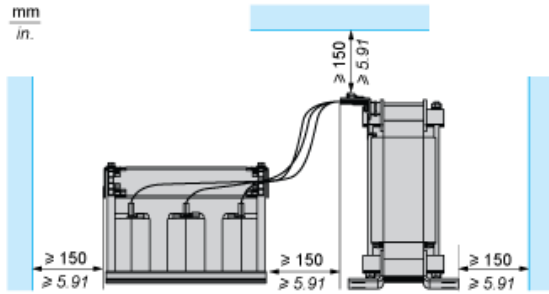
Dimensions in mm

a	b	c	G	H	4Ø	Ø1	d	e	f	J	K	L	6Ø
465	275	425	430	180	13 x 27	9	170	240	330	150	300	150	9

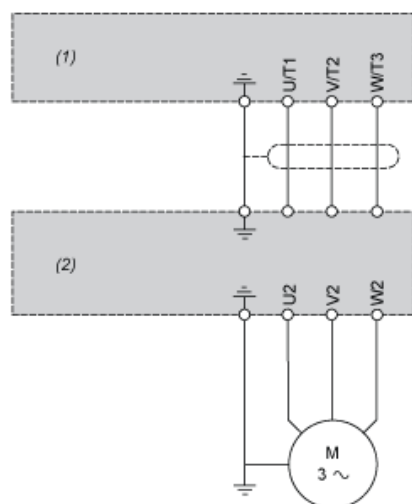
Dimensions in in.

a	b	c	G	H	4Ø	Ø1	d	e	f	J	K	L	6Ø
18.30	10.83	16.73	16.93	7.09	0.51 x 1.06	0.35	6.69	9.45	12.99	5.91	11.81	5.91	0.35

Mounting Recommendations



Recommended Schema



- (1) Drive
- (2) Filter