

Main

Product or component type	Sinus filter
Range compatibility	Altivar Process ATV900 Altivar Process ATV600
Product specific application	Output filter
[In] rated current	28 A
Thermal losses	280 W, 115 °C
Product compatibility	ATV630 variable speed drive wall mount - 11 kW, 500...690 V three phase ATV630 variable speed drive wall mount - 15 kW, 500...690 V three phase ATV630 variable speed drive wall mount - 18.5 kW, 500...690 V three phase ATV630 variable speed drive wall mount - 22 kW, 500...690 V three phase ATV930 variable speed drive wall mount - 11 kW, 500...690 V three phase ATV930 variable speed drive wall mount - 15 kW, 500...690 V three phase ATV930 variable speed drive wall mount - 18.5 kW, 500...690 V three phase ATV930 variable speed drive wall mount - 22 kW, 500...690 V three phase ATV630 variable speed drive wall mount, 15 hp, 600 V three phase ATV630 variable speed drive wall mount, 20 hp, 600 V three phase ATV630 variable speed drive wall mount, 25 hp, 600 V three phase ATV630 variable speed drive wall mount, 30 hp, 600 V three phase ATV930 variable speed drive wall mount, 15 hp, 600 V three phase ATV930 variable speed drive wall mount, 20 hp, 600 V three phase ATV930 variable speed drive wall mount, 25 hp, 600 V three phase ATV930 variable speed drive wall mount, 30 hp, 600 V three phase
Switching frequency	2 kHz
Maximum output frequency	70 Hz
Maximum permissible voltage	690 V AC

Complementary

Electrical connection	Terminal
Max current	1.5 x nominal current (duration = 60 s)
Net weight	25.4 kg

Environment

IP degree of protection	IP00
Pollution degree	2 conforming to EN 50178
Vibration resistance	1 gn (f= 13...200 Hz) conforming to IEC 60068-2 1.5 mm peak to peak (f= 3...13 Hz) conforming to IEC 60068-2
Shock resistance	15 gn for 11 ms conforming to IEC 60068-2-27
Relative humidity	0...95 %

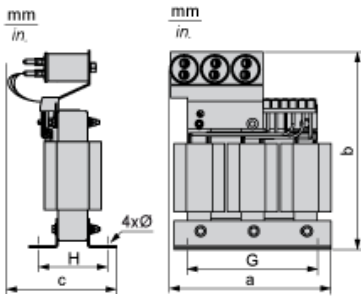
Ambient air temperature for operation	-10...45 °C
Ambient air temperature for storage	-40...65 °C
Operating altitude	<= 1000 m without current derating 1000...3000 m with current derating 1 % per 100 m
Standards	UL 508

Packing Units

Unit Type of Package 1	PCE
Number of Units in Package 1	1
Package 1 Weight	34.0 kg
Package 1 Height	32 cm
Package 1 width	42 cm
Package 1 Length	55 cm

Dimensions

Right and Front Views



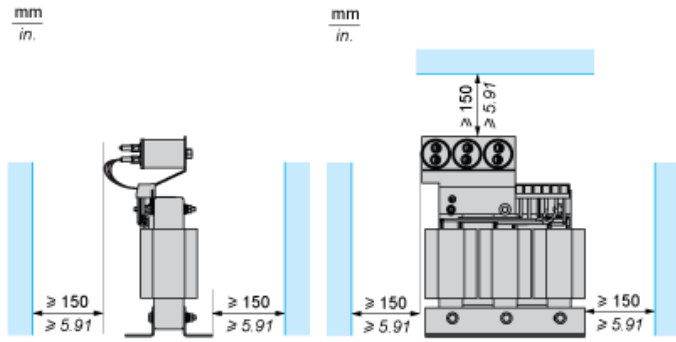
Dimensions in mm

a	b	c	G	H	4Ø
175	375	165	175	108	8 x 12

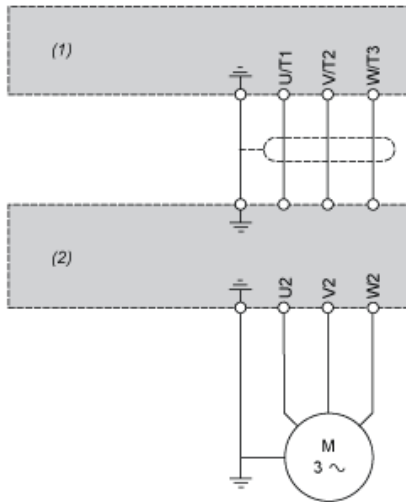
Dimensions in in.

a	b	c	G	H	4Ø
6.89	14.76	6.50	6.89	4.25	0.31 x 0.47

Mounting Recommendations



Recommended Schema



- (1) Drive
- (2) Filter