

Product Code Cross Reference

NEW CODE	OLD CODE
BUSO215P32	
BUSO310	BUPP310
BUSO310L	
BUSO315	BUPP315
BUSO320F	
BUSO320	BUPP320
BUSO332	BUPP332
BUSO410	BUPP410
BUSO420	BUPP420
BUSO432	BUPP432
BUSO440	
BUSO450	
BUSO510	BUPP510
BUSO520	BUPP520
BUSO532	BUPP532
BUSO540	
BUSO550	
BUSO215P32LE	
BUSO310LE	BUPP310LE
BUSO310LLE	
BUSO310RPLE	
BUSO315LE	BUPP315LE
BUSO320FLE	
BUSO320LE	BUPP320LE
BUSO332LE	BUPP332LE
BUSO410LE	BUPP410LE
BUSO420LE	BUPP420LE
BUSO432LE	
BUSO440LE	
BUSO450LE	
BUSO510LE	BUPP510LE
BUSO520LE	BUPP520LE
BUSO532LE	BUPP532LE
BUSO540LE	
BUSO550LE	

IP66 Heavy Duty Sockets

The Socket components used in Buffalo Combinations are also available as individual Socket Outlets for use in relevant applications.

They are robust and easy to use, and have a one piece spring-loaded transparent flap with self-latching design to seal out dust and moisture when not in use, ensuring an IP66 rating.

Flap's spring-loaded pin is centrally assembled eliminating the need to insert external cover caps. Flap opens up to 180° enabling easy insertion & removal of plugs.

Threaded socket surround will accept Plug lock rings to ensure IP66 rating & secure fitment.

The range includes three, four, and five pin products in amperages from 10A up to 50A. See the table for product detail.

Small Single phase Flat pin - 10A to 20A
Size 1 Single & Three Phase - 10A- 20A
Size 2 Single & Three Phase - 32A - 50A



Pin & Volt	Cat No.	Current Rating (A)	Pin Config	Pin Config Code (Table 1)	Enclosure	Minimum Conductor Size (mm ²)	Maximum Conductor Size (mm ²)	Buffalo Matching Plug
2 Pin 32V~	BUSO215P32	15	2 Pin Polarised	D	BUBB1G	2.5	6	-
3 Pin 250V~	BUSO310	10	3 Flat	A	BUBB1G	1.5	6	BUP310
	BUSO310L	10	2 Flat 1 Round	C	BUBB1G	1.5	6	BUP310L
	BUSO315	15	3 Flat	B	BUBB1G	2.5	6	BUP315
	BUSO320F	20	3 Flat	E	BUBB1G	2.5	6	BUP320F
	BUSO320	20	3 Round	G	BUBB1G	2.5	6	BUP320/BUPA320
	BUSO332	32	3 Round	H	BUBB1G	6	16	BUP332/BUPA332
4 Pin 500V~	BUSO410	10	4 Round	I	BUBB1G	2.5	6	BUP410/BUPA410
	BUSO420	20	4 Round	J	BUBB1G	2.5	6	BUP420/BUPA420
	BUSO432	32	4 Round	K	BUBB1G	6	16	BUP432/BUPA432
	BUSO440	40	4 Round	L	BUBB1G	6	16	BUP440/BUPA440
	BUSO450	50	4 Round	M	BUBB1G	6	16	BUP450/BUPA450
5 Pin 500V~	BUSO510	10	5 Round	N	BUBB1G	2.5	6	BUP510/BUPA510
	BUSO520	20	5 Round	O	BUBB1G	2.5	6	BUP520/BUPA520
	BUSO532	32	5 Round	P	BUBB1G	6	16	BUP532/BUPA532
	BUSO540	40	5 Round	Q	BUBB1G	6	16	BUP540/BUPA540
	BUSO550	50	5 Round	R	BUBB1G	6	16	BUP550/BUPA550

Tables include NEW product codes. Please refer to Old & New Cross Reference Chart for OLD product codes.

When ordering LESS ENCLOSURE add "LE" at end of catalogue number, ie "BUSO310LE"

Certification Number:

BUSO410, BUSO420, BUSO432, BUSO440, BUSO450, BUSO510, BUSO520,
BUSO532, BUSO540, BUSO550 : AZ69025555
BUSO310, BUSO315, BUSO320F: SAA-212016-EA
BUSO320, BUSO332: AZ69025572

GSM Electrical (Australia) Pty Ltd

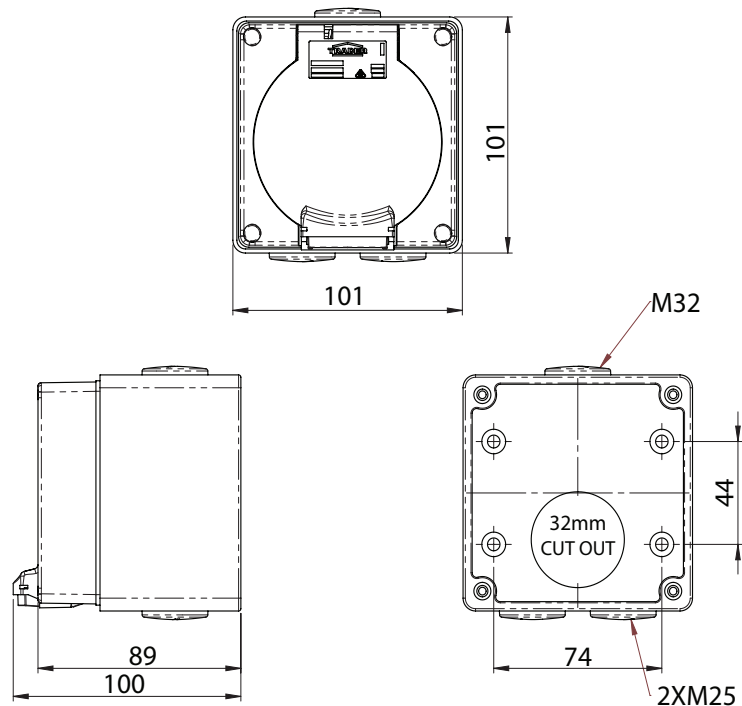
Level 2, 142-144 Fullarton Road, Rose Park SA 5067
www.gsme.com.au



Product Code Cross Reference

NEW CODE	OLD CODE
BUSO215P32	
BUSO310	BUPP310
BUSO310L	
BUSO315	BUPP315
BUSO320F	
BUSO320	BUPP320
BUSO332	BUPP332
BUSO410	BUPP410
BUSO420	BUPP420
BUSO432	BUPP432
BUSO440	
BUSO450	
BUSO510	BUPP510
BUSO520	BUPP520
BUSO532	BUPP532
BUSO540	
BUSO550	
BUSO215P32LE	
BUSO310LE	BUPP310LE
BUSO310LLE	
BUSO310RPLE	
BUSO315LE	BUPP315LE
BUSO320FLE	
BUSO320LE	BUPP320LE
BUSO332LE	BUPP332LE
BUSO410LE	BUPP410LE
BUSO420LE	BUPP420LE
BUSO432LE	
BUSO440LE	
BUSO450LE	
BUSO510LE	BUPP510LE
BUSO520LE	BUPP520LE
BUSO532LE	BUPP532LE
BUSO540LE	
BUSO550LE	

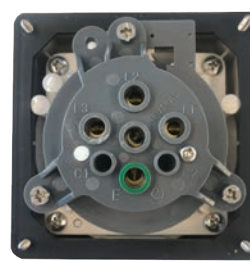
Heavy Duty Sockets Dimensional Drawings



Heavy Duty Socket Terminals



Small Single Phase
Flat pin
10A to 20A



Size 1
Single/Three Phase
10A - 20A



Size 2
Single/Three Phase
32A - 50A

PAGE 2 of 2

