



Wall Mounted Switch

# AIR CURTAINS

## SINGLE PHASE



Designed to maximise the efficiency of a building by creating an invisible door of air that helps to retain a room's heating and cooling. It also prevents dust, fumes, odours and flying insects from entering a building.

- Can reduce a building's running costs.
- Adjustable air deflection vents.
- High/Low 2-speed operation caters for peak and off-peak traffic requirements.
- Motors have built-in thermal overload protection.
- 230V, single-phase, 50Hz.
- Wall mounted switch included.
- Can be integrated into a Building Management System.

## SPECIFICATIONS

MODEL NO.	VOLTAGE/HZ	SPEED	CURRENT A	EFFECTIVE DOOR HEIGHT M	VEL M/SEC	FAN SPEED, RPM	AVG. dB(A) @ 3M	WATTS	WEIGHT (KG)
AC1209WS	230/50	High	1.2	4.0	18	2500	57	276	12.4
		Low	0.956	3.0	15	2150	54	220	12.4
AC1212WS	230/50	High	1.391	4.0	18	2500	58	320	13.6
		Low	1.217	3.0	15	2150	55	280	13.6
AC1215WS	230/50	High	1.896	4.0	14	2500	57	436	17.6
		Low	1.522	3.0	12.5	2150	54	350	17.6

## AIR VELOCITY & DOOR HEIGHT

Effective door height:

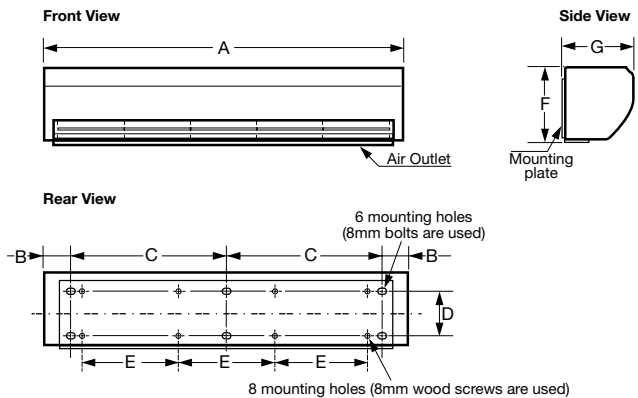
- High speed - up to 4.0m
- Low speed - up to 3.0m

**High Speed:** Suitable for medium to large doorways and entrances; ie. supermarkets and shopping centres.

**Low Speed:** Suitable for standard doorways; ie. shops, cafes and small food preparation areas.

Air Outlet	Low Speed m/s	High Speed m/s
1 metre	5	7
2 metre	2.7	4.5
3 metre	1.4	3.6
4 metre	1.3	2.9
5 metre	0.9	2.2

## DIMENSIONS



MODEL NO.	A	B	C	D	E	F	G
AC1209WS	900	50	400	113	249	230	214
AC1212WS	1200	200	400	113	249	230	214
AC1215WS	1500	350	400	113	249	230	214

All dimensions in mm

Please note that these Air Curtains are recommended for dry, clean air environments only. For industrial applications or technical data contact your local Fantech Trade Branch.