



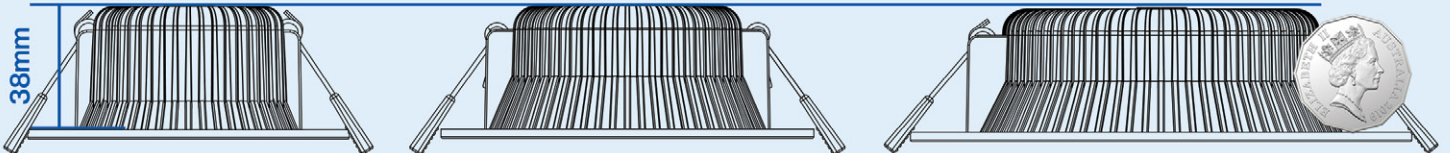
scan for more info



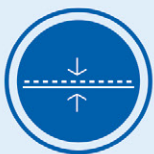
**MR7**

**MR8\***

**MR12**



**FITS UNDER**  
MAJORITY OF TRUSSES



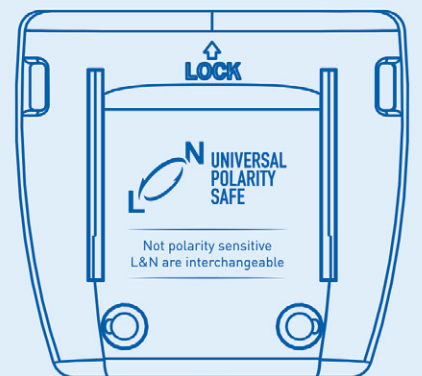
**SLIMMEST DOWNLIGHTS**  
WITH ON-BOARD DRIVER



**COMPATIBLE WITH**  
MAJOR DIMMERS

**RAPID**  
CONNECTOR

\*OPTION ALSO AVAILABLE



# MR Downlights

## 7W, 8W & 12W LED Dimmable



### Product information

The new MR downlight range features a low profile body to allow installation under trusses and frames while receiving an updated on-board driver with improved dimming capabilities.

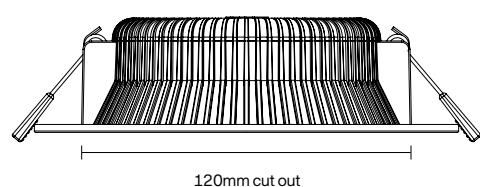
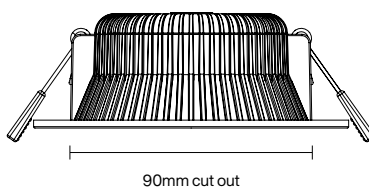
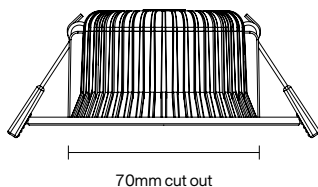
All MR downlights include an IC-4 rating which allows it to rest against, and be covered with, suitable insulation.

\*RAPID versions available



### TECHNICAL INFORMATION

|                     | ML-MR7-M   | ML-MR8-M                         | ML-MR12-M                          |
|---------------------|--|----------------------------------|------------------------------------|
| Total Power         | 7W*  | 8W*                              | 12W*                               |
| Lumen Output:       | WW 664lm   NW 733lm   W 693lm                                | WW 710lm   NW 792lm   W 737lm    | WW 1185lm   NW 1288lm   W 1234lm   |
| Colour Temp:        | WW 3000K NW 4000K W 5700K                                    |                                  |                                    |
| IP Rating:          | IP40 Back<br>IP54 Front                                      |                                  |                                    |
| CRI:                | 80+  |                                  |                                    |
| Efficacy:           | WW 95lm/W   NW 104lm/W   W 99lm/W                            | WW 89lm/W   NW 99lm/W   W 92lm/W | WW 99lm/W   NW 107lm/W   W 103lm/W |
| Beam Angle:         | 110 Degrees  |                                  |                                    |
| Dimmable:           | Yes (TRIAC)  |                                  |                                    |
| Power Supply:       | In Built Dimmable  |                                  |                                    |
| Power Factor        | >0.9   |                                  |                                    |
| Input Voltage       | AC 220 - 240V  |                                  |                                    |
| Frequency           | 50 Hz  |                                  |                                    |
| Average Life:       | 50,000 hrs**   |                                  |                                    |
| Dimensions : Base : | Diameter 95mm   Depth 38mm***                                | Diameter 110mm   Depth 38mm***   | Diameter 148mm   Depth 38mm***     |
| Cut Out             | 70mm   | 90mm                             | 120mm                              |
| Weight              | 0.147kg  | 0.17kg                           | 0.232kg                            |
| Operating Temp      | -20°C to 45°C  |                                  |                                    |
| Compliance          | SAA, C-TICK, IC-4  |                                  |                                    |
| Connection          | 600mm Flex & Plug  |                                  |                                    |
| LED Chip Brand      | SMD2835  |                                  |                                    |
| Materials:          | PC Diffuser, White Aluminium Coated Plastic Housing          |                                  |                                    |
| Kit Includes        | 1x LED Downlight<br>1x Dimmable Driver with 0.6m Flex & Plug |                                  |                                    |



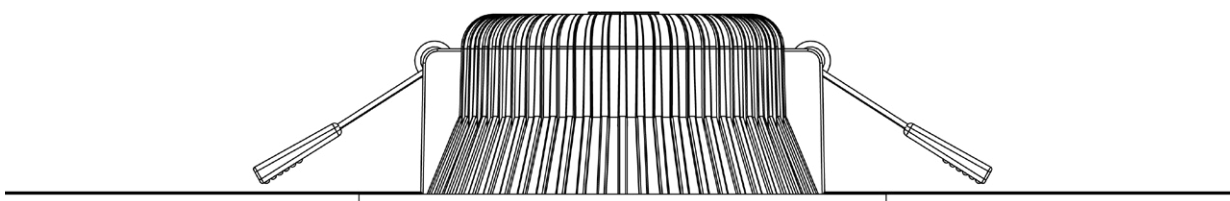
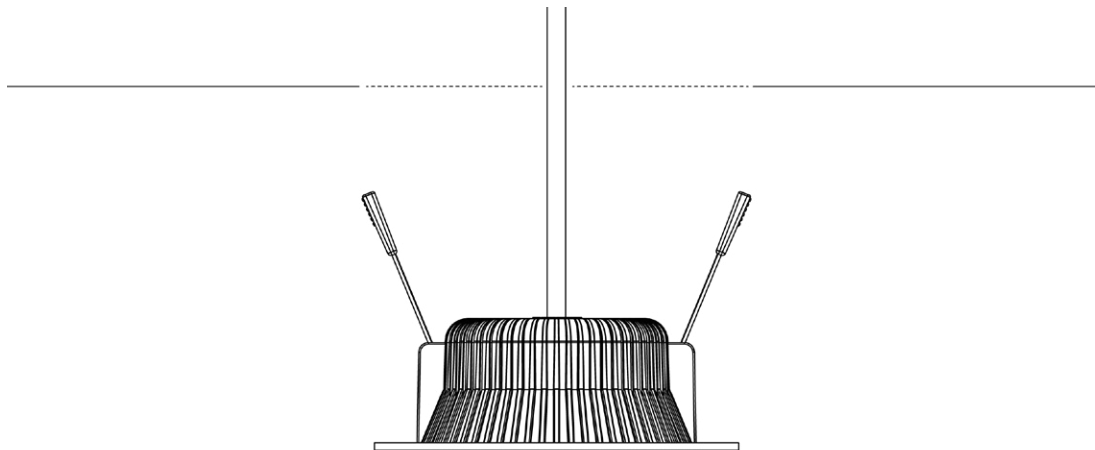
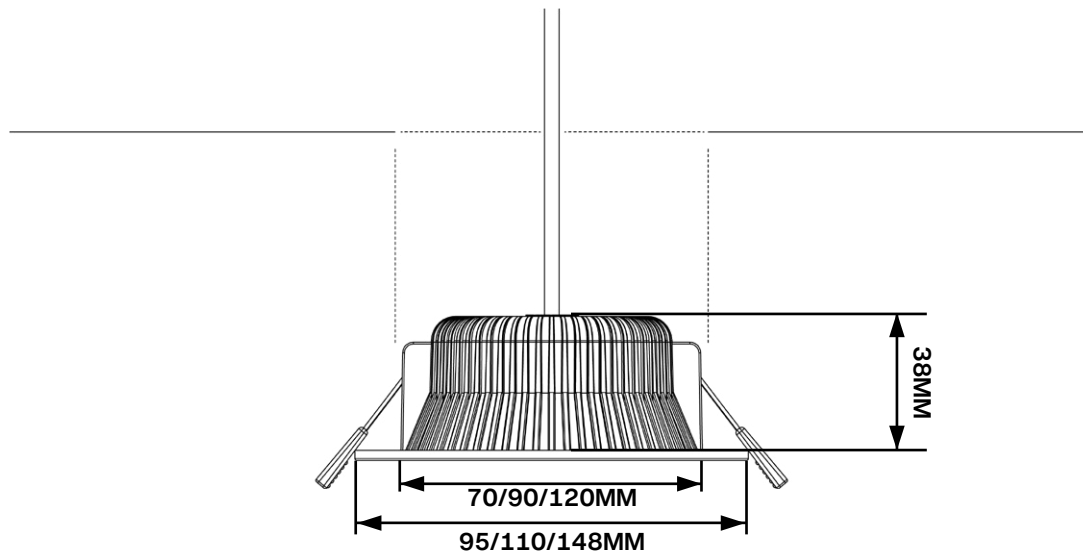
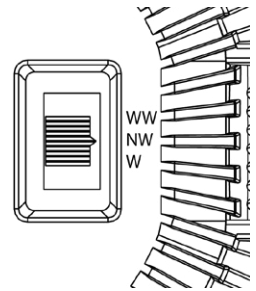
\*Total power consumed including driver

\*\* Average life is calculated on expected average lifespan

\*\*\*Total depth measured from front of mounting surface to top of downlight

## INSTALLATION GUIDE

1. Before commencing installation or maintenance, ensure electricity is switched off at the mains
2. Remove existing downlight and disconnect old transformer OR for new installations mark and cut out a hole in ceiling (70mm for MR7, 90mm for MR8, 120mm for MR12)
3. Set the desired colour output with the "selector switch" on the back of the downlight head (see picture beside)
4. Plug unit into a suitable surface socket OR connect the rapid connector onto the cable
5. Carefully bend spring clips upwards and install new LED downlight



**FREE**  
**ONSITE WARRANTY**

EXCLUSIVE TO  
MEMBERS ONLY



**FREE ONSITE WARRANTY FOR 3 YEARS**  
**INCLUDES PARTS & LABOUR**

---

*In conjunction with your standard product warranty*