






Floreat

The Floreat is a weatherproof twin head surface-mount LED emergency flood light. Perfect for indoor or outdoor applications.



Features

-  IP65 weatherproof
-  LiFePO₄ Lithium Battery

			
ORDER CODE	FLOREAT-EM	FLOREAT-ST	FLOREAT-LR
WARRANTY	3 Years	5 Years	5 Years
TRADITIONAL DROP TEST	✓	✓	✓
APP SCHEDULED TESTING		✓	✓
REMOTE SCHEDULED TESTING			✓



Download the Elumen app



Device Specifications

OPERATIONAL INFORMATION

VOLTAGE	220 - 240VAC
FREQUENCY	50Hz
CRI	80
POWER CONSUMPTION	2.5W max 0.5W standby
IK RATING	IK10
AMBIENT TEMPERATURE	1°C - 40°C
IP RATING	IP65
MOUNTING TYPE	Surface Mount
OPERATING MODE	Non-Maintained
CHARGER TYPE	Smart Charger
PROJECTED LIGHT SOURCE LIFE	100,000 hours

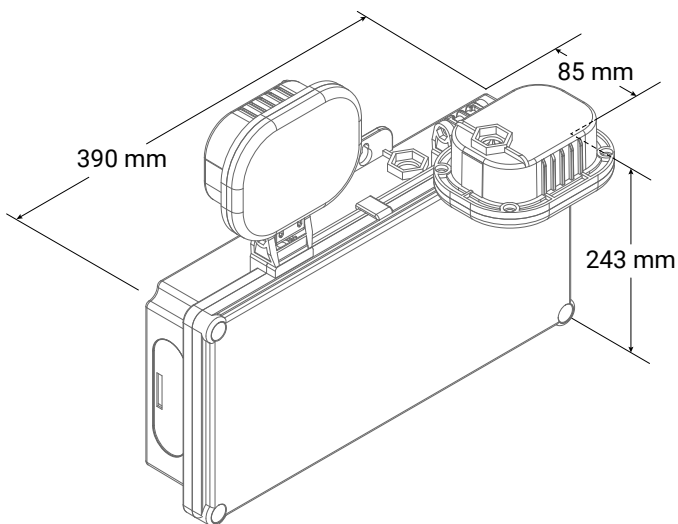
CONSTRUCTION, DIMENSIONS AND WEIGHT

CONSTRUCTION	Polycarbonate
DIMENSIONS	300mm x 294mm x 82mm
WEIGHT	1.05kg
CARTON QTY	4
CARTON DIMENSIONS	330mm x 310mm x 320mm
CARTON WEIGHT	6kg

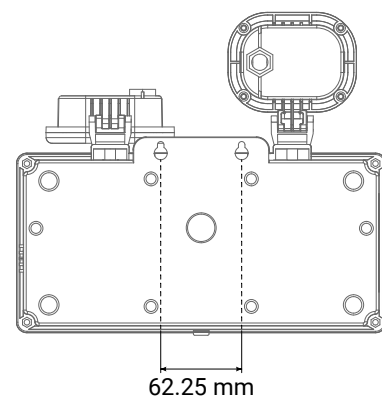
COMPLIANCE AND TESTING

STANDARDS	AS/NZS 2293.3 AS/NZS 60598.2.2 AS/NZS CISPR 15
-----------	--

Product Drawing



ORTHOGRAPHIC DRAWING



MOUNTING INFORMATION