

Ocean (non-emergency)

The Ocean is a surface-mount tri-colour LED oyster light perfect for corridors and common areas. Available in non-emergency, emergency and self-testing. Optional Beacon & sensor modules available for energy-saving applications.



Features

- 1,785 Lumens
- Tri-Colour

Accessories

- BEACON-MODULE
- SENSOR-MODULE



Download the Elumen app



Device Specifications

OPERATIONAL INFORMATION

VOLTAGE	220 - 240VAC
FREQUENCY	50Hz
LUMINOUS FLUX	1785lm
POWER CONSUMPTION	24W
AMBIENT TEMPERATURE	1°C - 40°C
IP RATING	IP20
COLOUR TEMPERATURE	3,000°K / 4,000° K / 5,000°K
MOUNTING TYPE	Surface Ceiling Mount
OPERATING MODE	Switch Controlled
PROJECTED LED LIGHT SOURCE LIFE	100,000 Hours

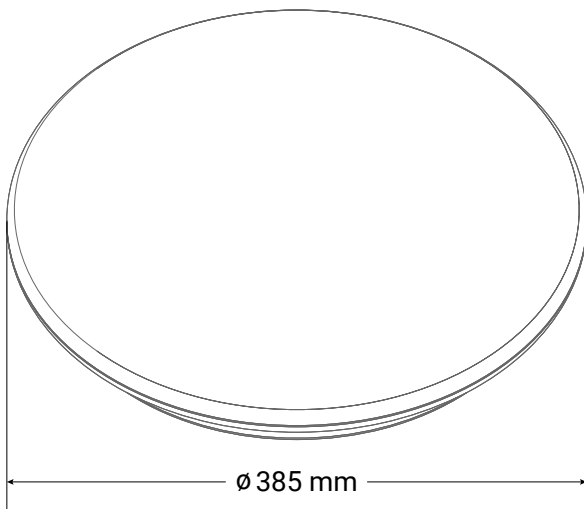
CONSTRUCTION, DIMENSIONS AND WEIGHT

CONSTRUCTION	Poly Carbonate Diffuser & Powder Coated Steel Body
WEIGHT	1.1kg
CARTON QUANTITY	5
CARTON DIMENSIONS	630mm x 410mm x 410mm
CARTON WEIGHT	8.5kg

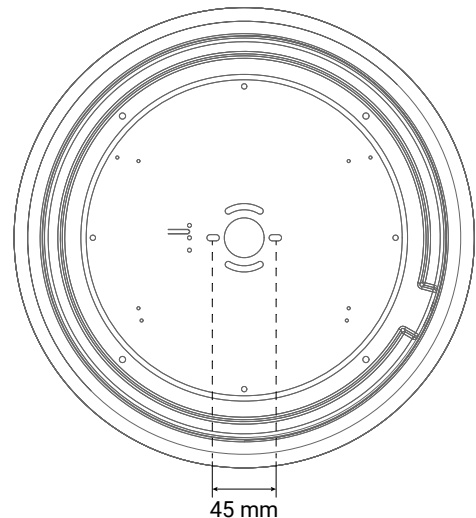
COMPLIANCE AND TESTING

STANDARDS	AS/NZS 60598.2.22 AS/NZS CISPR 15
-----------	--------------------------------------

Product Drawing



ORTHOGRAPHIC DRAWING



MOUNTING INFORMATION