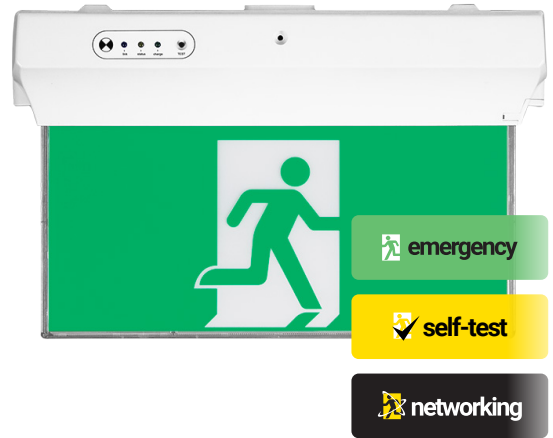


Maslin

The Maslin is a LED surface-mount blade exit light with built-in side LEDs for emergency lighting coverage.

This product comes in a theatre variant as well (denoted by the order code BLK), which is perfect for use in darker environments.



Features

- 24m viewing distance
- All directional decals included
- LiFePO₄ Lithium Battery

Accessories

- Green Decals: PIC-EX-BLADE
- Black Decals: PIX-EX-BLADE-BLK

	emergency	self-test	networking
ORDER CODE	MASLIN-EM MASLIN-BLK-EM	MASLIN-ST MASLIN-BLK-ST	MASLIN-LR MASLIN-BLK-LR
WARRANTY	3 Years	5 Years	5 Years
TRADITIONAL DROP TEST	✓	✓	✓
APP SCHEDULED TESTING		✓	✓
REMOTE SCHEDULED TESTING			✓



Download the Elumen app



Device Specifications

OPERATIONAL INFORMATION

VOLTAGE	220 - 240VAC
FREQUENCY	50Hz
CRI	80
POWER CONSUMPTION	7W
RATED DURATION	> 2 hours
AMBIENT TEMPERATURE	1°C - 40°C
IP RATING	IP20
MOUNTING TYPE	Surface Mounting
OPERATING MODE	Maintained
EMERGENCY LIGHT SOURCE LIFE	100,000 hours

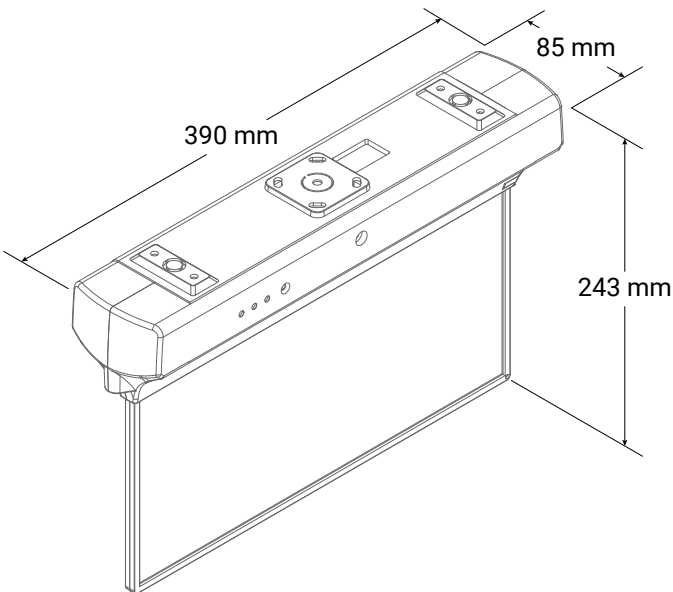
CONSTRUCTION, DIMENSIONS AND WEIGHT

CONSTRUCTION	Polycarbonate with Acrylic Decal
PRODUCT WEIGHT	1.25kg
CARTON QUANTITY	8
CARTON DIMENSIONS	405mm x 370mm x 532mm
CARTON WEIGHT	11kg

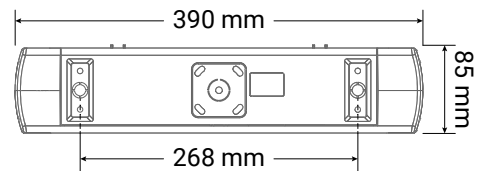
COMPLIANCE AND TESTING

STANDARDS	AS/NZS 2293.3
	AS/NZS 60598.2.2
	AS/NZS CISPR 15
EMERGENCY CLASSIFICATION	C0: D40
	C90: D16

Product Drawing



ORTHOGRAPHIC DRAWING



MOUNTING INFORMATION