





Whale

The Whale is a robust LED surface-mount IP65 weatherproof exit light suitable for outdoor use.



Features

-  24m viewing distance
-  1x running man decal included
-  IP65 weatherproof
-  LiFePO₄ Lithium Battery

Accessories

- L Arrow Decal: PIC-EX-L-WHALE
- R Arrow Decal: PIC-EX-R-WHALE
- Run Decal: PIC-EX-RUN-WHALE



ORDER CODE	WHALE-EM	WHALE-ST	WHALE-LR
WARRANTY	3 Years	5 Years	5 Years
TRADITIONAL DROP TEST	✓	✓	✓
APP SCHEDULED TESTING		✓	✓
REMOTE SCHEDULED TESTING			✓



Download the Elumen app



Device Specifications

OPERATIONAL INFORMATION

VOLTAGE	220 - 240VAC
FREQUENCY	50Hz
CRI	80
POWER CONSUMPTION	6W
RATED DURATION	> 2 hours
AMBIENT TEMPERATURE	1°C - 40°C
IP RATING	IP65
MOUNTING TYPE	Surface Mount
OPERATING MODE	Maintained
CHARGER TYPE	Smart Charger
EMERGENCY LIGHT SOURCE LIFE	100,000 hours

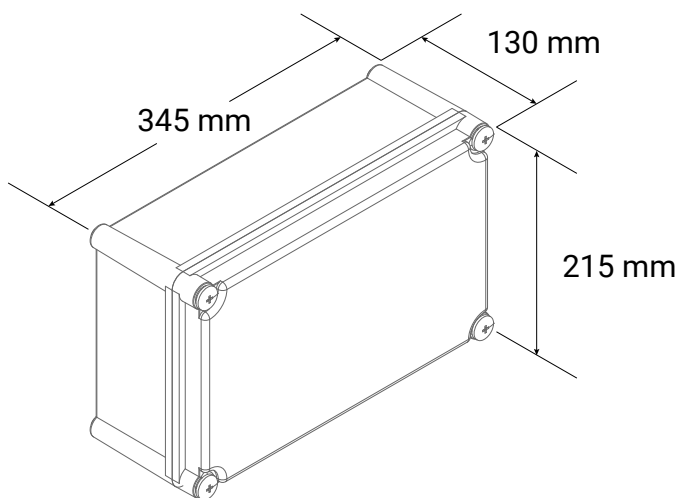
CONSTRUCTION, DIMENSIONS AND WEIGHT

CONSTRUCTION	Polycarbonate
WEIGHT	1.9kg
CARTON QTY	8
CARTON DIMENSIONS	720mm x 540mm x 250mm
CARTON WEIGHT	16.8kg

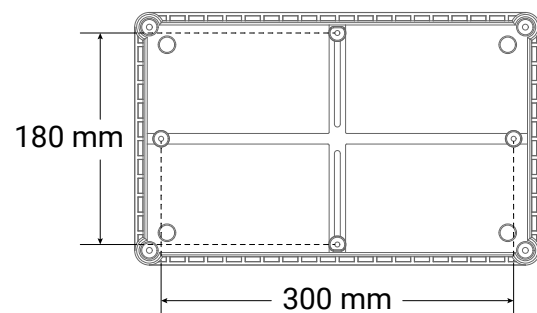
COMPLIANCE AND TESTING

STANDARDS	AS/NZS 2293.3
	AS/NZS 60598.2.2
	AS/NZS CISPR 15
EMERGENCY CLASSIFICATION	C0: C8
	C90: C8

Product Drawing



ORTHOGRAPHIC DRAWING



MOUNTING INFORMATION